

SIRUBA		Series		Remark		Page	Date					
GAGE PARTS LIST		VC008		*VPT.:適用於VC008-12XXX *VSF.:適用於VC008-0448/0464 *VWL.:適用於VC008-04XXX		1 / 6	2013/05/13					
機 型 MODEL	規格 SVB CLASS	種 類 NEEDLE GAUGE	針 座 NEEDLE HOLDER	針 板 NEEDLE PLATE	送 具 FEED DOG	押 具 PRESSER FOOT	撥 線 軸 RETAINER HOLDER	勾 針 LOOPER	護 針 片 NEEDLE GUARD	勾 針 座 LOOPER HOLDER	勾 針 座 台 LOOPER HOLDER BLOCK	針 號 NEEDLE
VC008-02/VMR	064P	1/4"	M9002	E9002D	D9002	P9002	R9002	VE51	VE49	L9002	VE11Q	UX0113GS #11~#14
	064P	3/4"	M9004	E9004D	D9004	P9004	R9004	VE51	VE49	L9004	VE11Q	UX0113GS #11~#14
	085P	1"	M9104	E9104D	D9104	P9104	R9104	VE51	VE49	L9104	VE11Q	UX0113GS #11~#14
	095P	1 1/8"	M9204	E9204D	D9204	P9204	R9204	VE51	VE49	L9204	VE11Q	UX0113GS #11~#14
VC008-04	106P	1 1/4"	M9304	E9304D	D9304	P9304	R9304	VE51	VE49	L9304	VE11Q	UX0113GS #11~#14
	127P	1 1/2"	M9404	E9404D	D9404	P9404	R9404	VE51	VE49	L9404	VE11Q	UX0113GS #11~#14
	064P	3/4"	M9004	E9004D	D9004P	P9004	VUT109P	VE51	VE49	L9004	VE11Q	UX0113GS #11~#14
	085P	1"	M9104	E9104D	D9104P	P9104	VUT109P	VE51	VE49	L9104	VE11Q	UX0113GS #11~#14
VC008-04/VUT	095P	1 1/8"	M9204	E9204D	D9204P	P9204	VUT109P	VE51	VE49	L9204	VE11Q	UX0113GS #11~#14
	106P	1 1/4"	M9304	E9304D	D9304P	P9304	VUT109P	VE51	VE49	L9304	VE11Q	UX0113GS #11~#14

SIRUBA		Series		Remark		Page	Date					
GAGE PARTS LIST		VC008		*VPT.:適用於VC008-12XXX *VSF.:適用於VC008-0448/0464 *VWL.:適用於VC008-04XXX		2 / 6	2013/05/13					
機 型 MODEL	規格 SVB CLASS	種 類 NEEDLE GAUGE	針 座 NEEDLE HOLDER	針 板 NEEDLE PLATE	送 具 FEED DOG	押 具 PRESSER FOOT	撥線軸 RETAINER HOLDER	勾 針 LOOPER	護針片 NEEDLE GUARD	勾針座 LOOPER HOLDER	勾針座台 LOOPER HOLDER BLOCK	針 號 NEEDLE
VC008-04/VUT	127P	1 1/2"	M9404	E9404D	D9404P	P9404	VUT109P	VE51	VE49	L9404	VE11Q	UOX113GS #11~#14
	64P	1/4"	M9213	E9213	D9213	P9213D	R9213	VE51	VE49	L9002	VE11Q	UOX113GS*4 #11~#14
VC008-04A32	032P	(1/4-1/8-1/8 1/4)*3	M9113	E9113	D9113	P9113D	R9113	VE51T	VE49T	L9119T-E	VE11Q	UOX113GS #11~#14
	191P	3/16-3/4-3/16"	M9504A	E9504E	D9504A	P9504A	R9504A	VE51	VE49	L9504A	VE11Q	UOX113GS #11~#14
	222P	3/16-7/8-3/16"	M9204A	E9204E	D9204A	P9204A	R9204A	VE51	VE49	L9204A	VE11Q	UOX113GS #11~#14
VC008-0448	254P	3/16-1-3/16"	M9404A	E9404E	D9404A	P9404A	R9404A	VE51	VE49	L9404A	VE11Q	UOX113GS #11~#14
	254P	3/16-1-3/16"	M9404A	E9404E	D9404A	P9404A	R9404A	VE51	VE49	L9404A	VE11Q	UOX113GS #11~#14
	191P	1/4-3/4-1/4"	M9304A	E9304E	D9304A	P9304A	R9304A	VE51	VE49	L9304A	VE11Q	UOX113GS #11~#14
VC008-0448 /VSF	254P	3/16-1-3/16"	M9404A	E9404E	D9404A	P9404A	R9404A	VE51	VE49	L9404A	VE11Q	UOX113GS #11~#14
	127P	1/4-1/2-1/4"	M9004A	E9004E	D9004A	P9004A	R9004A	VE51	VE49	L9004A	VE11Q	UOX113GS #11~#14
VC008-0464	254P	1/4-1-1/4"	M9104A	E9104E	D9104A	P9104A	R9104A	VE51	VE49	L9104A	VE11Q	UOX113GS #11~#14
	048P	3/16"	M9012	E9012	D9012	P9412D	R9012	VE51	VE49	L9012	VE11Q	UOX113GS #11~#14

# SIRUBA

## GAGE PARTS LIST

### Series VC008

\*VPT.:適用於VC008-12XXX  
 \*VSF.:適用於VC008-0448/0464  
 \*VWL.:適用於VC008-04XXX

Remark applicable to VC008-12XXX  
 applicable to VC008-0448/0464  
 applicable to VC008-04XXX

Page 3 / 6

Date 2013/06/22

機 型 MODEL	規格 SVB CLASS	種 類 NEEDLE GAUGE	針 座 NEEDLE HOLDER	針板 NEEDLE PLATE	送 具 FEED DOG	押 具 PRESSER FOOT	撥線軸 RETAINER HOLDER	勾 針 LOOPER	護針片 NEEDLE GUARD	勾針座 LOOPER HOLDER	勾針座台 LOOPER HOLDER BLOCK	針 號 NEEDLE
VC008-06/VPQ	064P	1/4"	M9112	E9112	D9112	P9512D	R9112	VE51	VE49	L9112	VE11Q	UOX113GS #11~#14
	064P	1/2"	M9112	E9112	D9112	P9512B	R9112	VE51	VE49	L9112	VE11Q	UOX113GS #11~#14
VC008-06/VP L	064P	1/2"	M9112	E9112	D9112	P9512B	R9112	VE51	VE49	L9112	VE11Q	UOX113GS #11~#14
VC008-06/VUT	064P	1/4"	M9112	E9112	D9112	P9112D	VUT109P	VE51	VE49	L9112	VE11Q	UOX113GS #11~#14
VC008-06	048P	3/16"	M9012	E9012	D9012	P9412D	R9012	VE51	VE49	L9012	VE11Q	UOX113GS #11~#14
VC008-08/VUT	064P	1/4"	M9108	E9108	D9108	P9108	VUT109P	VE51	VE49	L9112	VE11Q	UOX113GS #11~#14
VC008-1132	064P	1/8-1/4-1/8"	M9313	E9211	D9211JK	P9211-A P9211A-A	R9313	VE51T	VE49T	L9113T-E	VE11Q	UOX113GS #11~#14
VC008-12	048P	3/16"	M9012	E9012	D9012	P9012D	R9012	VE51	VE49	L9012	VE11Q	UOX113GS #11~#14
	050P	5mm	M9612	E9612	D9612	P9612D	R9612	VE51	VE49	L9612	VE11Q	UOX113GS #11~#14
	064P	1/4"	M9112	E9112	D9112	P9112D	R9112	VE51	VE49	L9112	VE11Q	UOX113GS #11~#14
VC008-12/VPQ	064P	1/4"	M9112	E9312	D9312	P9312	R9112	VE51Q	VE49	L9112	VE11Q	UOX113GS #11~#14
	048P	3/16"	M9012	E9212	D9212	P9212	R9012	VE51Q	VE49	L9012	VE11Q	UOX113GS #11~#14

# SIRUJAF

## GAGE PARTS LIST

Series  
**VC008**

\*VPT:適用於VC008-12XXX  
\*VSF:適用於VC008-0448/0464  
\*VWL:適用於VC008-04XXX

Remark  
applicable to VC008-12XXX  
applicable to VC008-0448/0464  
applicable to VC008-04XXX

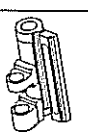
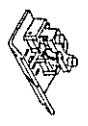
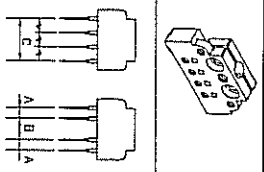
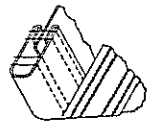
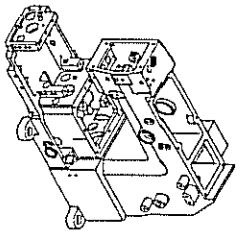
Page

4 / 6

Date

2013/05/13

機 型 MODEL	規格 SVB CLASS	種 類 NEEDLE GAUGE	針 座 NEEDLE HOLDER	針 板 NEEDLE PLATE	送 具 FEED DOG	押 具 PRESSER FOOT	撥 線 軸 RETAINER HOLDER	勾 針 LOOPER	護 針 片 NEEDLE GUARD	勾 針 座 LOOPER HOLDER	勾 針 座 台 LOOPER HOLDER BLOCK	針 號 NEEDLE
VC008-12/VPQK	064P	1/4"	M9112	E9312	D9312	P9312	R9112	VE51Q	VE49	L9112	VE11Q	UXOX1136S #11~#14
	048P	3/16"	M9012	E9212	D9212	P9212	R9012	VE51Q	VE49	L9012	VE11Q	UXOX1136S #11~#14
VC008-12/VPS	048P	3/16"	M9012	E9212A	D9212	P9212B	—	VSM47	—	L9012	VE11Q	DV-K25 #18~#21
	064P	1/4"	M9112	E9312A	D9312	P9312B	—	VSM47	—	L9112	VE11Q	DV-K25 #18~#21
VC008-12/VPL	064P	1/4"	M9112	E9112	D9112	P9712D	R9112	VE51	VE49	L9112	VE11Q	UXOX1136S #11~#14
	048P	3/16"	M9012	E9012	D9012	P9012D	R9012	VE51	VE49	L9012	VE11Q	UXOX1136S #11~#14
VC008-12/VP1	064P	1/4"	M9112	E9112	D9112	P9112D	R9112	VE51	VE49	L9112	VE11Q	UXOX1136S #11~#14
	048P	3/16"	M9012	E9012	D9012	P9012B	R9012	VE51	VE49	L9012	VE11Q	DVX57 #11~#18
VC008-12/VSM	064P	1/4"	M9112	E9112	D9112	P9312B	R9112	VE51	VE49	L9112	VE11Q	DV-K25 #18~#25
	048P	3/16"	M9012	E9212A	D9212	P9212B	—	VSM47	VE49	L9012	VE11Q	DV-K25 #18~#25
VC008-12/VSQ	064P	1/4"	M9112	E9312A	D9312	P9312B	—	VSM47	VE49	L9112	VE11Q	DV-K25 #18~#25
	048P	3/16"	M9012	E9212A	D9212	P9212B	—	VSM47	VE49	L9012	VE11Q	DV-K25 #18~#25



# SIRUBA

## GAGE PARTS LIST

Series  
**VC008**

\*VPT:適用於VC008-12XXX  
 \*VSF:適用於VC008-0448/0464  
 \*VWL:適用於VC008-04XXX

Remark  
 applicable to VC008-12XXX  
 applicable to VC008-0448/0464  
 applicable to VC008-04XXX

Page  
5 / 6

Date  
2013/06/04

機 型 MODEL	規格 SVB CLASS	種 類 NEEDLE GAUGE	針 座 NEEDLE HOLDER	針 板 NEEDLE PLATE	送 具 FEED DOG	押 具 PRESSER FOOT	撥 線 軸 RETAINER HOLDER	勾 針 LOOPER	護 針 片 NEEDLE GUARD	勾 針 座 LOOPER HOLDER	勾 針 座 台 LOOPER HOLDER BLOCK	針 號 NEEDLE
VC008-12/VSSM	048P	3/16"	M9012	E9212	D9212	P9212B	R9012	VE51Q	VE49	L9012	VE11Q	DVX57 #11~#18
VC008-12/VSSM	064P	1/4"	M9112	E9312	D9312	P9312B	R9112	VE51Q	VE49	L9112	VE11Q	DVX57 #11~#18
VC008-12/VUT	050P	5mm	M9612	E9612	D9612P	P9612D	VUT109P	VE51	VE49	L9612	VE11Q	UOX113GS #11~#14
VC008-12/VSC	064P	1/4"	M9112	E9112E	D9112E	P9112D	R9112	VE51	VE49	L9112	VE11Q	UOX113GS #11~#14
VC008-12A32	032P	1/4-1/8-1/8 1/4)*3	M9113	E9113	D9113	P9113D	R9113	VE51T	VE49T	L9119T-E	VE11Q	UOX113GS #11~#14
VC008-12A	64P	1/4"	M9213	E9213	D9213	P9213D	R9213	VE51	VE49	L9002	VE11Q	UOX113GS*6 #11~#14
VC008-13	032P	1/8"	M9313	E9313	D9313	P9313	R9313	VE51T	VE49T	L9113T-E	VE11Q	UOX113GS*4 #11~#14
	064P	1/4"	M9213	E9213	D9213	P9213D	R9213	VE51	VE49	L9213	VE11Q	UOX113GS*4 #11~#14
VC008-1332	032P	1/4-1/8-1/8 1/4)*3	M9113	E9113	D9113	P9113D	R9113	VE51T	VE49T	L9119T-E	VE11Q	UOX113GS*4 #11~#14
VC008-17	032P	1/8"	M9117	E9117A	D9117A	P9117	R9117	VE51T	VE49T	L9119T-E	VE11Q	UOX113GS*4 #11~#14
VC008-21	032P	1/8"	M9121	E9121B	D9121A	P9121	R9121	VE51T	VE49T	L9121T-E	VE11Q	UOX113GS*4 #11~#14



**SIRUBA**

PARTS LIST

Series

**VC008**

Parts Group

**VA**

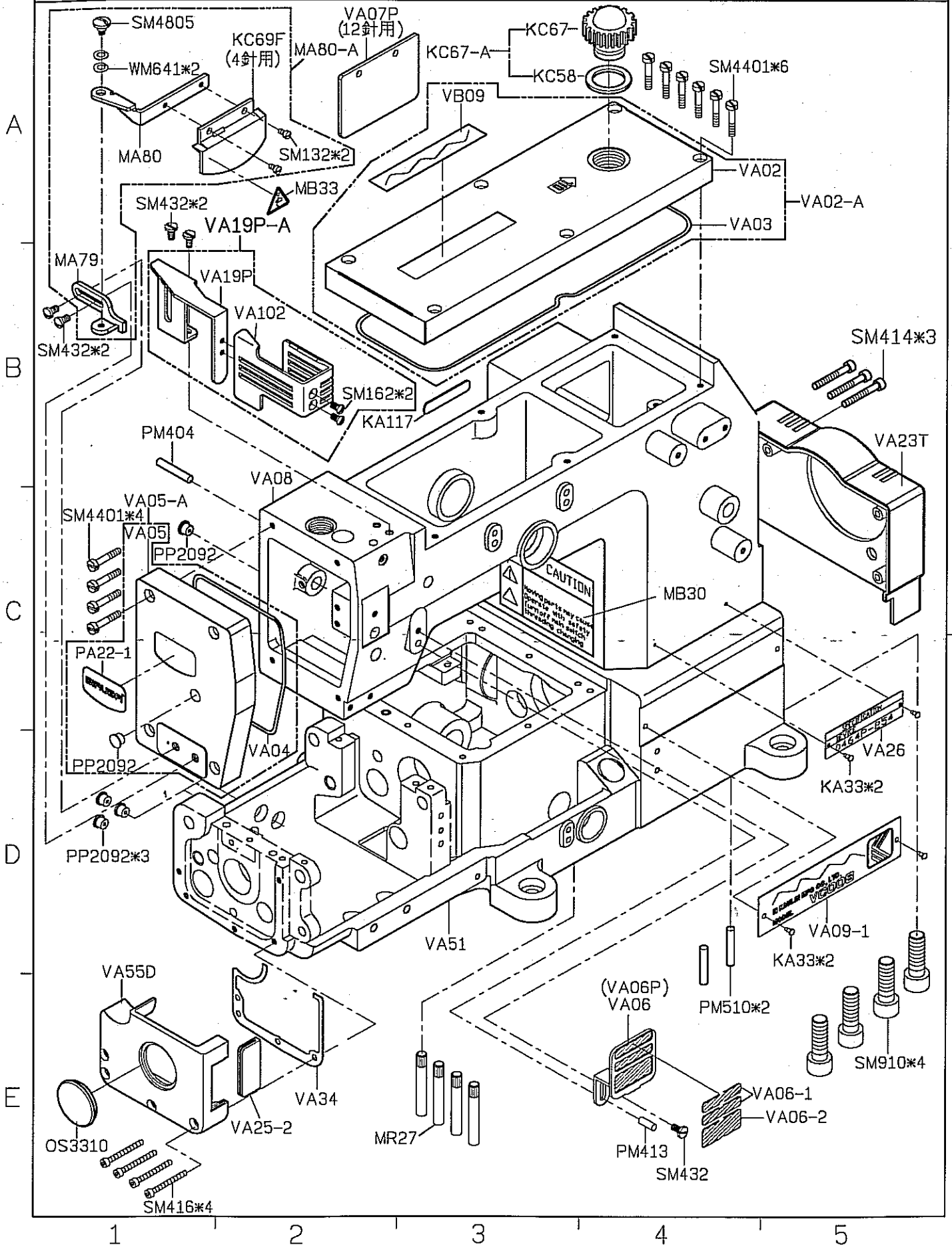
Subclass / Remark

Page

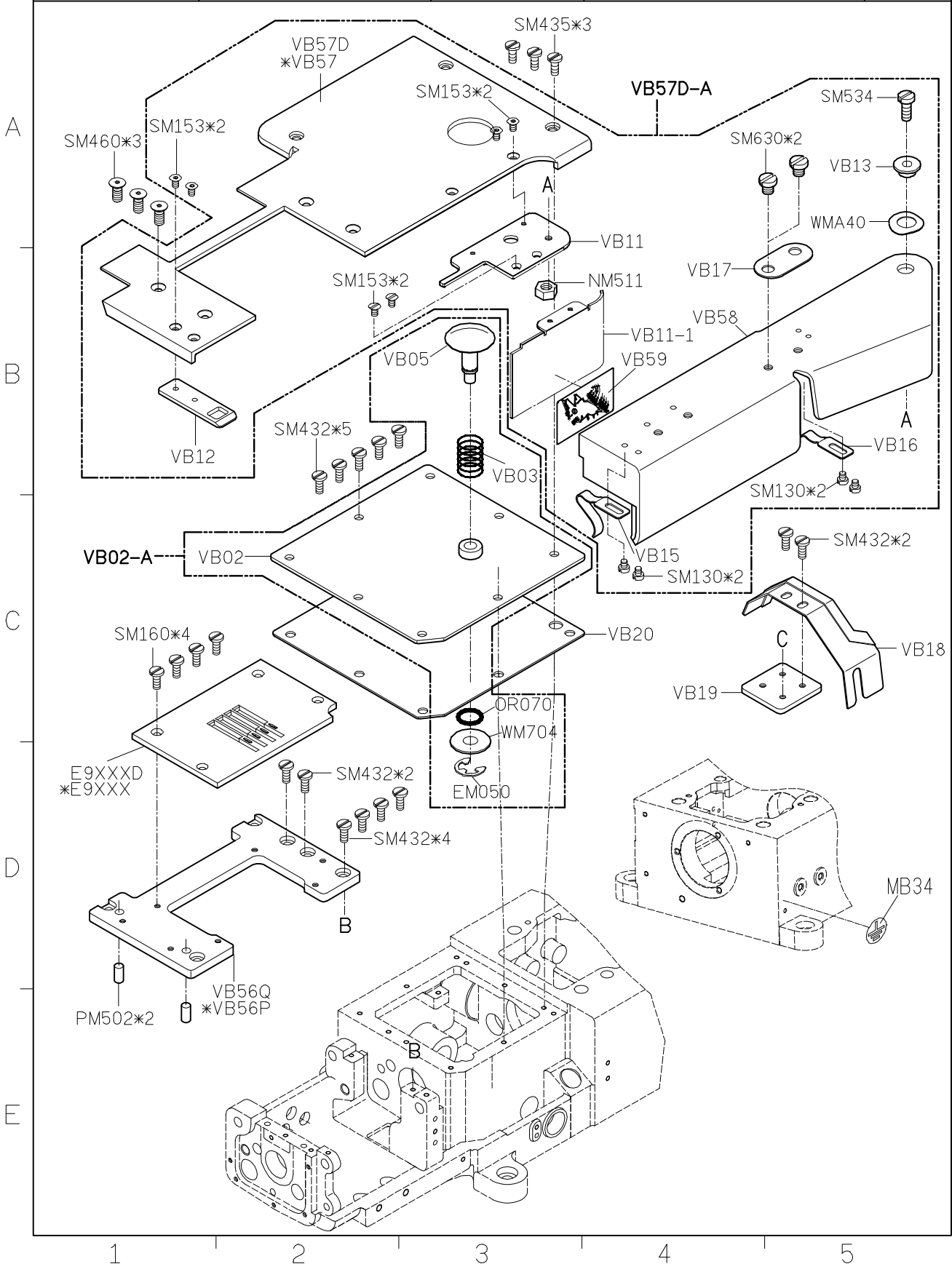
1/1

Date

2013/08/13



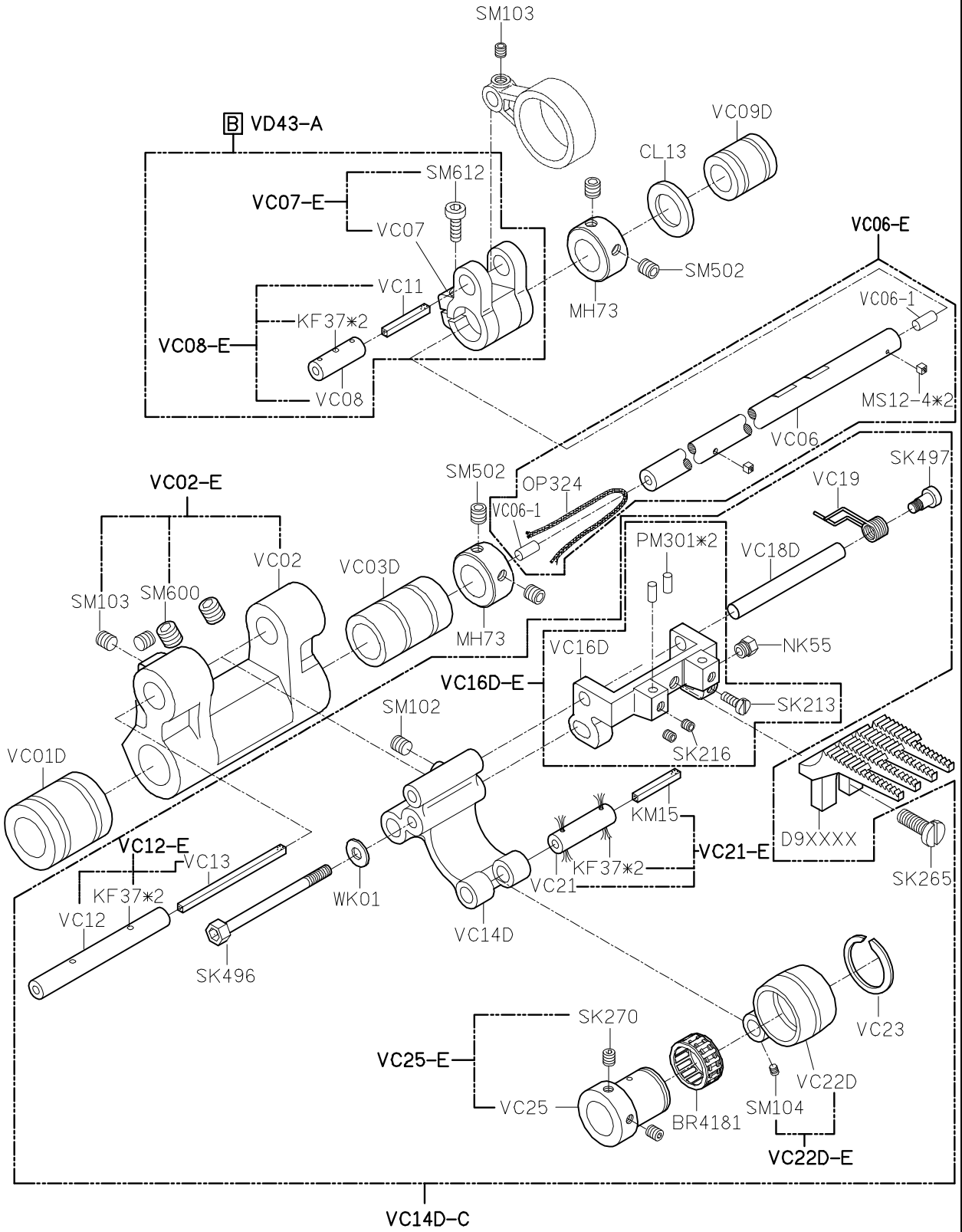
<b>SIRUBA</b> <b>PARTS LIST</b>	<b>Series</b>	<b>Parts Group</b>	<b>Subclass / Remark</b>	<b>Page</b>
	<b>VC008</b>	<b>VB</b>		1/1
				<b>Date</b>
				2012/08/30





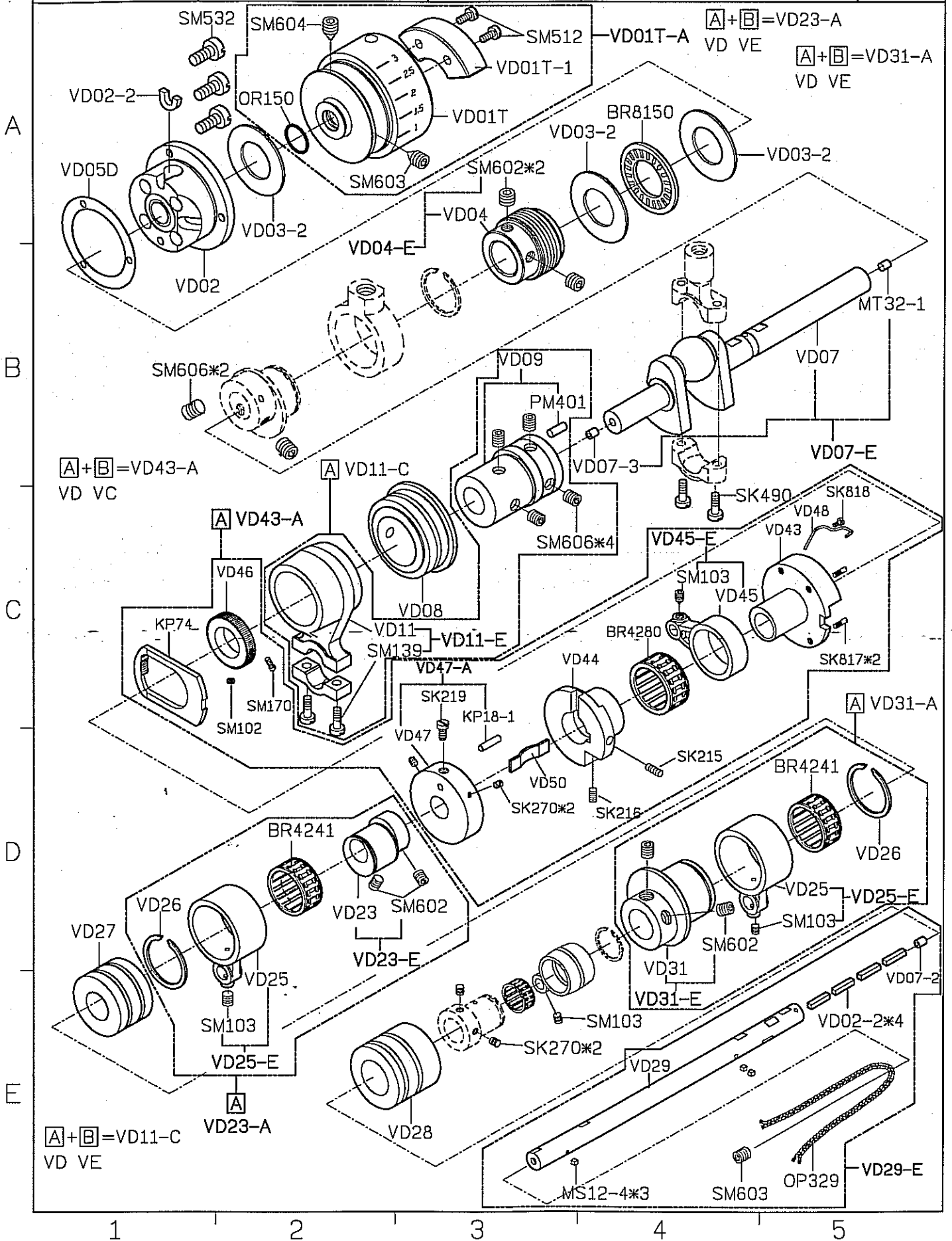
<b>SIRUBA</b> PARTS LIST	Series	Parts Group	Subclass / Remark	Page
	<b>VC008</b>	<b>VC</b>		1/1
				Date
				2012/08/23

A  
B  
C  
D  
E

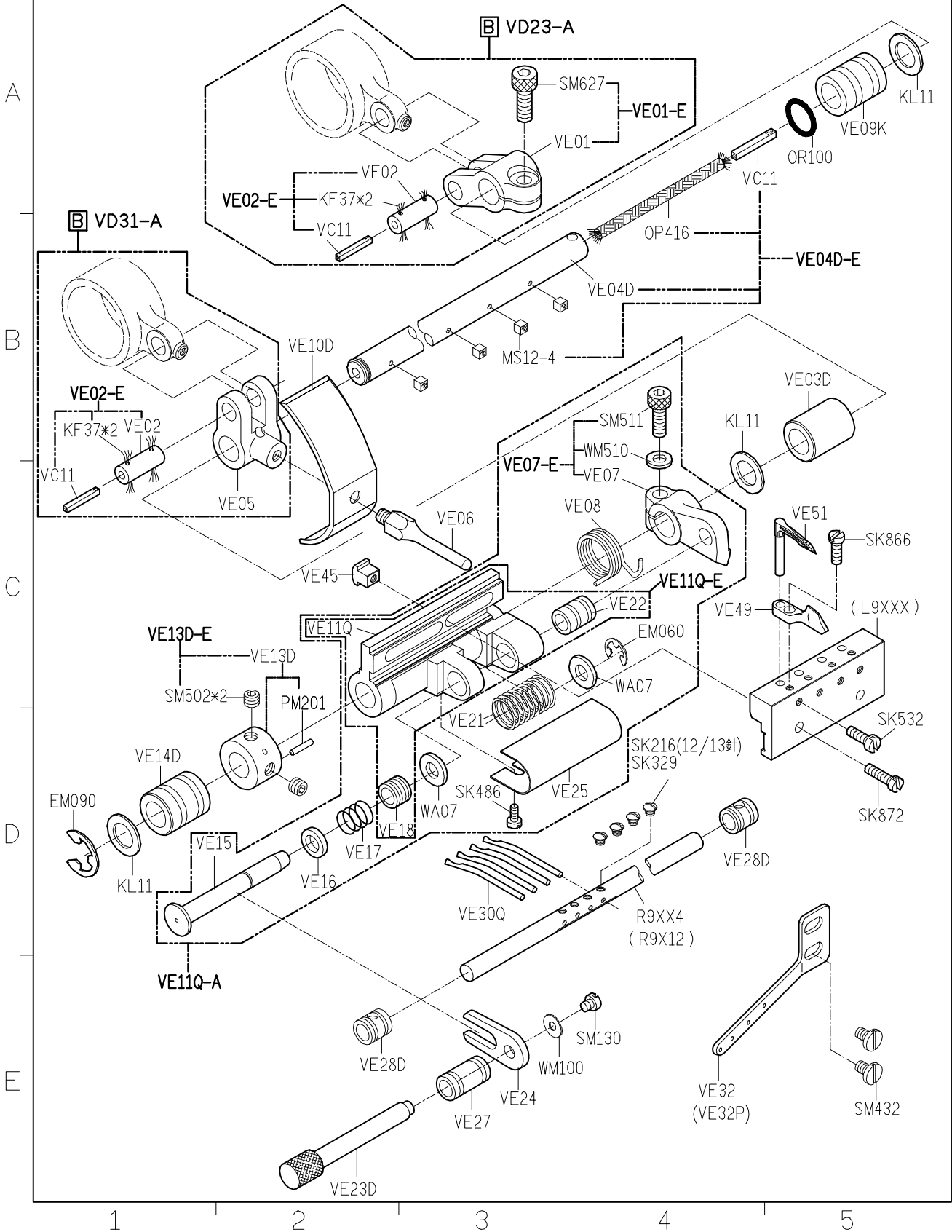


1 2 3 4 5

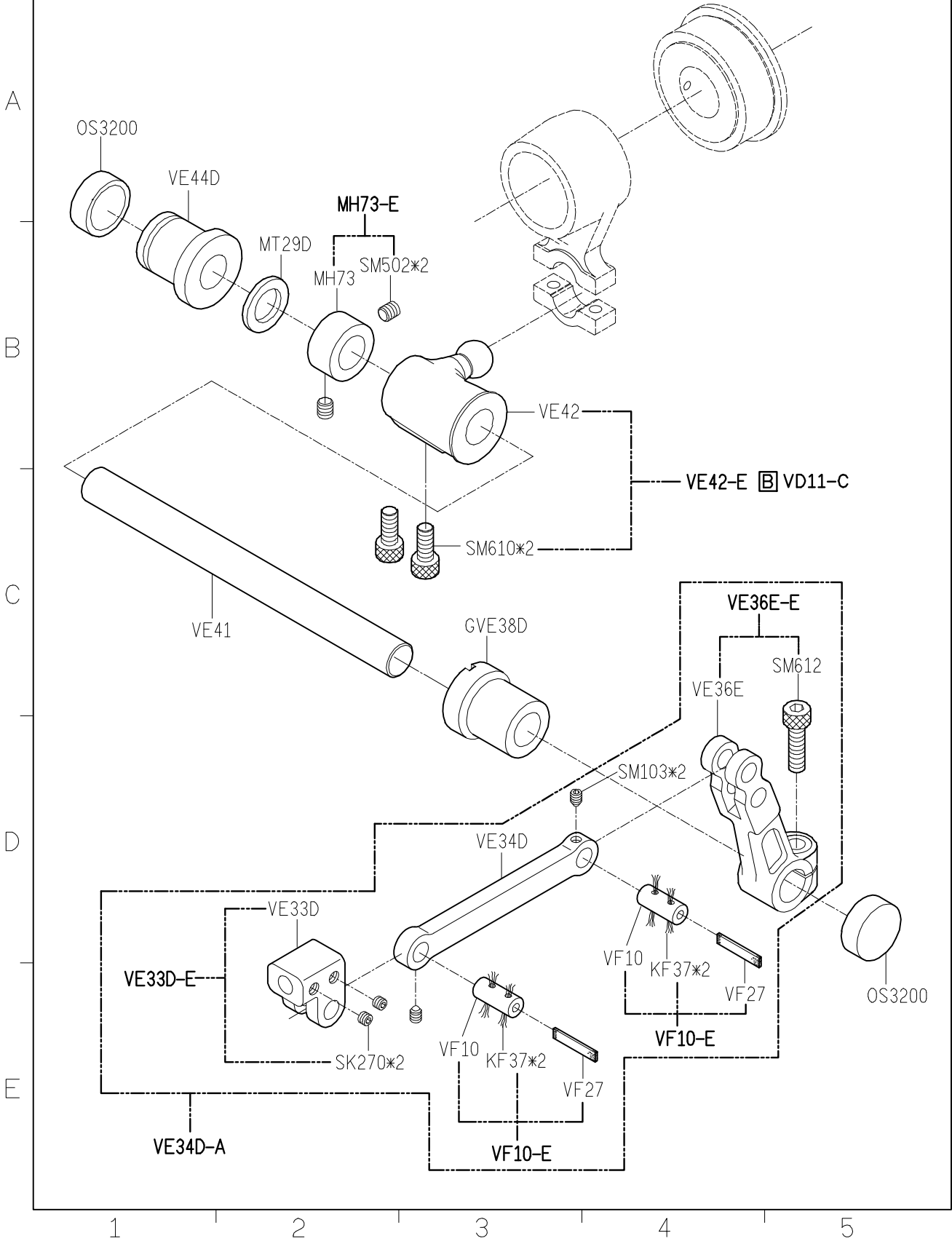
SIRUBA PARTS LIST	Series	Parts Group	Subclass / Remark	Page
	VC008	VD		1/1
				Date
				2013/08/13



<b>SIRUBA</b> <b>PARTS LIST</b>	<b>Series</b>	<b>Parts Group</b>	<b>Subclass / Remark</b>	<b>Page</b>
	<b>VC008</b>	<b>VE</b>		<b>1/4</b>
				<b>Date</b>
				<b>2012/12/10</b>



<b>SIRUBA</b> PARTS LIST	Series	Parts Group	Subclass / Remark	Page
	<b>VC008</b>	<b>VE</b>		2/4
				Date
				2012/08/23



<b>SIRUBA</b> <b>PARTS LIST</b>	<b>Series</b>	<b>Parts Group</b>	<b>Subclass / Remark</b>	<b>Page</b>
	<b>VC008</b>	<b>VE</b>		<b>3/4</b>
				<b>Date</b>
				<b>2012/12/10</b>

FOR 13~25 NEEDLE

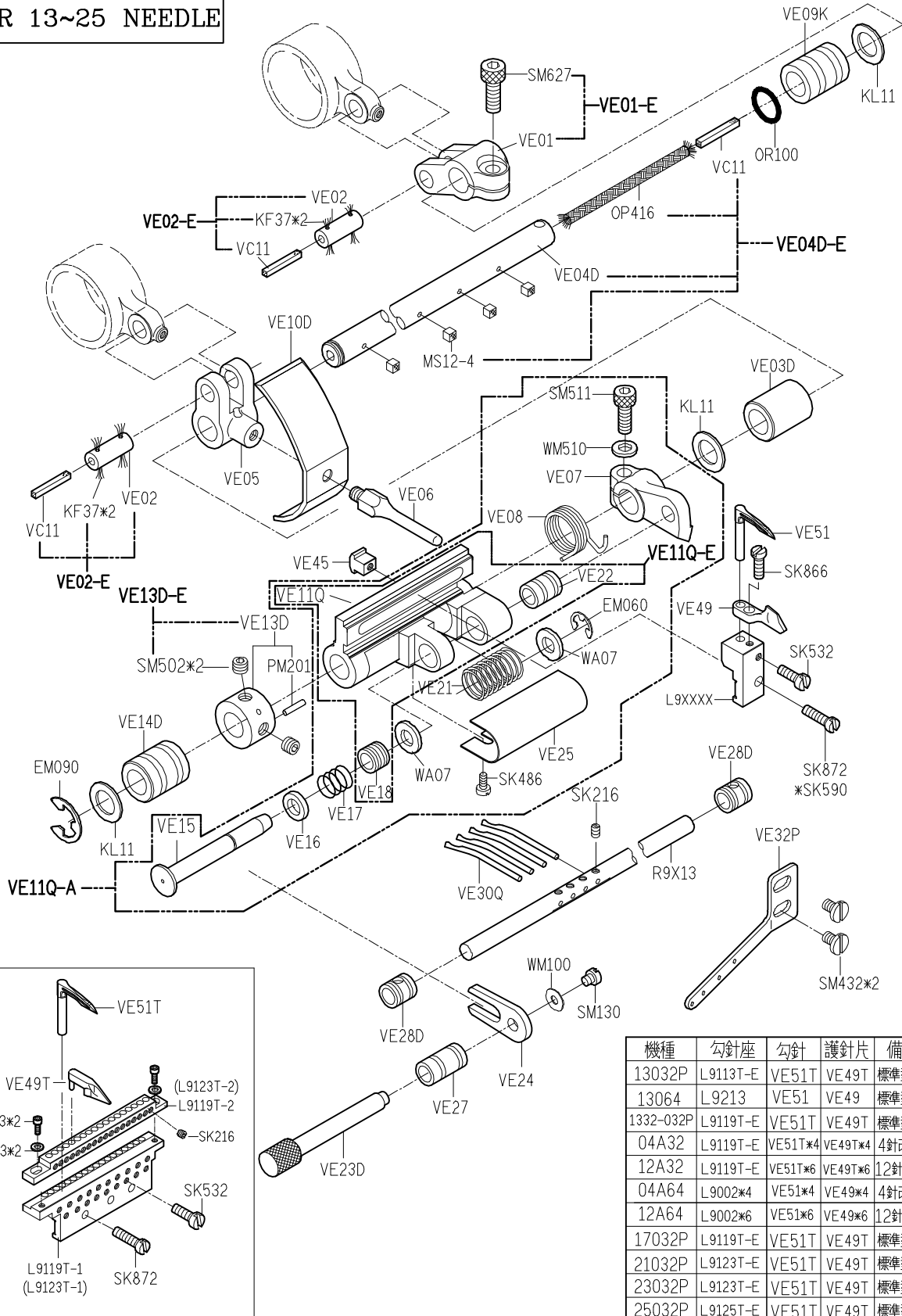
A

B

C

D

E



機種	勾針座	勾針	護針片	備註
13032P	L9113T-E	VE51T	VE49T	標準型13針
13064	L9213	VE51	VE49	標準型13針
1332-032P	L9119T-E	VE51T	VE49T	標準型13針
04A32	L9119T-E	VE51T*4	VE49T*4	4針改13針
12A32	L9119T-E	VE51T*6	VE49T*6	12針改13針
04A64	L9002*4	VE51*4	VE49*4	4針改13針
12A64	L9002*6	VE51*6	VE49*6	12針改13針
17032P	L9119T-E	VE51T	VE49T	標準型17針
21032P	L9123T-E	VE51T	VE49T	標準型21針
23032P	L9123T-E	VE51T	VE49T	標準型23針
25032P	L9125T-E	VE51T	VE49T	標準型25針

1

2

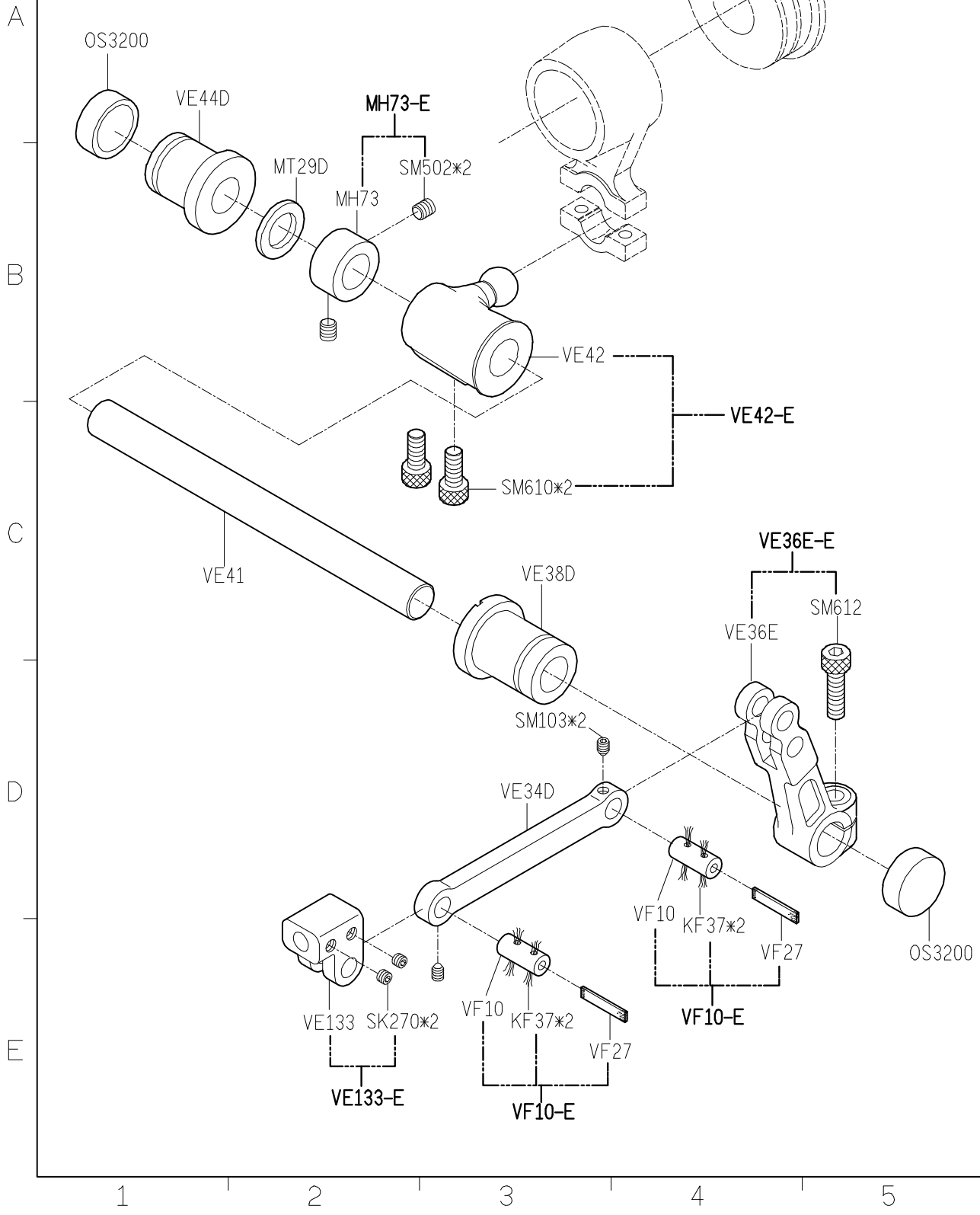
3

4

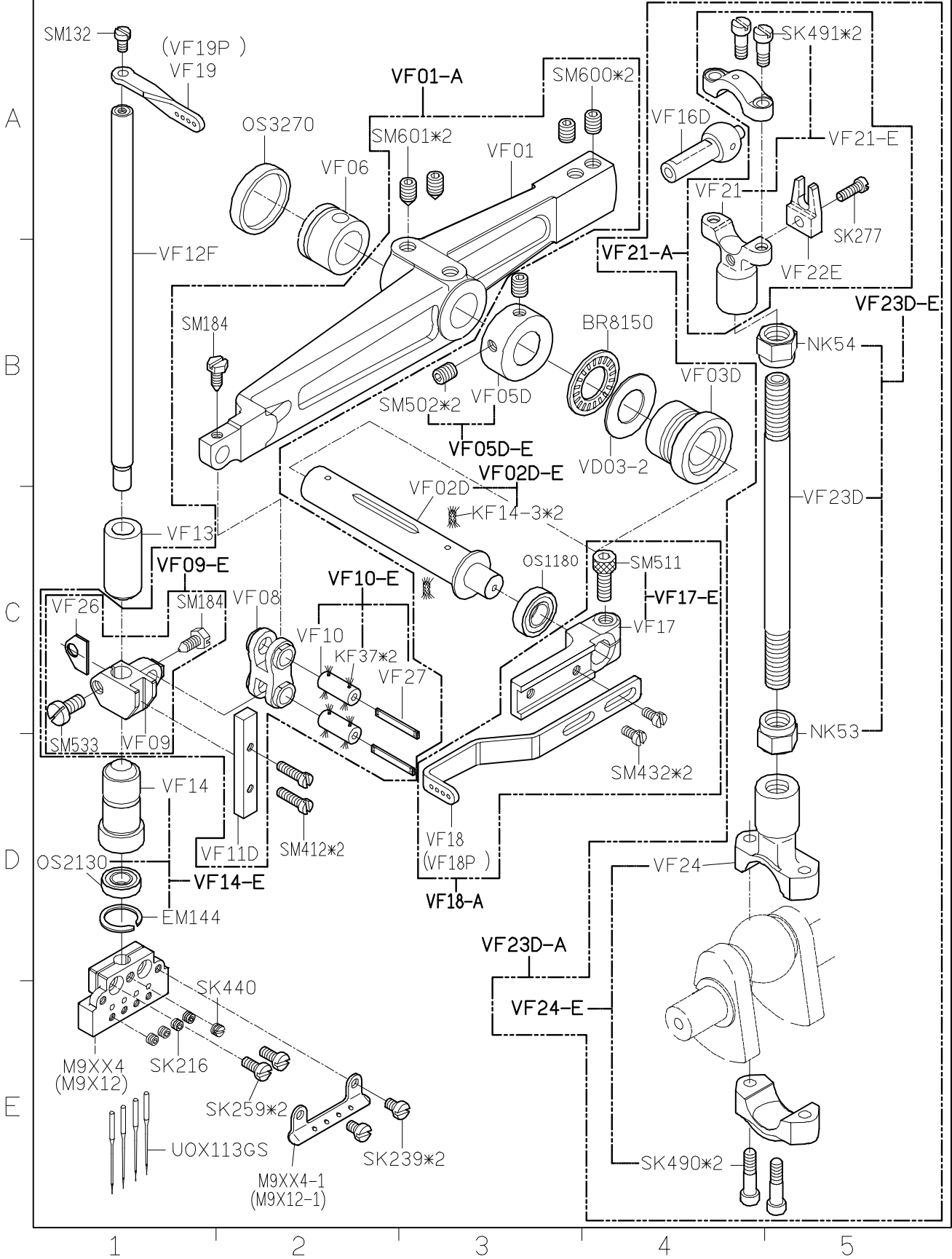
5

<b>SIRUBA</b> PARTS LIST	Series	Parts Group	Subclass / Remark	Page
	<b>VC008</b>	<b>VE</b>		4/4
				Date
				2012/08/23

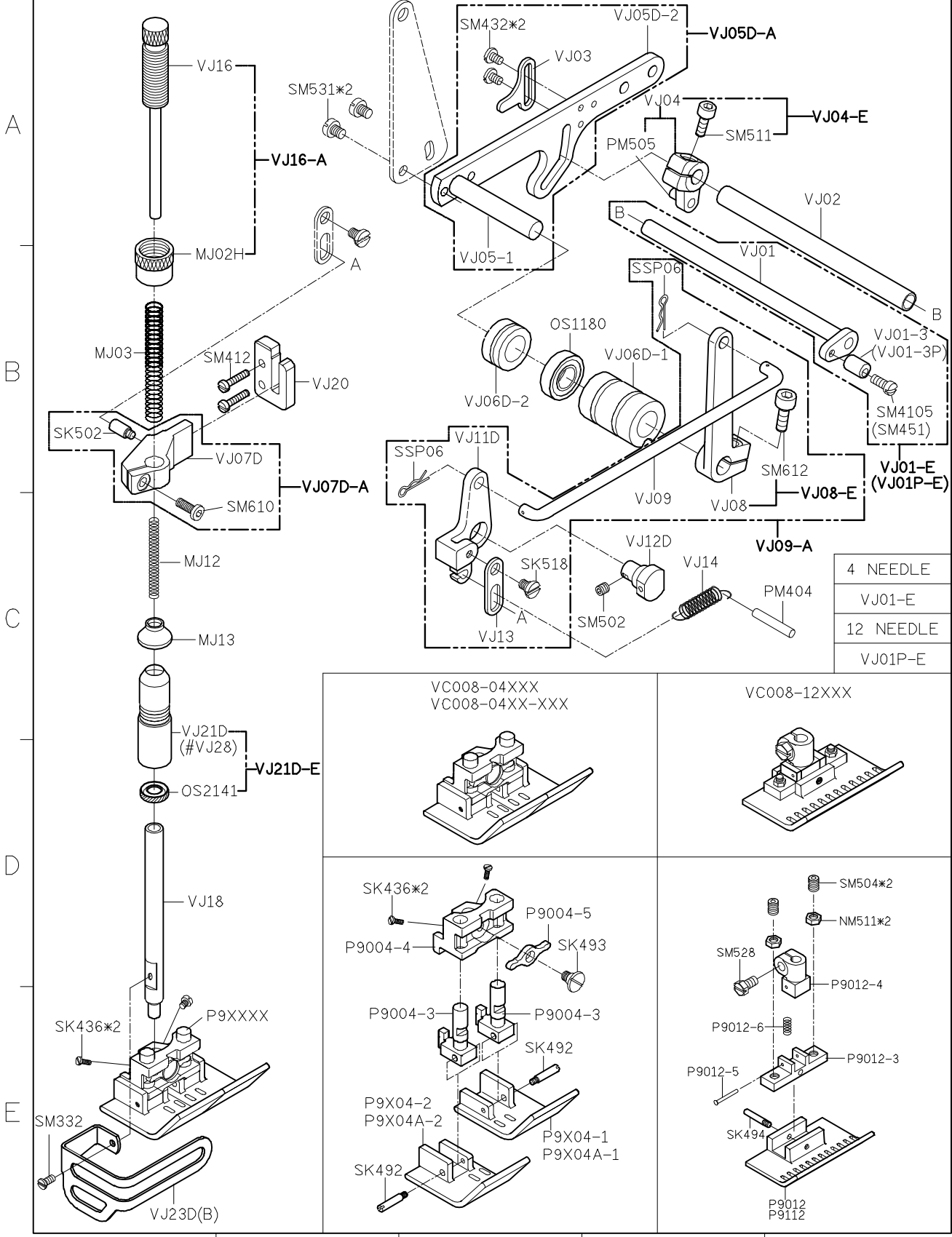
FOR 13~25 NEEDLE



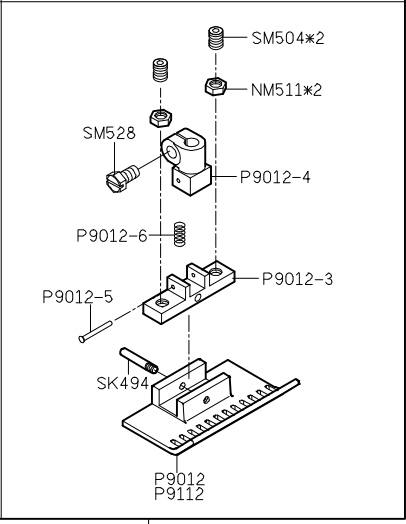
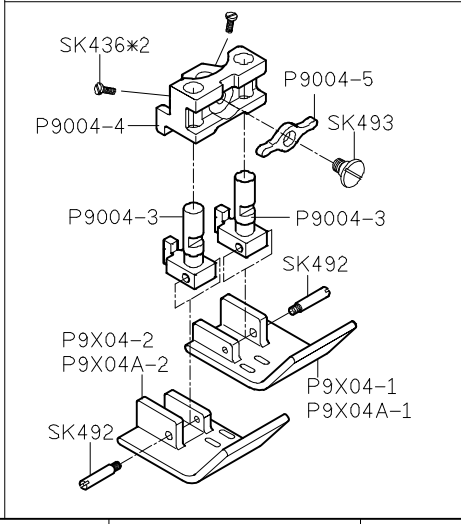
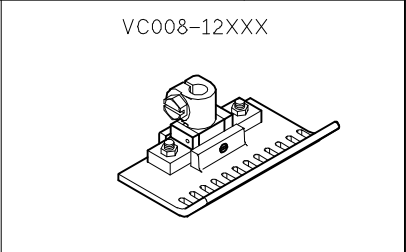
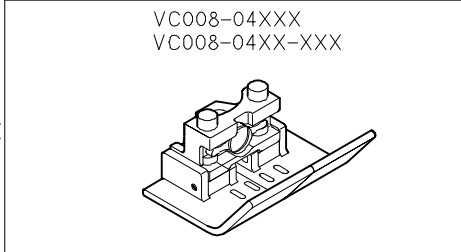
<b>SIRUBA</b> <b>PARTS LIST</b>	<b>Series</b>	<b>Parts Group</b>	<b>Subclass / Remark</b>	<b>Page</b>
	<b>VC008</b>	<b>VF</b>		1/1
				<b>Date</b>
				2012/09/23



<b>SIRUBA</b> <b>PARTS LIST</b>	<b>Series</b>	<b>Parts Group</b>	<b>Subclass / Remark</b>	<b>Page</b>
	<b>VC008</b>	<b>VJ</b>	<b># Use for VUT</b>	1/1
				<b>Date</b>
				2012/08/23



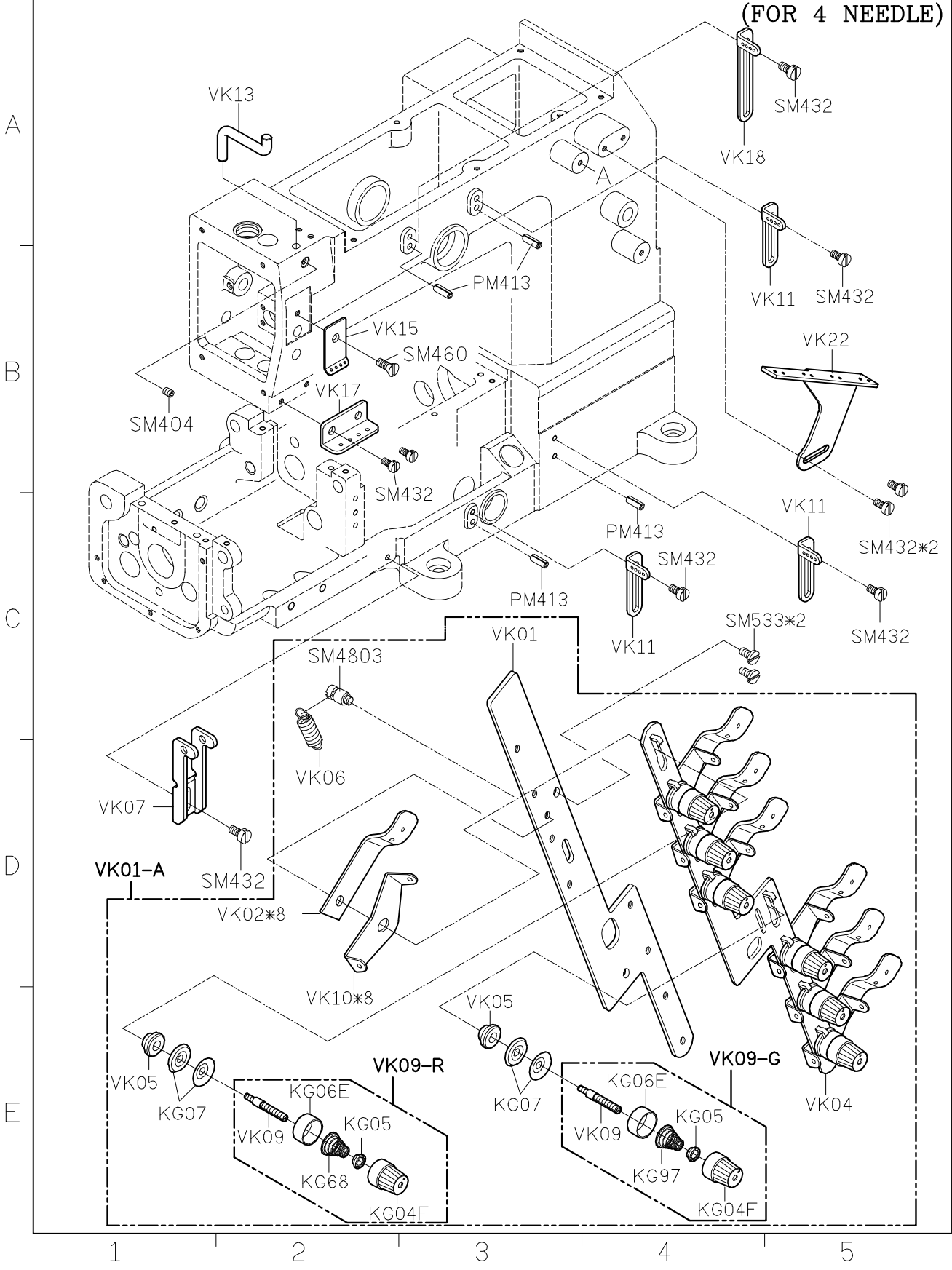
4 NEEDLE
VJ01-E
12 NEEDLE
VJ01P-E



1 2 3 4 5

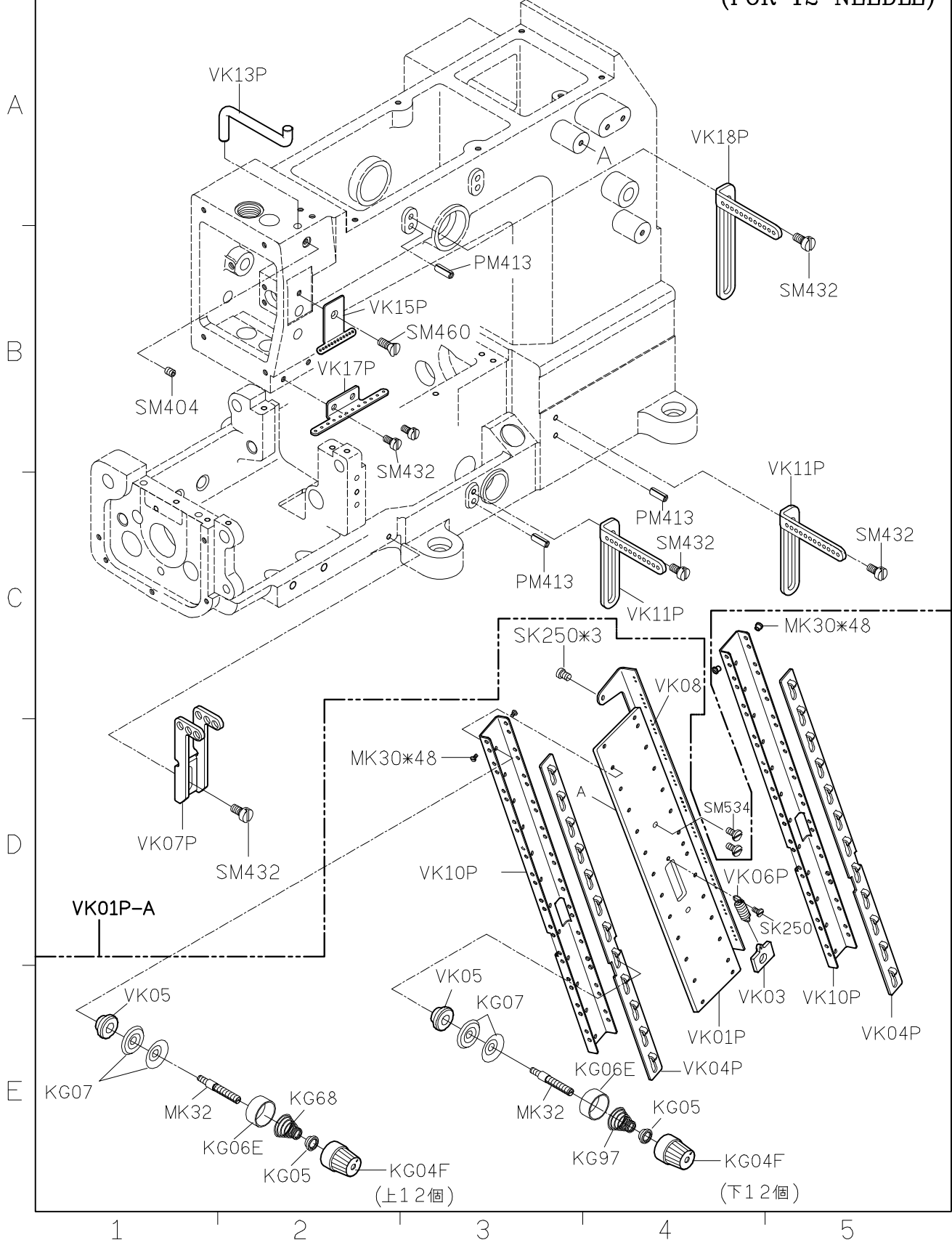


<b>SIRUBA</b> <b>PARTS LIST</b>	<b>Series</b>	<b>Parts Group</b>	<b>Subclass / Remark</b>	<b>Page</b>
	<b>VC008</b>	<b>VK</b>		1/2
				<b>Date</b>
				2012/08/23

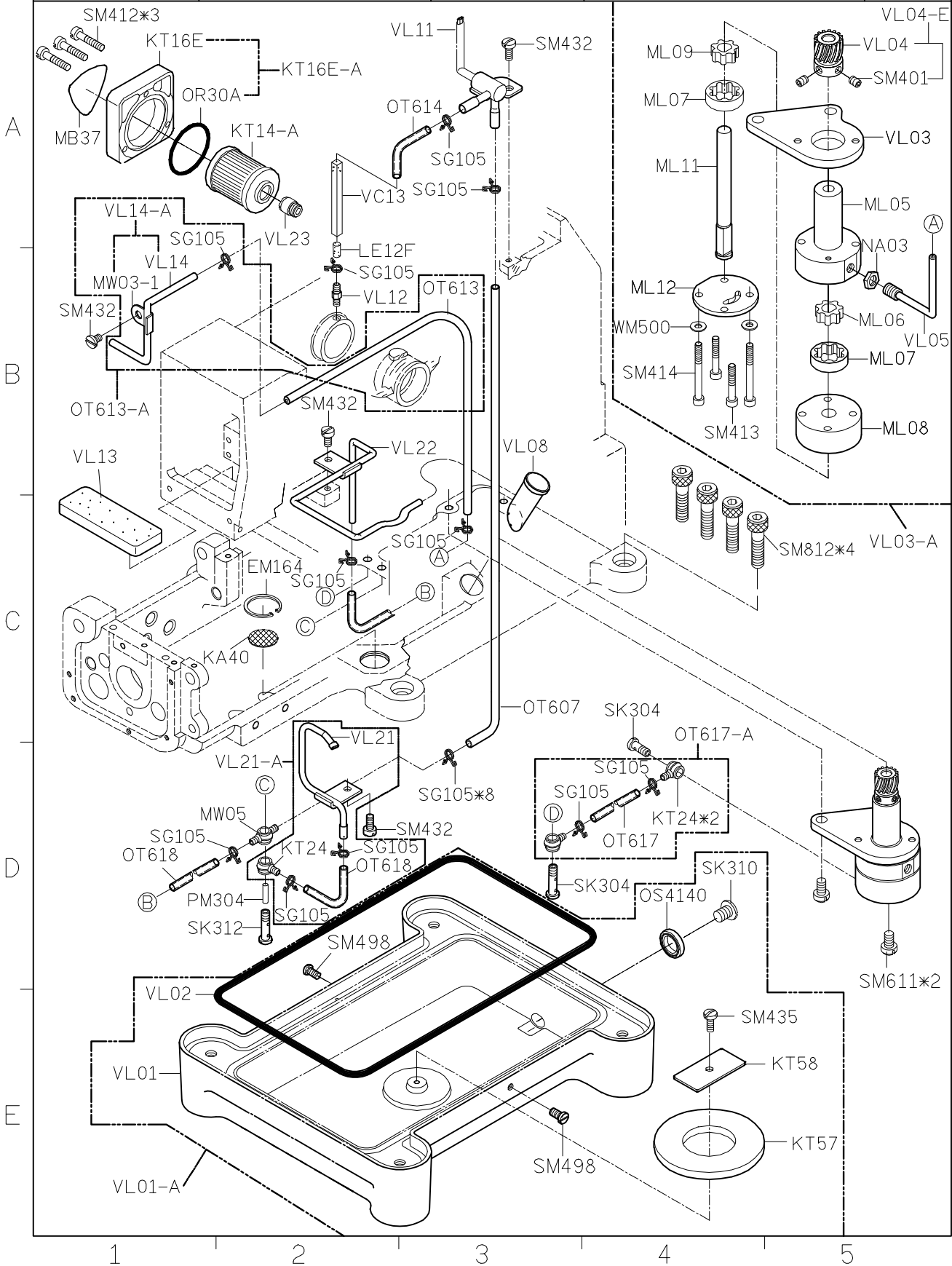


<b>SIRUBA</b> <b>PARTS LIST</b>	<b>Series</b>	<b>Parts Group</b>	<b>Subclass / Remark</b>	<b>Page</b>
	<b>VC008</b>	<b>VK</b>		2/2
				<b>Date</b>
				2012/08/23

(FOR 12 NEEDLE)



<b>SIRUBA</b> <b>PARTS LIST</b>	<b>Series</b>	<b>Parts Group</b>	<b>Subclass Remark</b>	<b>Page</b>
	<b>VC008</b>	<b>VL</b>		<b>1/1</b>
				<b>Date</b>
				<b>2012/03/21</b>



<b>SIRUBA</b> PARTS LIST	Series	Parts Group	Subclass / Remark	Page
	<b>VC008</b>	<b>VN</b>		1/2
				Date
				2012/08/23

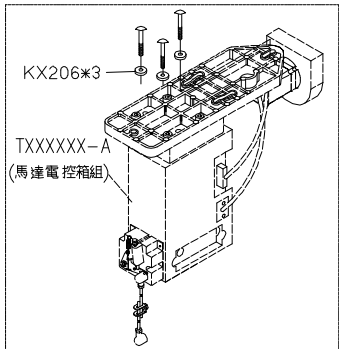
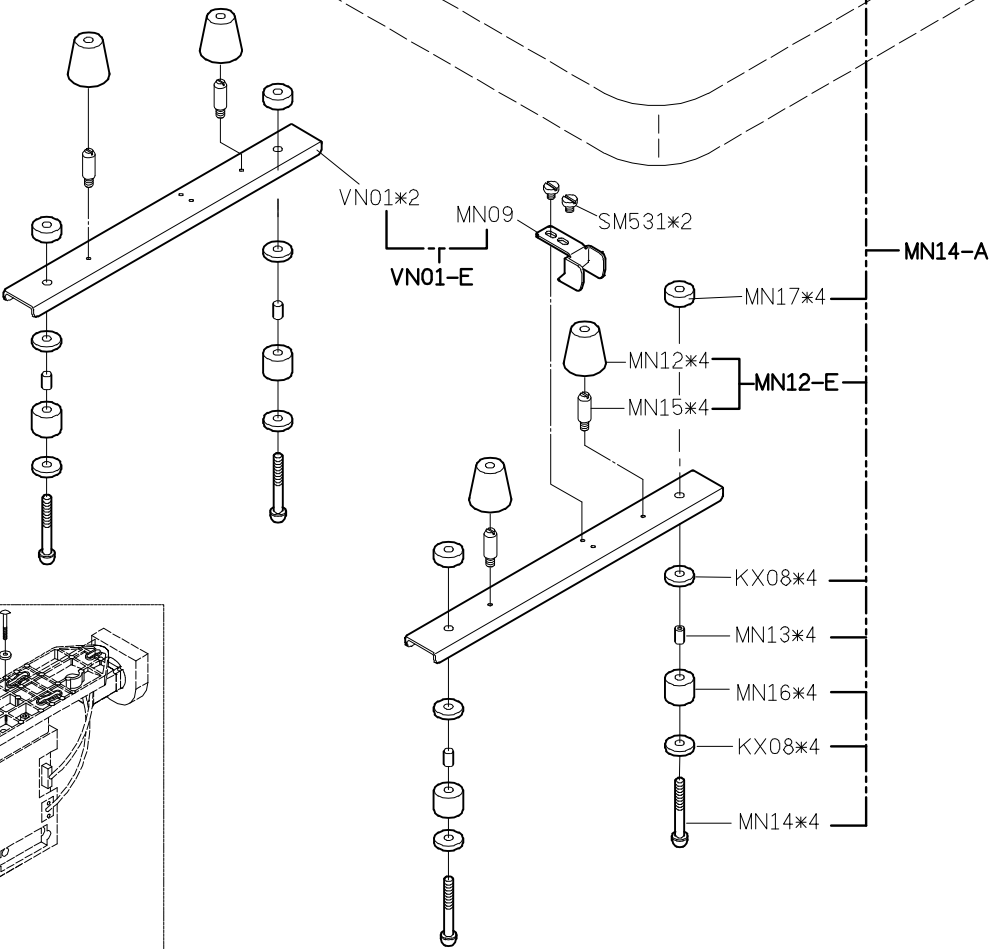
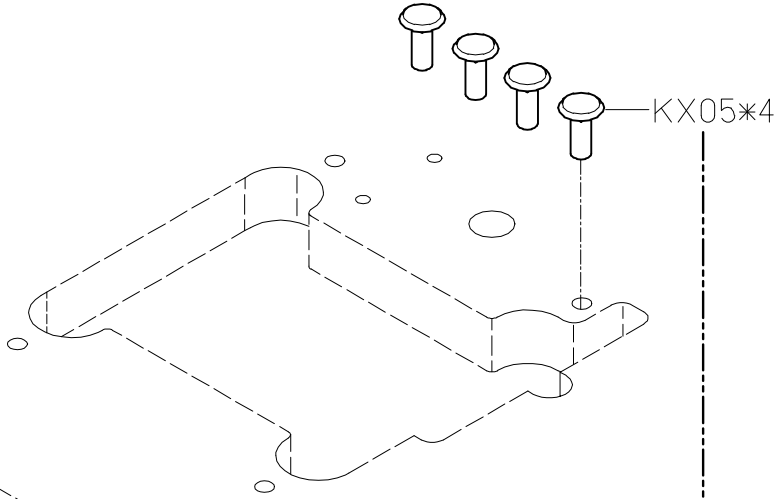
A

B

C

D

E



1

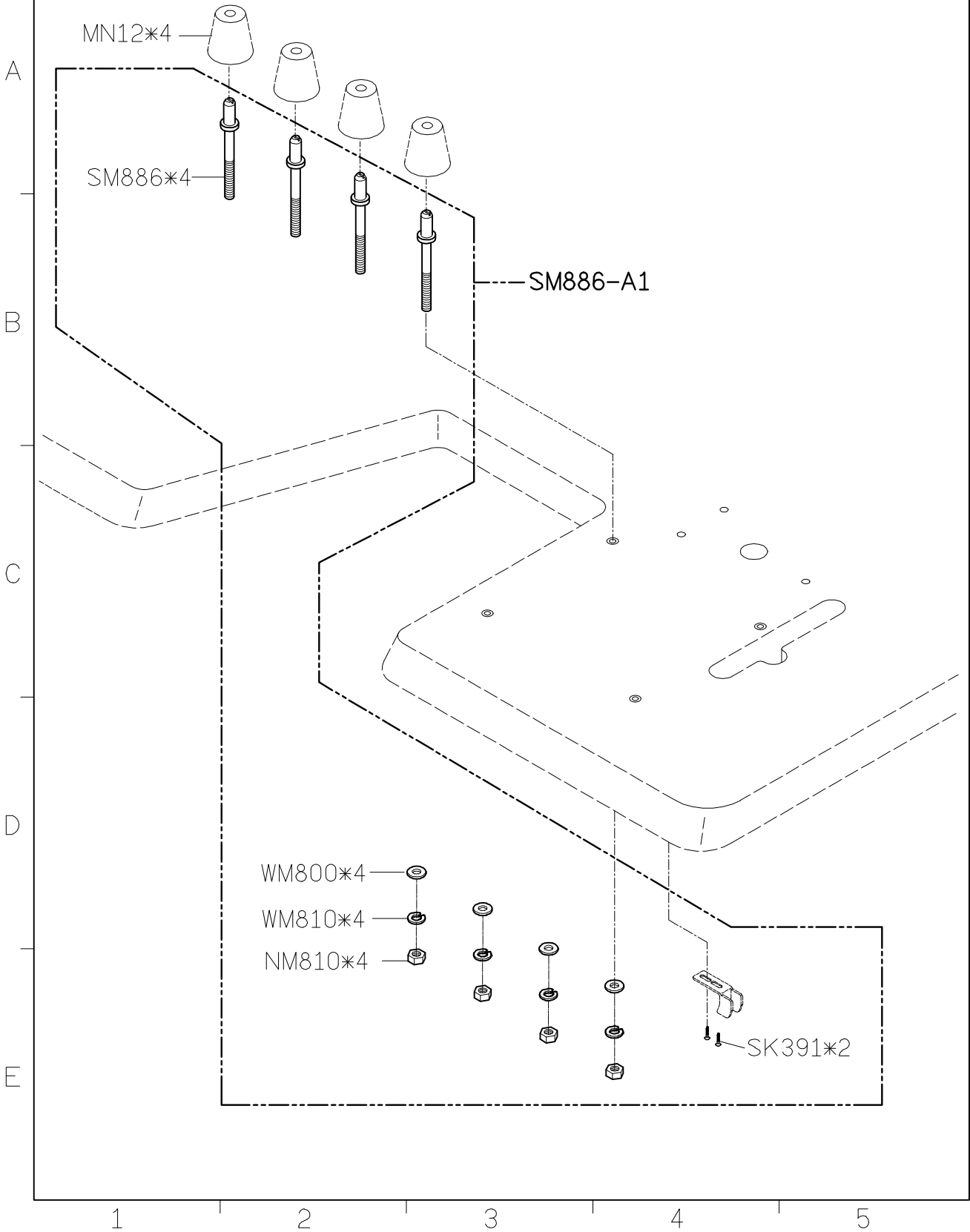
2

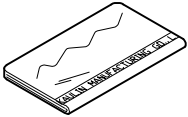
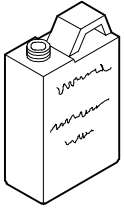



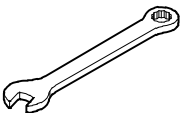
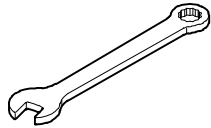



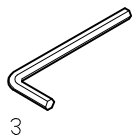
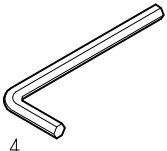
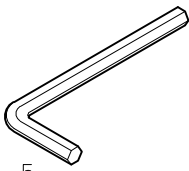
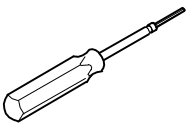
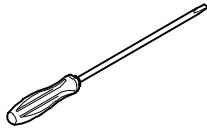
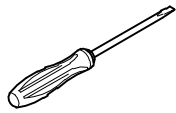

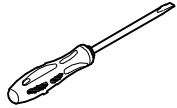


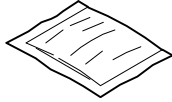

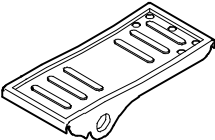
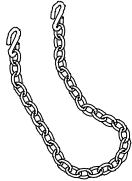
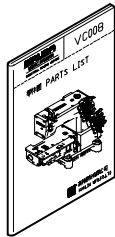

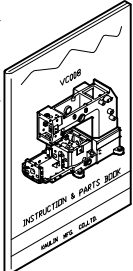
3

4

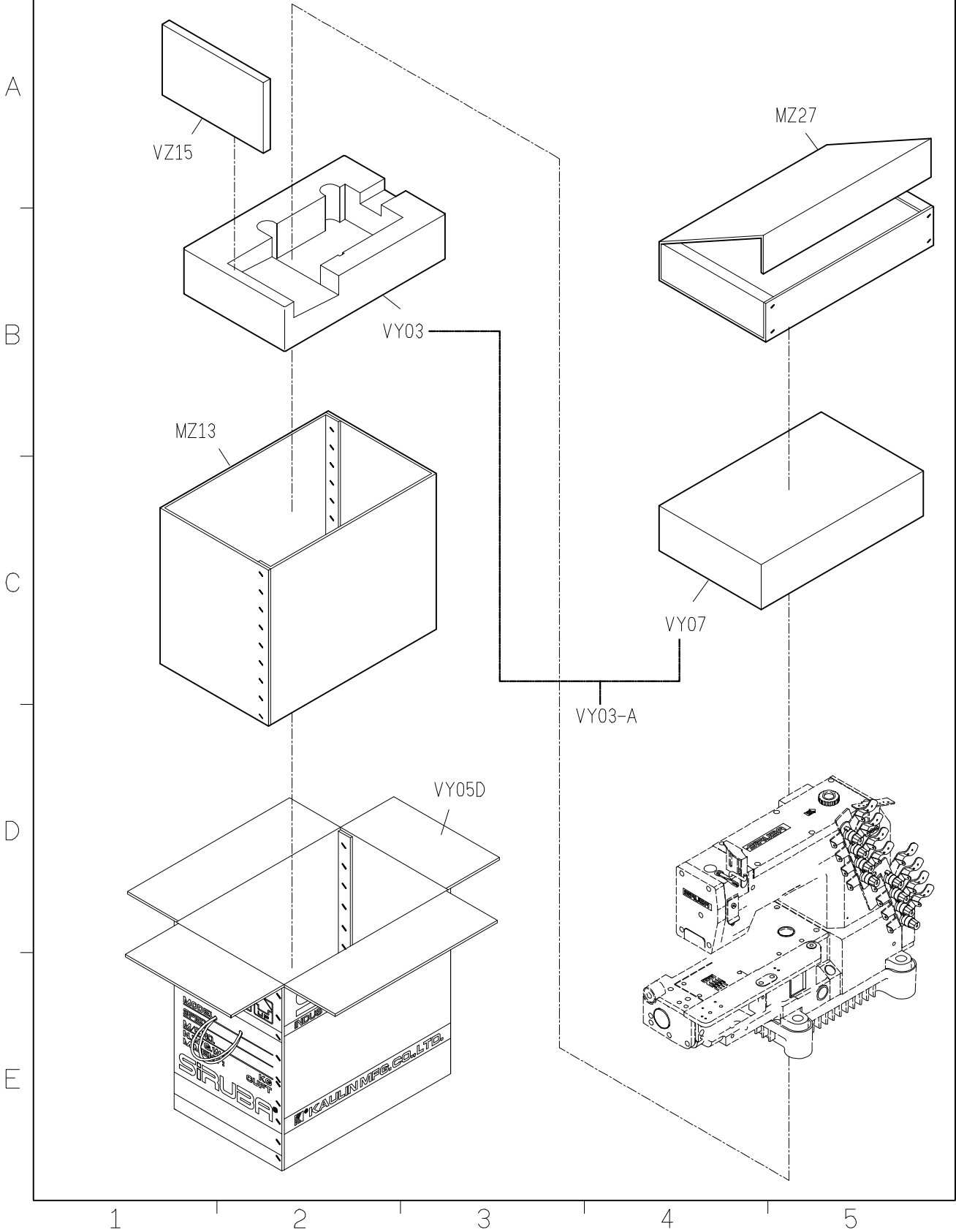
5

<b>SIRUBA</b> PARTS LIST	Series	Parts Group	Subclass / Remark	Page
	<b>VC008</b>	<b>VN</b>	Use for 上乘式桌板	2/2
				Date
				2012/08/23



SIRUBA PARTS LIST	Series	Parts Group	Subclass / Remark		Page
	VC008	VY			1/2
					Date
					2012/08/23
MY01 防塵罩	KY02F-A 油 罐	KY03 油 壺	KY04 漏 斗	KY07 開口板手	
					
KY08 開口板手	KY09 開口板手	MY09 六角板手	KY10 六角板手	MY10 六角板手	MY11 六角板手
					
MY12 六角板手	KY11 六角板手	KY14 內六角螺絲起子	KY16 一字起子	KY17 一字起子	
					
KY18 鑷 子	KY22 一字起子 (23針用)	KT14-A 濾油器	KY26F 工具袋	KZ03 乾燥劑	針*5
					
KY20D-A 腳踏板	KY21-1/MY21 鉤子 / 鍊條	VY04 零件圖	VY09 輔助件零件圖	VY01/P 使用說明書 四針(十二針)車使用說明書	
					
1	2	3	4	5	

SIRUBA PARTS LIST	Series	Parts Group	Subclass / Remark	Page
	VC008	VY		2/2
				Date
				2012/08/23



<b>SIRUBA</b> <b>PARTS LIST</b>	<b>Series</b>	<b>Parts Group</b>	<b>Subclass / Remark</b>	<b>Page</b>
	<b>VC008</b>	<b>VZ</b>		<b>1/2</b>
				<b>Date</b>
				<b>2012/11/15</b>

OPTION:VZ02-A  
(4 NEEDLE USE)

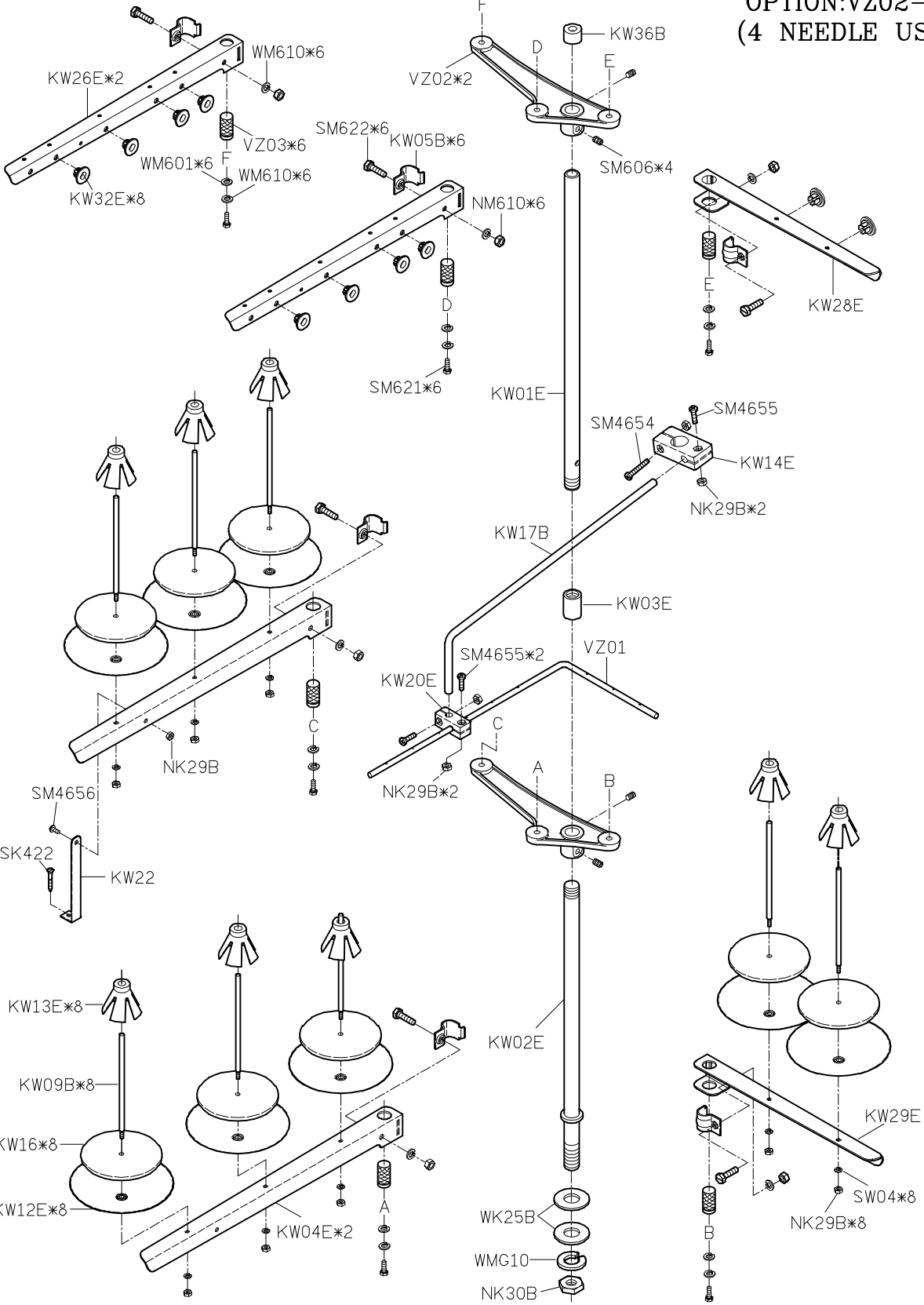
A

B

C

D

E



1

2

3

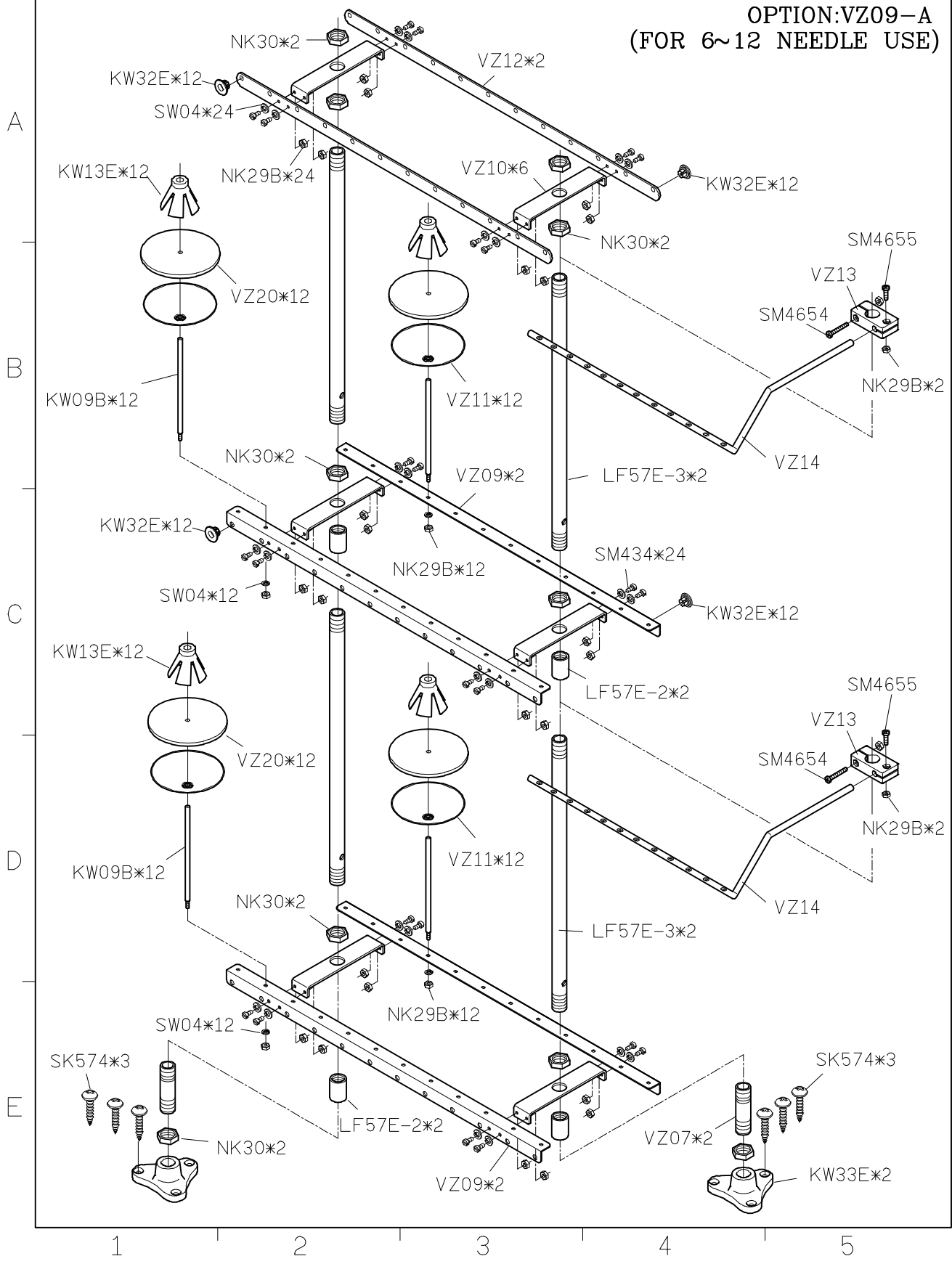
4

5



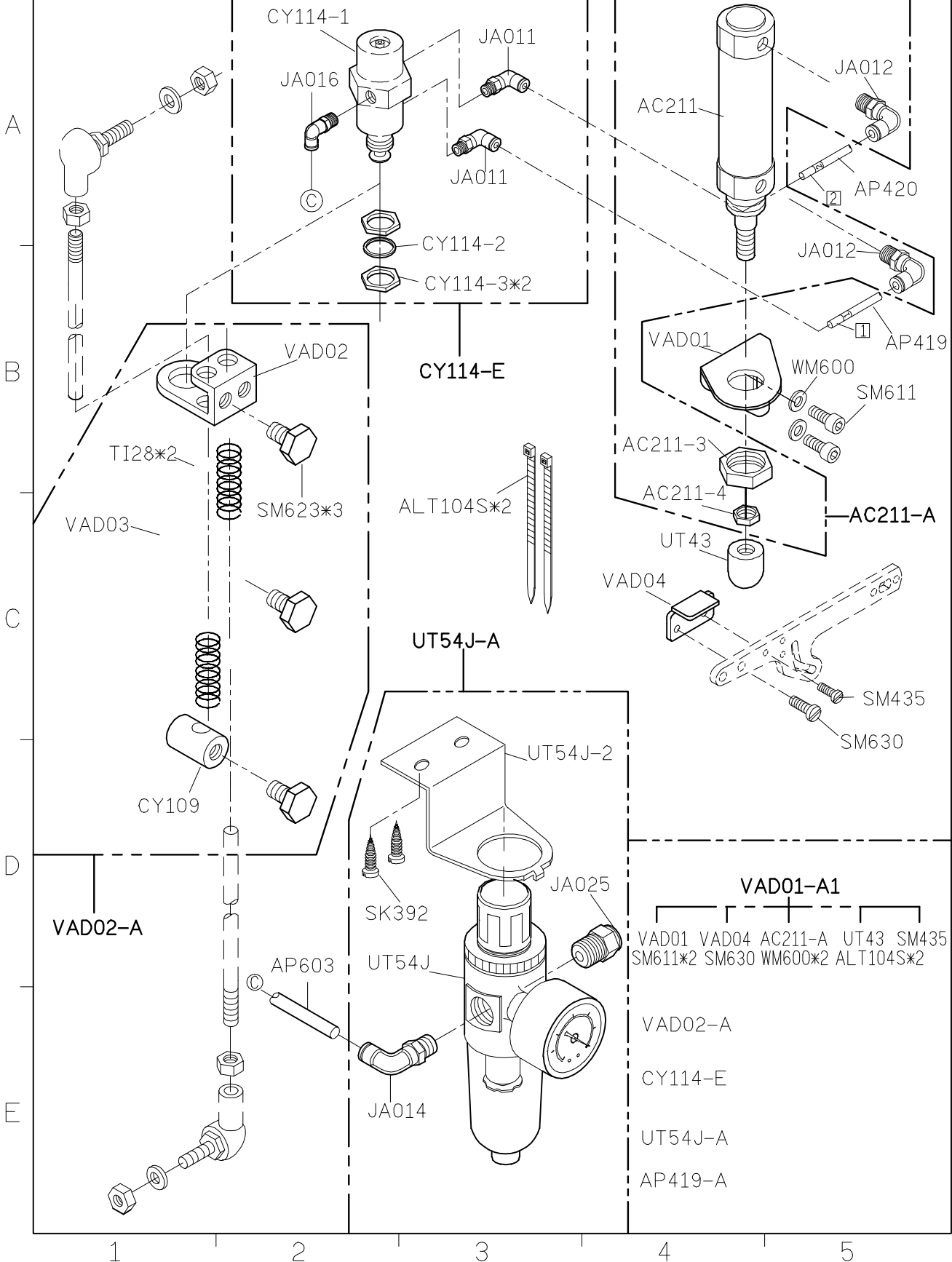
<b>SIRUBA</b> <b>PARTS LIST</b>	<b>Series</b>	<b>Parts Group</b>	<b>Subclass / Remark</b>	<b>Page</b>
	<b>VC008</b>	<b>VZ</b>		<b>2/2</b>
				<b>Date</b>
				<b>2012/11/15</b>

OPTION:VZ09-A  
(FOR 6~12 NEEDLE USE)

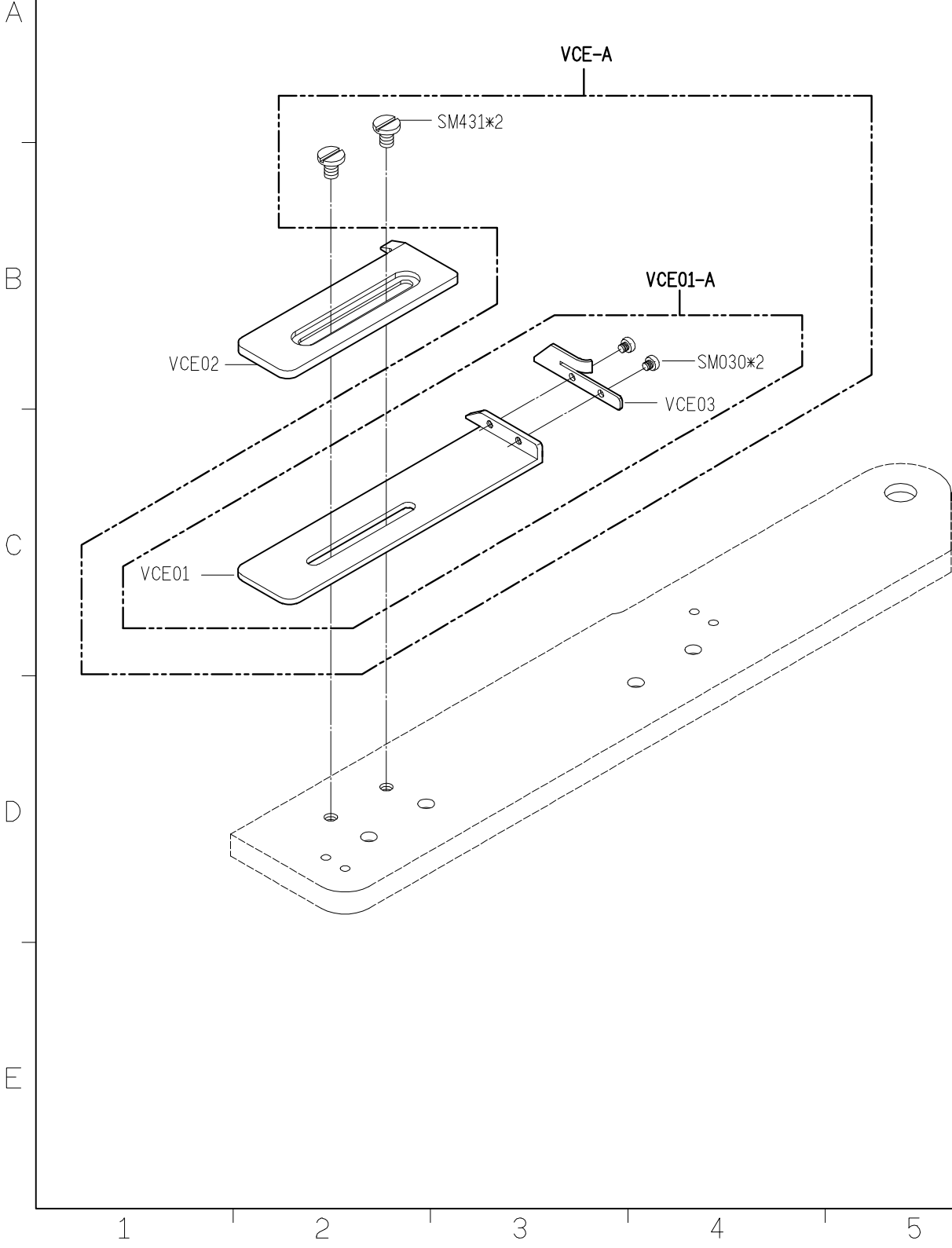


- 1
- 2
- 3
- 4
- 5

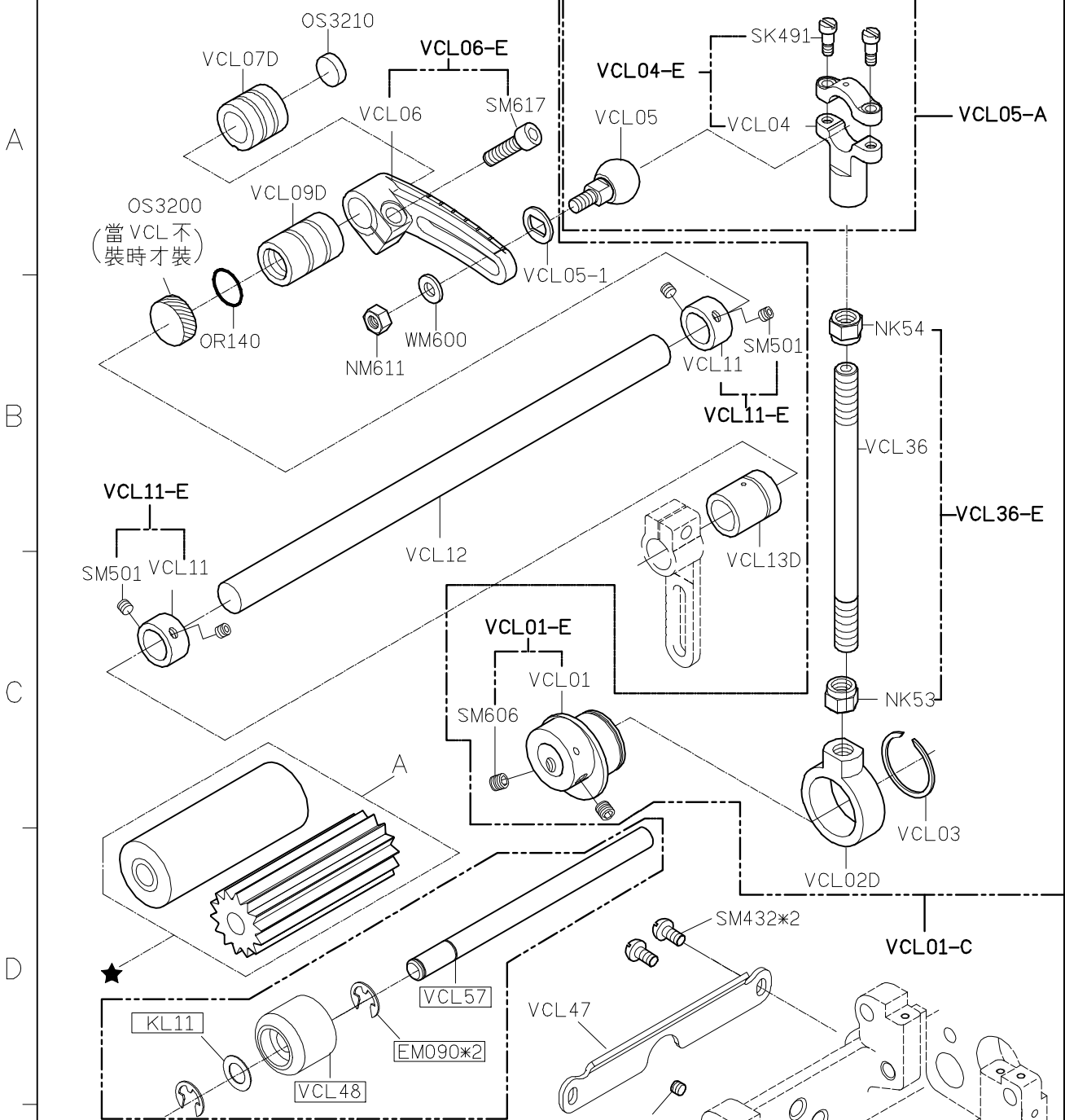
<b>SIRUBA</b> <b>PARTS LIST</b>	<b>Series</b>	<b>Parts Group</b>	<b>Subclass / Remark</b>	<b>Page</b>
	<b>VC008</b>	<b>VAD</b>		1/1
				<b>Date</b>
				2012/08/24



<b>SIRUBA</b> PARTS LIST	Series	Parts Group	Subclass / Remark	Page
	<b>VC008</b>	<b>VCE</b>		1/1
				Date
				2012/08/24



<b>SIRUBA</b> <b>PARTS LIST</b>	<b>Series</b>	<b>Parts Group</b>	<b>Subclass / Remark</b>	<b>Page</b>
	<b>VC008</b>	<b>VCL</b>		1/3
				<b>Date</b>
				2012/08/21



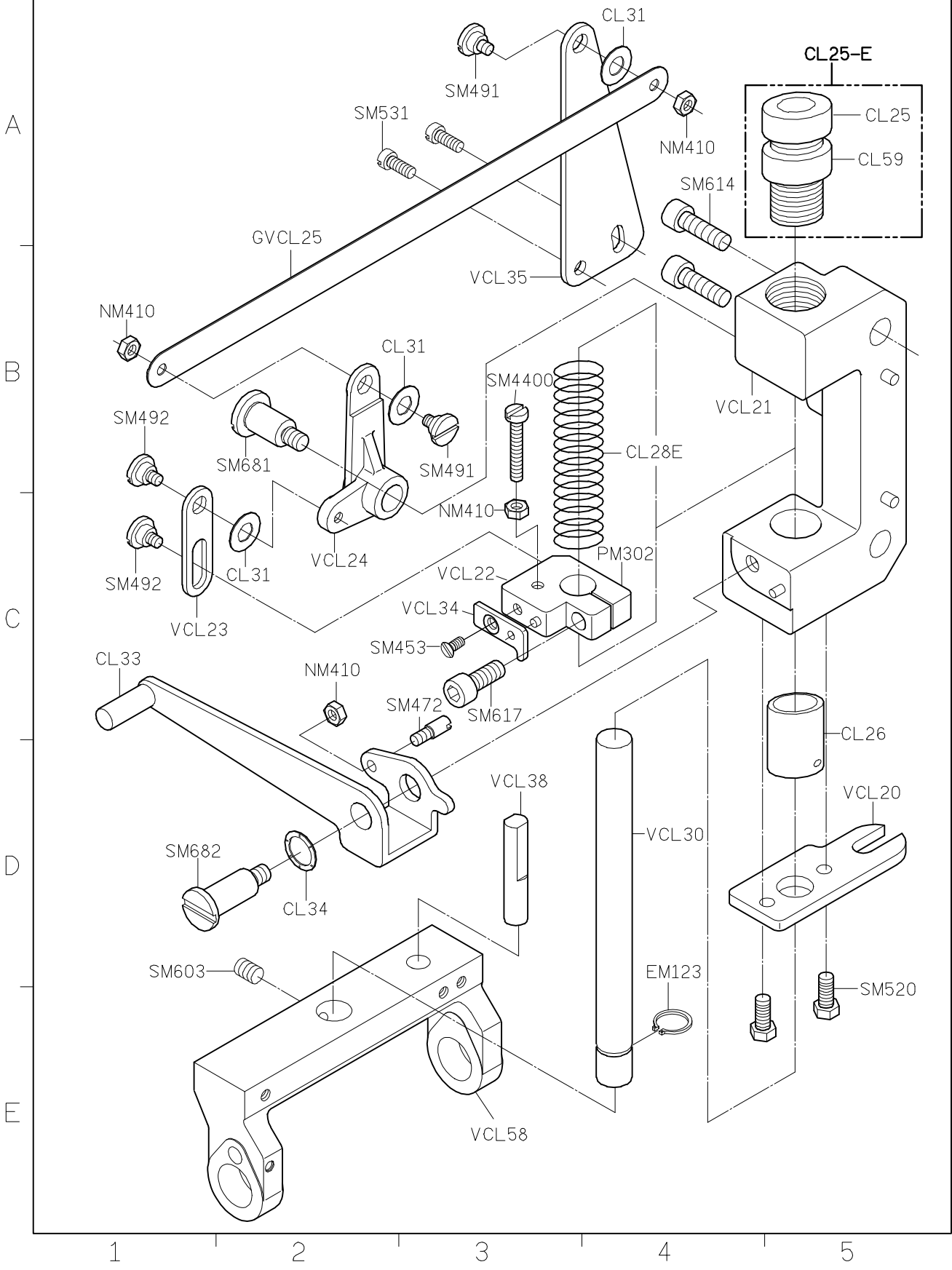
★ 滾輪使用方式

	平輪 (Flat Type)		齒輪 (Gear Type)				
	PU	Rubber (Black)	POM (White)		Steel		
Length	Short	Long	Short	Long	Short	Long	
上滾輪 Upper	VCL16	VCL16P * VCL16D	VCL16Q	VCL16R	VCL08 (22T) VCL37 (27T)	VCL08P (22T) VCL37P (27T)	VCL08Q (59T) VCL08N (22T)
下滾輪 Bottom	VCL28	VCL28R	VCL33 (14T) VCL33P (16T)	VCL33N (22T)			

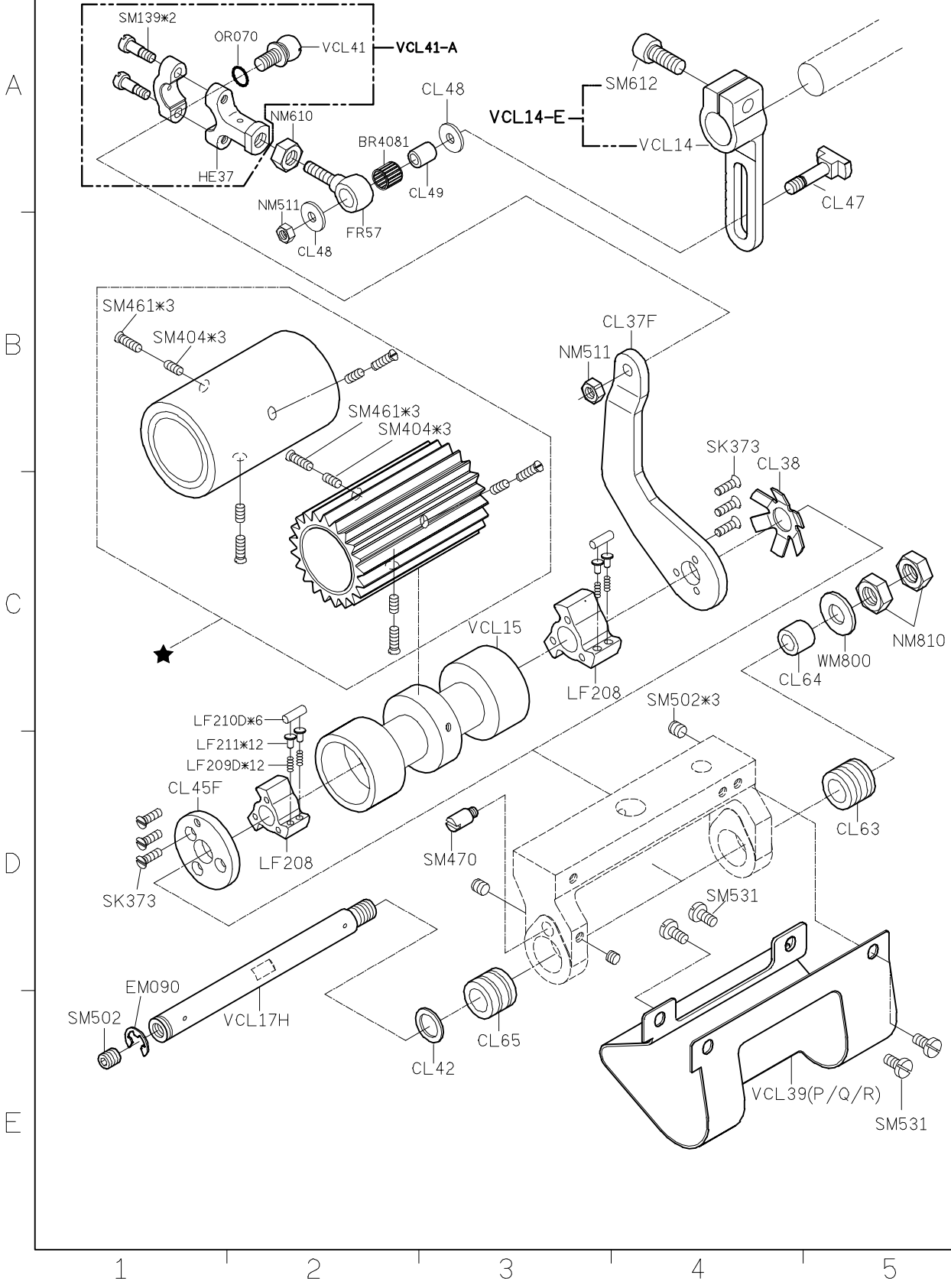
除VUT車外	VUT
VCL57	VCL27
VCL48	
KL11	
EM090*2	

\*新增代號VCL16D為VSM/VSQ專用

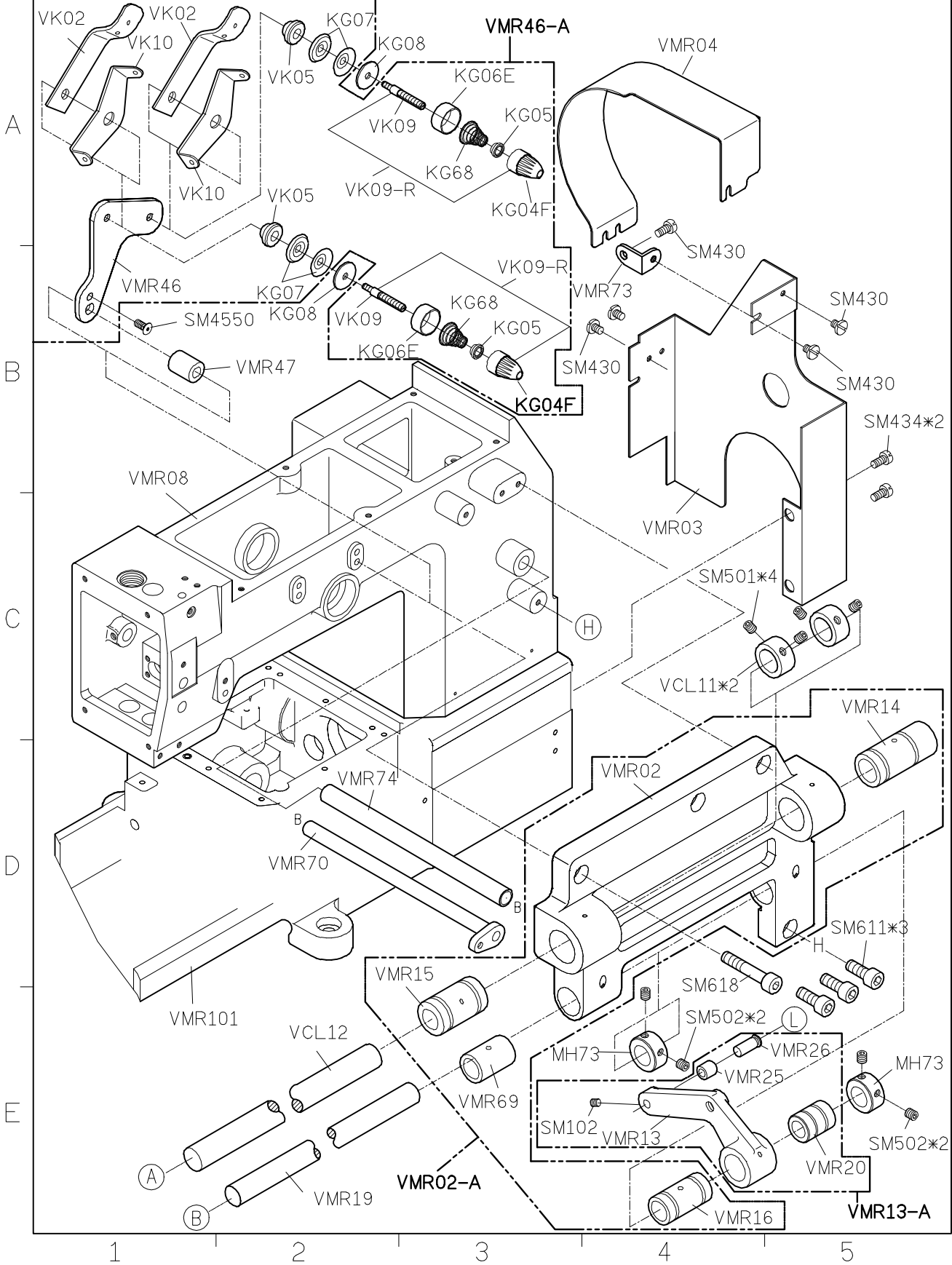
<b>SIRUBA</b> <b>PARTS LIST</b>	<b>Series</b>	<b>Parts Group</b>	<b>Subclass / Remark</b>	<b>Page</b>
	<b>VC008</b>	<b>VCL</b>		2/3
				<b>Date</b>
				2012/08/21



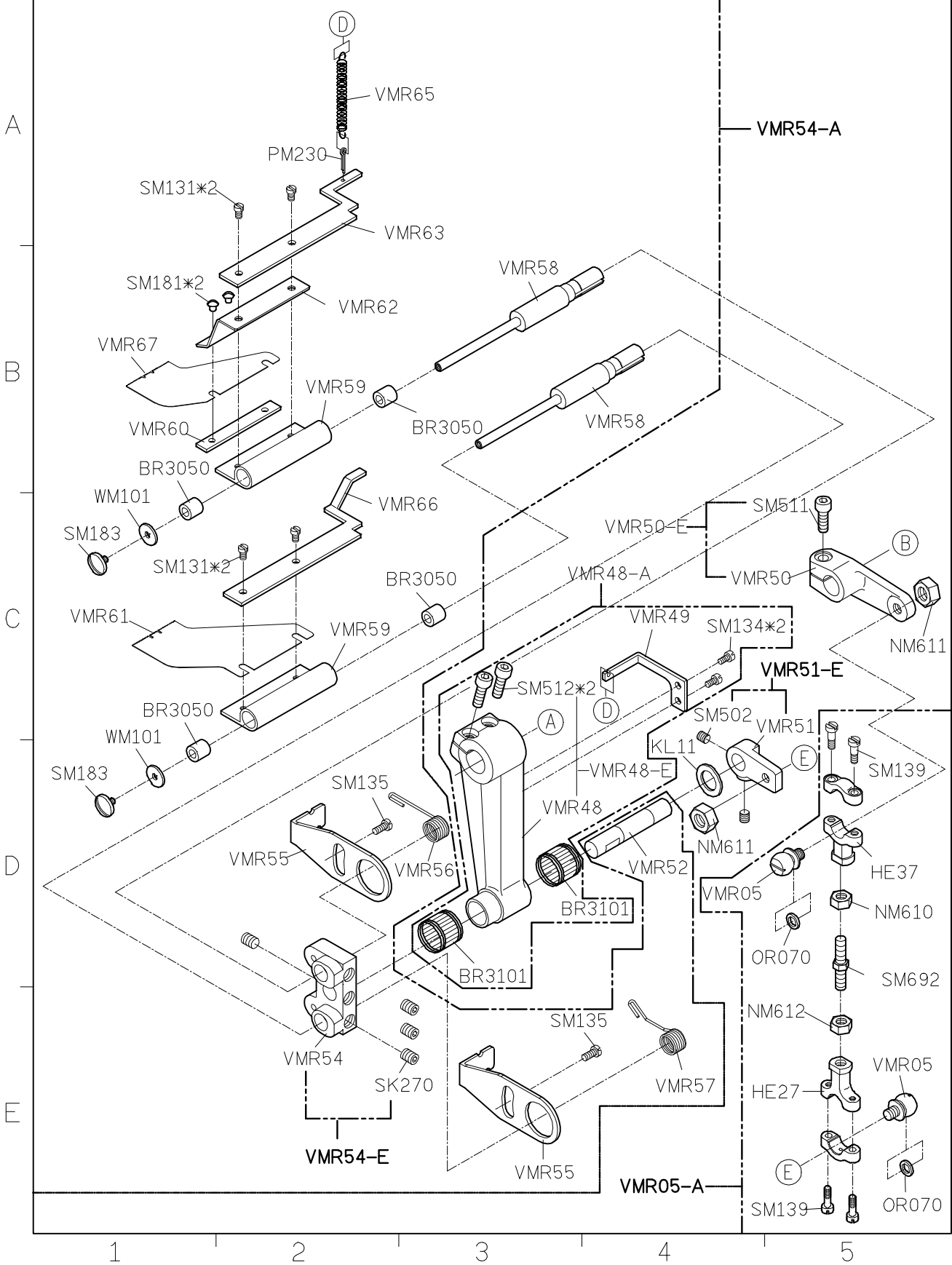
<b>SIRUBA</b> <b>PARTS LIST</b>	<b>Series</b>	<b>Parts Group</b>	<b>Subclass / Remark</b>	<b>Page</b>
	<b>VC008</b>	<b>VCL</b>		<b>3/3</b>
				<b>Date</b>
				<b>2012/03/21</b>



<b>SIRUBA</b> <b>PARTS LIST</b>	<b>Series</b>	<b>Parts Group</b>	<b>Subclass / Remark</b>	<b>Page</b>
	<b>VC008</b>	<b>VMR</b>		<b>1/5</b>
				<b>Date</b>
				<b>2012/08/25</b>

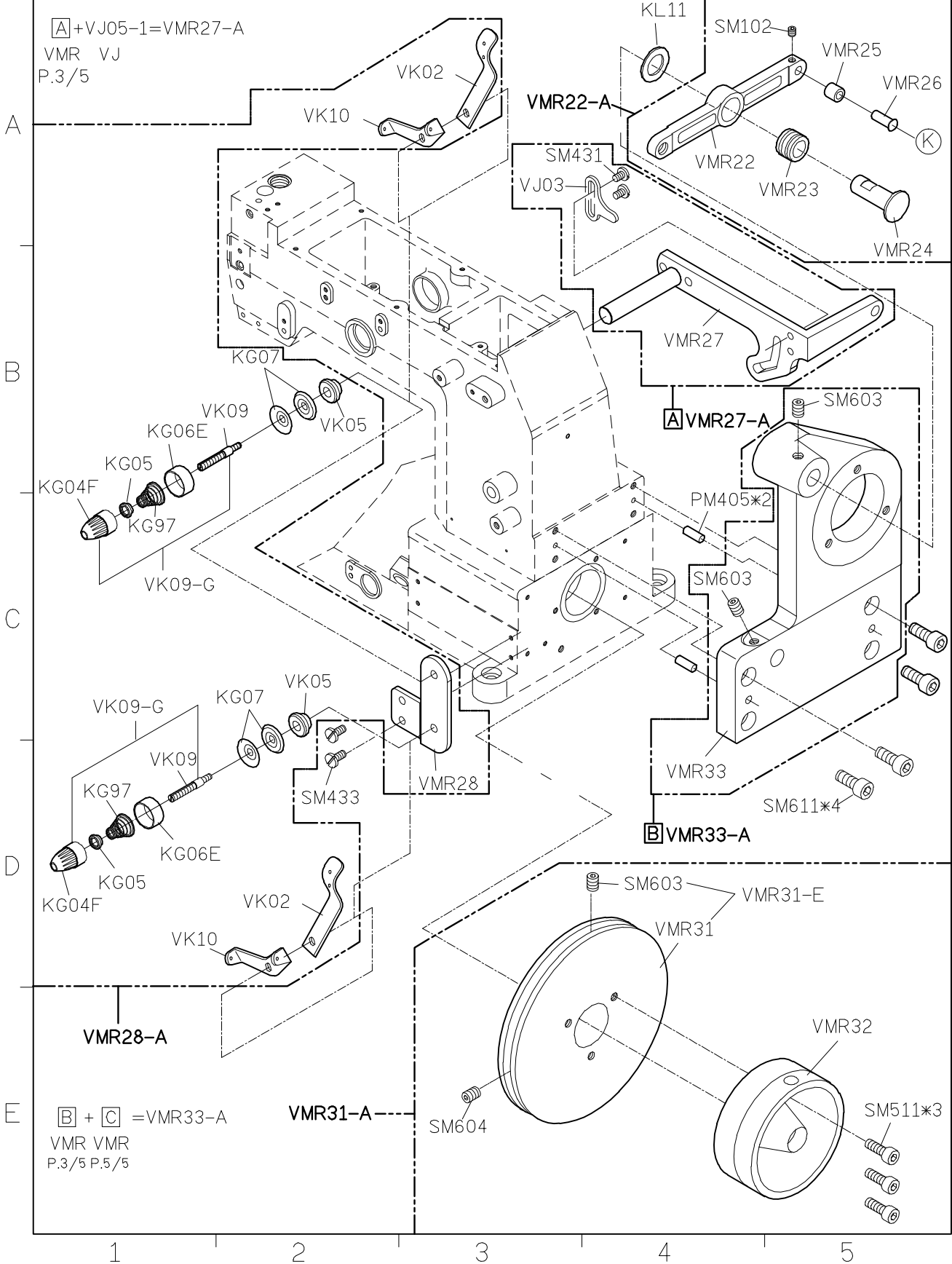


<b>SIRUBA</b> <b>PARTS LIST</b>	<b>Series</b>	<b>Parts Group</b>	<b>Subclass / Remark</b>	<b>Page</b>
	<b>VC008</b>	<b>VMR</b>		<b>2/5</b>
				<b>Date</b>
				<b>2012/03/25</b>

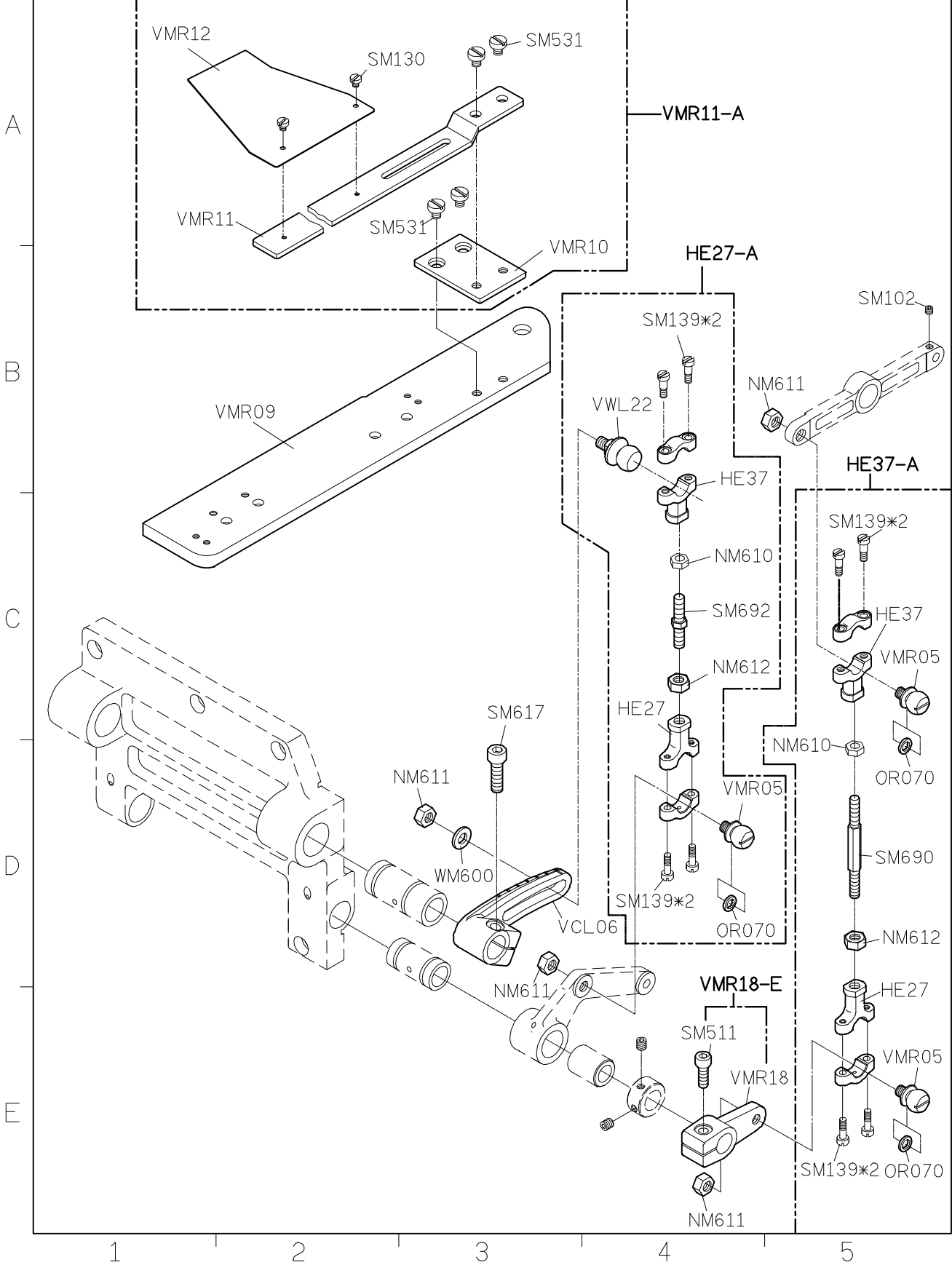




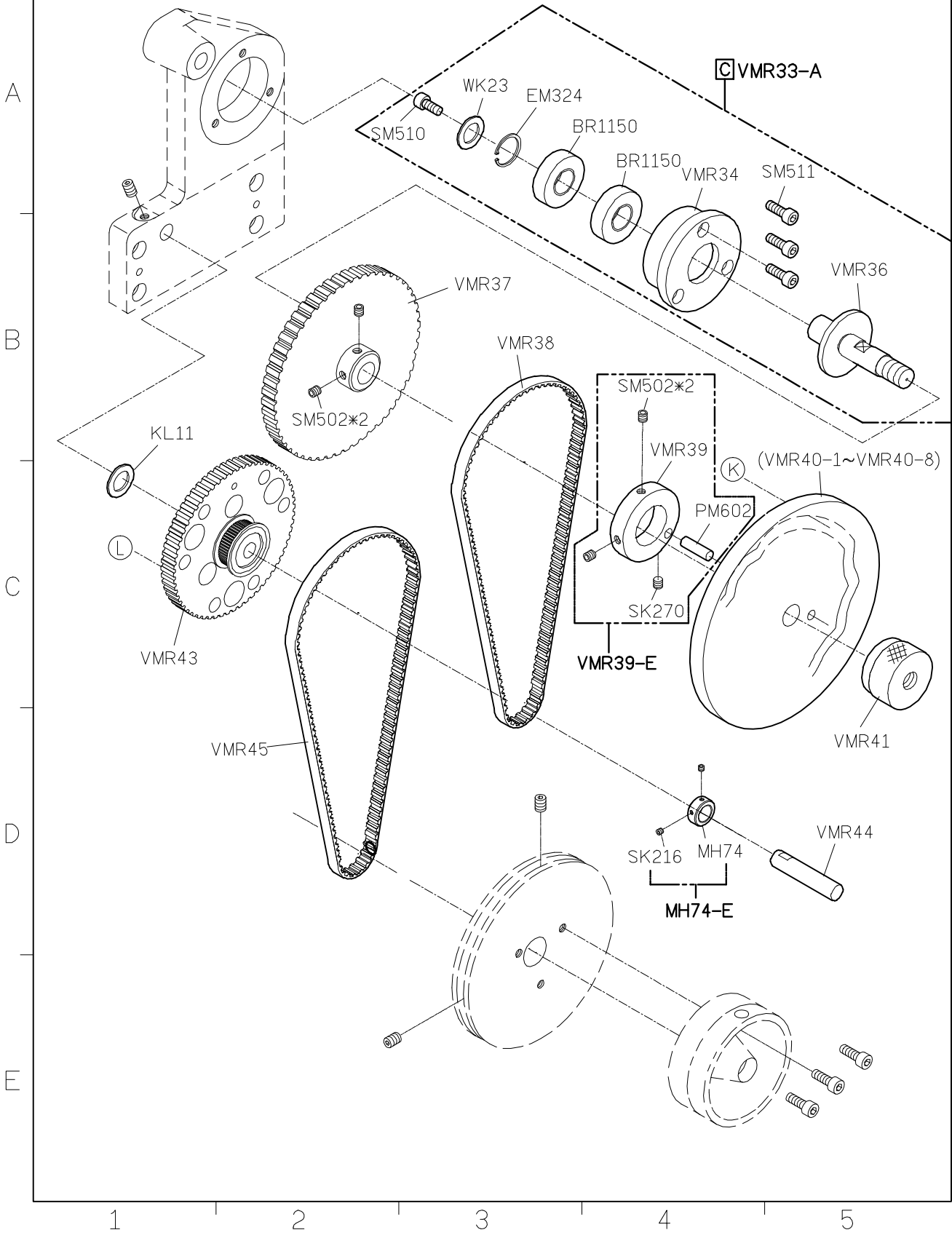
SIRUBA PARTS LIST	Series	Parts Group	Subclass / Remark	Page
	VC008	VMR		3/5
				Date
				2012/08/25

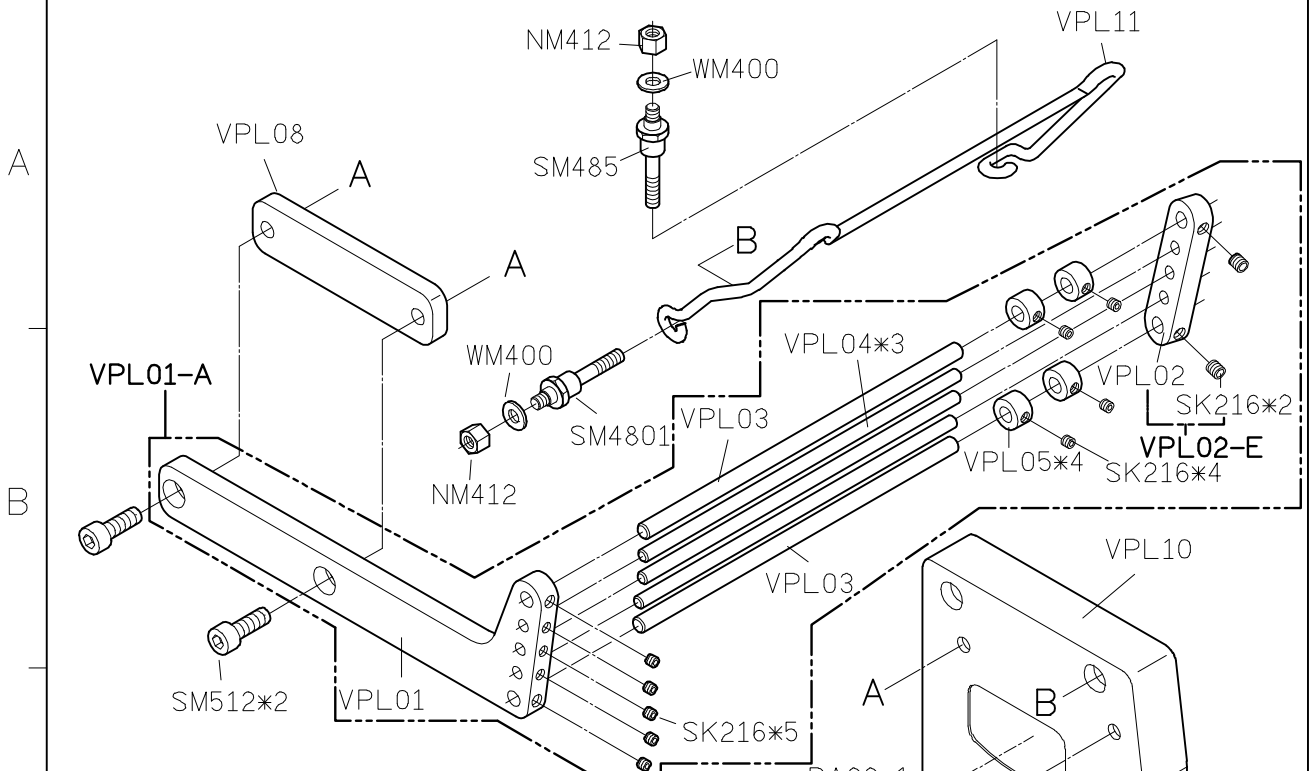


<b>SIRUBA</b> <b>PARTS LIST</b>	<b>Series</b>	<b>Parts Group</b>	<b>Subclass / Remark</b>	<b>Page</b>
	<b>VC008</b>	<b>VMR</b>		<b>4/5</b>
				<b>Date</b>
				<b>2012/03/25</b>

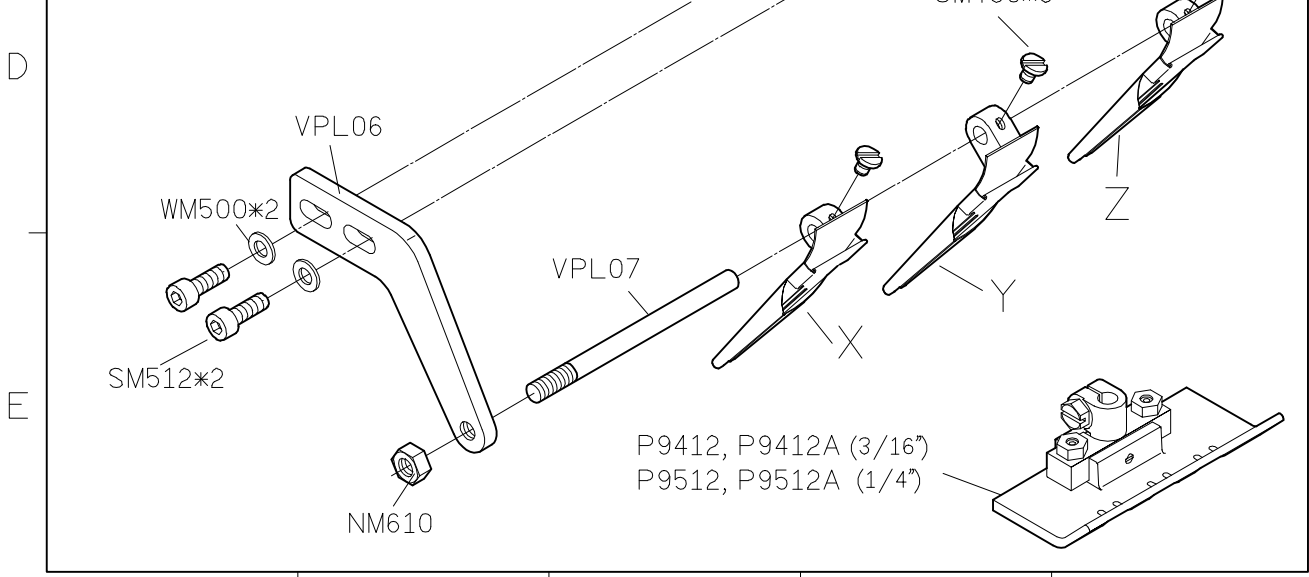


<b>SIRUBA</b> <b>PARTS LIST</b>	<b>Series</b>	<b>Parts Group</b>	<b>Subclass / Remark</b>	<b>Page</b>
	<b>VC008</b>	<b>VMR</b>		<b>5/5</b>
				<b>Date</b>
				<b>2012/09/25</b>



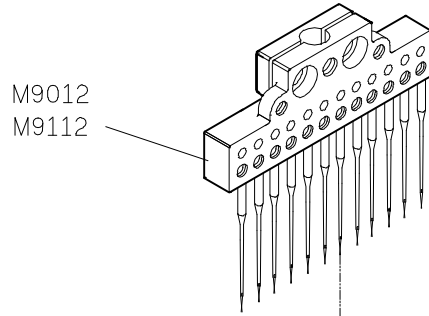


機型 Model	完成尺寸 Finished Size	X	Y	Z	針寬 Needle Holder	壓具 Presser Foot
VC008-06048	8	B417P	B417AP	B417P	3/16"	P9412DA
	9	B417Q	B417AQ	B417Q		P9412D
VC008-06064	10	B417R	B417AR	B417R	1/4"	P9512DA
	12	B417S	B417AS	B417S		P9512D
	16	B417U	B417AU	B417U		P9512B
VC008-12064	16	B417U	B417AU	B417U	1/4"	P9712D

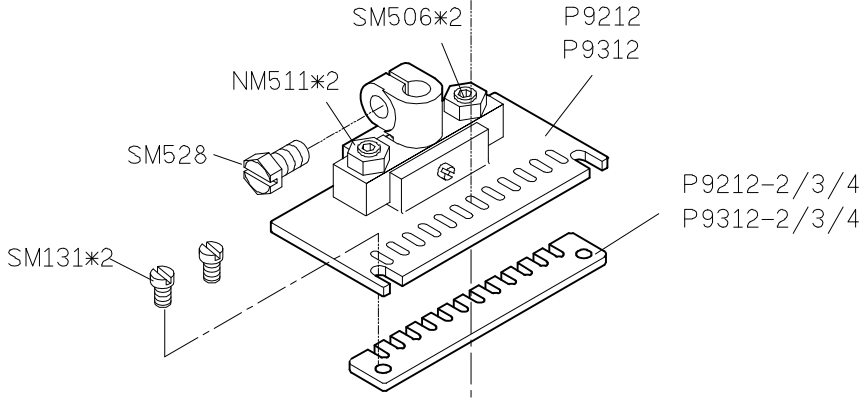


<b>SIRUBA</b> <b>PARTS LIST</b>	<b>Series</b>	<b>Parts Group</b>	<b>Subclass / Remark</b>	<b>Page</b>
	<b>VC008</b>	<b>VPQK</b>		1/5
				<b>Date</b>
				2012/08/24

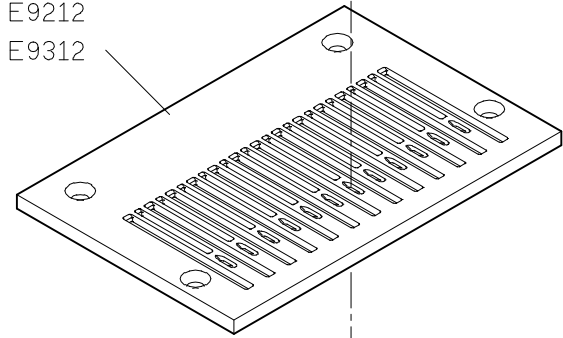
A



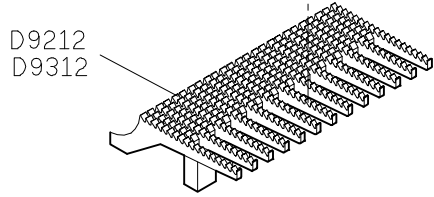
B



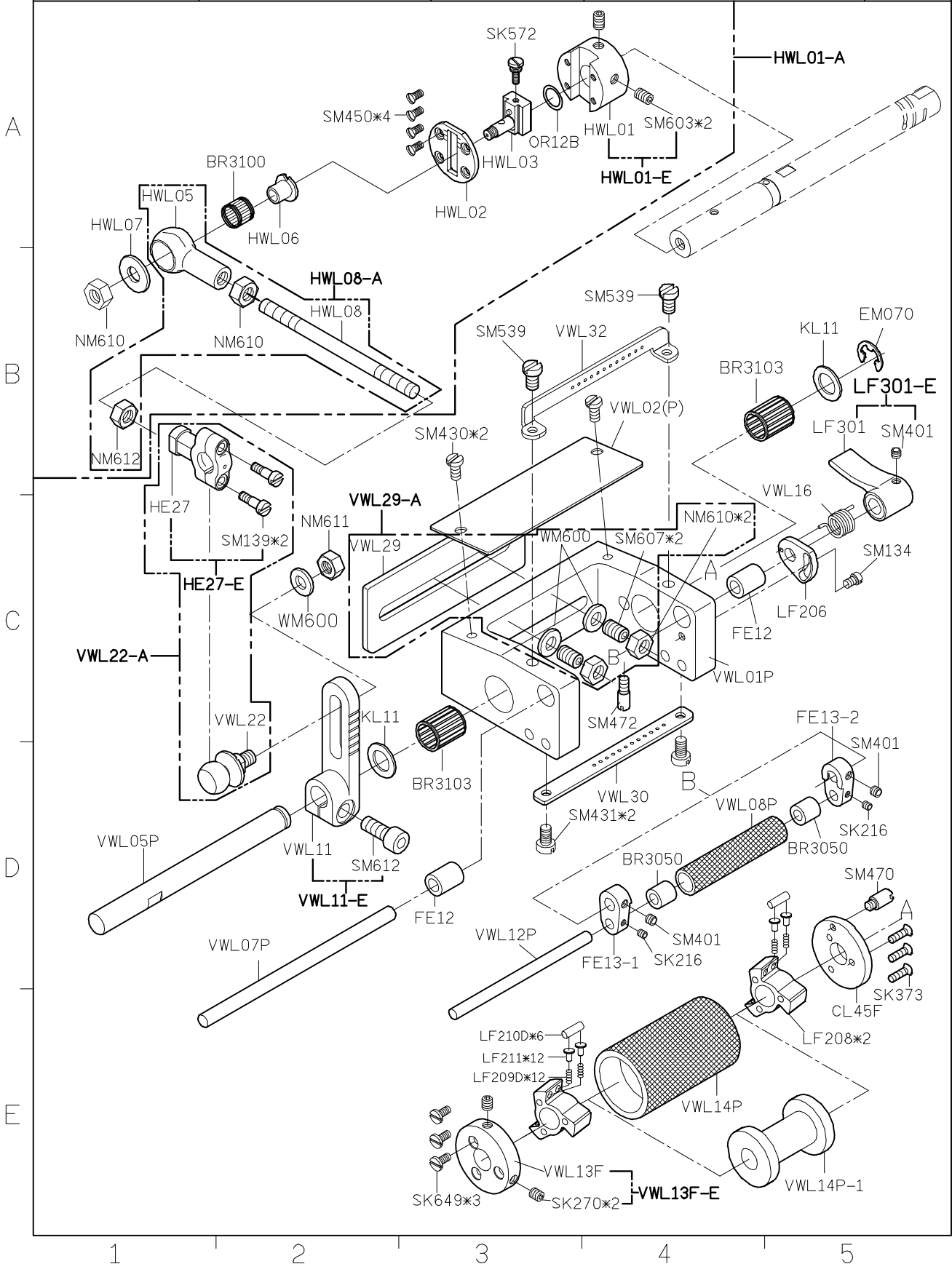
C



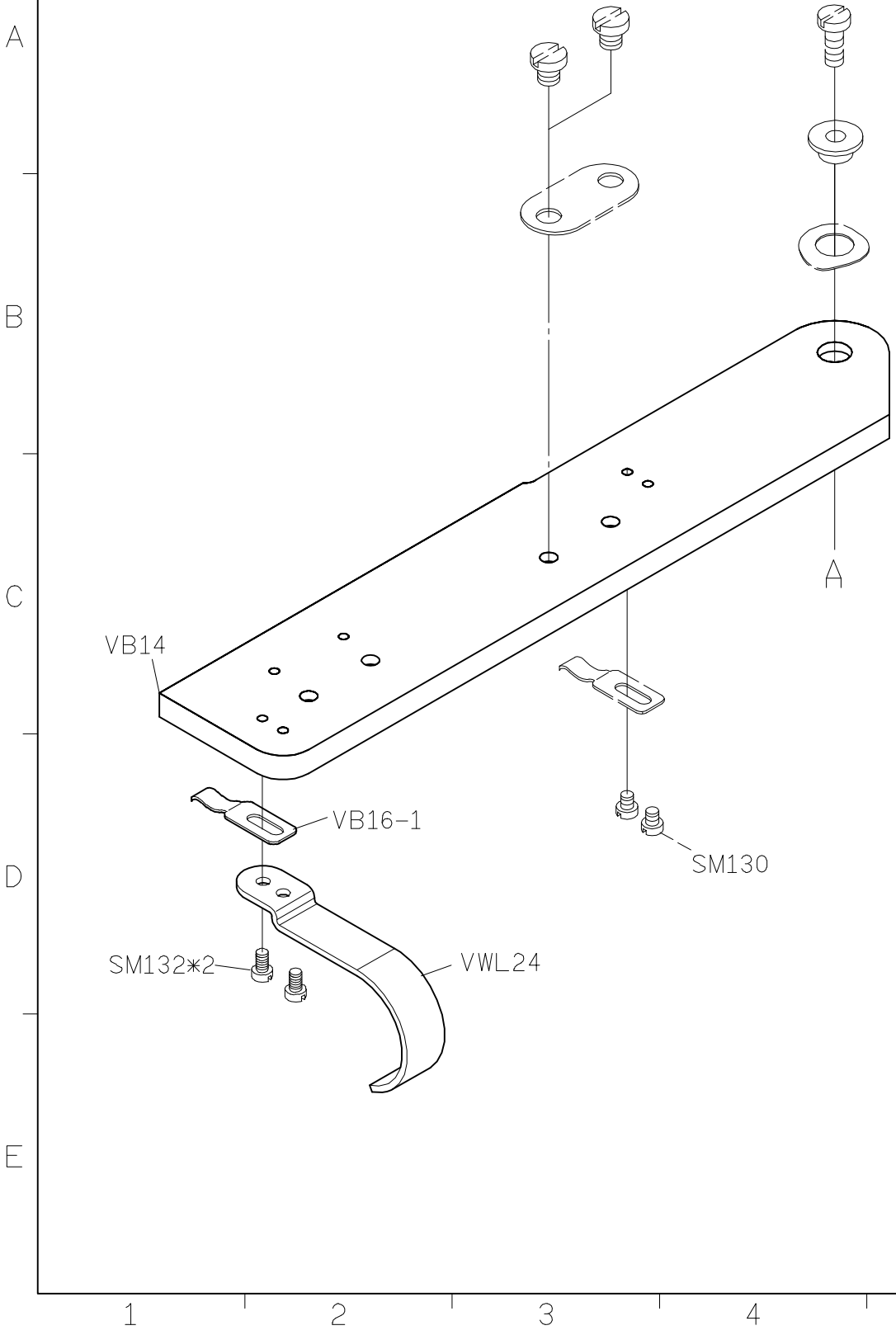
D



E



<b>SIRUBA</b> PARTS LIST	Series	Parts Group	Subclass / Remark	Page
	<b>VC008</b>	<b>VPQK</b>		3/5
				Date
				2012/08/24



<b>SIRUBA</b> <b>PARTS LIST</b>	<b>Series</b>	<b>Parts Group</b>	<b>Subclass / Remark</b>	<b>Page</b>
	<b>VC008</b>	<b>VPQK</b>		<b>4/5</b>
				<b>Date</b>
				<b>2012/08/24</b>

OPTION:VZ09Q-A1(1/2)

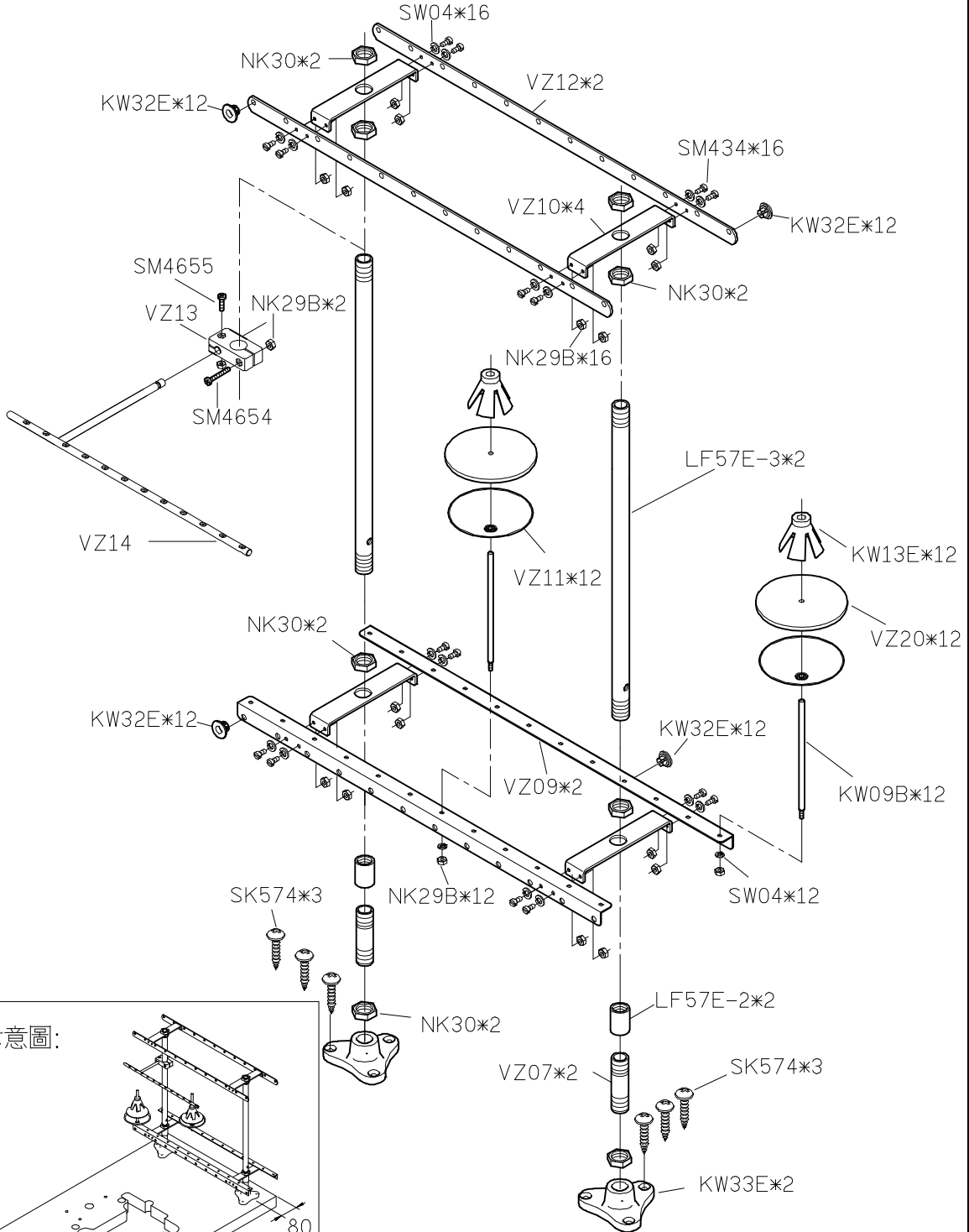
A

B

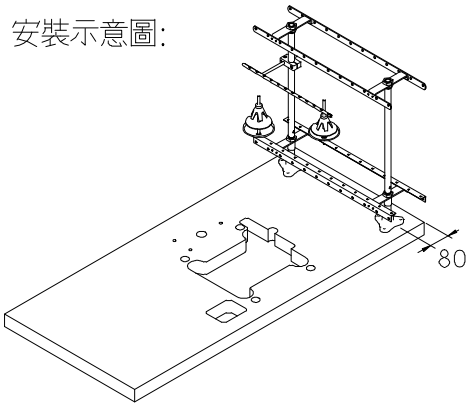
C

D

E



安裝示意圖:



1

2

3

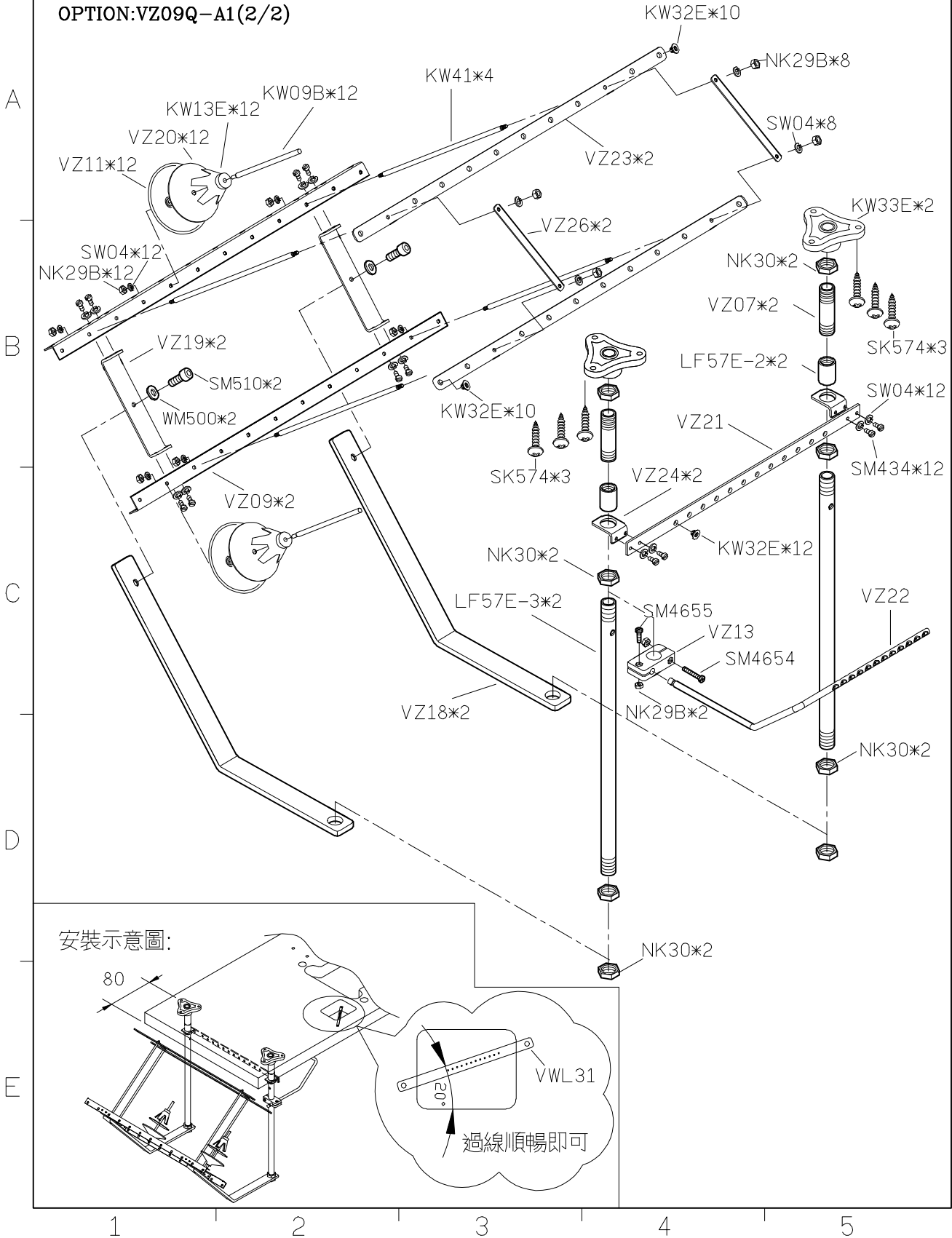
4

5



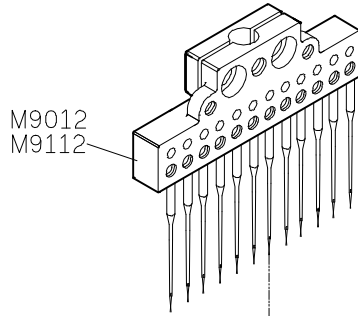
<b>SIRUBA</b> <b>PARTS LIST</b>	<b>Series</b>	<b>Parts Group</b>	<b>Subclass / Remark</b>	<b>Page</b>
	<b>VC008</b>	<b>VPQK</b>		<b>5/5</b>
				<b>Date</b>
				<b>2012/08/24</b>

OPTION:VZ09Q-A1(2/2)

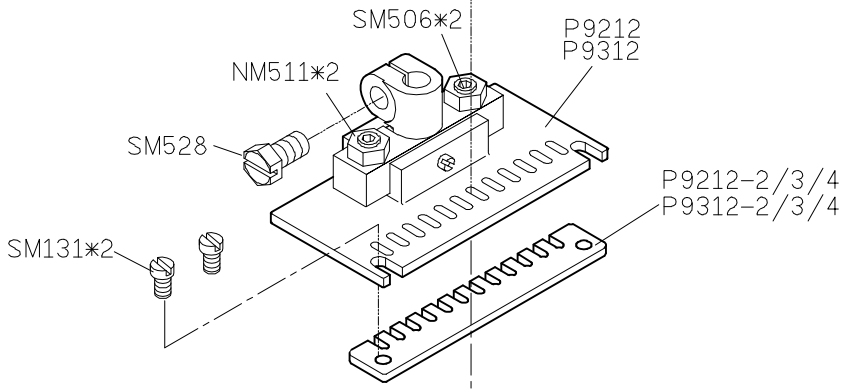


<b>SIRUBA</b> <b>PARTS LIST</b>	<b>Series</b>	<b>Parts Group</b>	<b>Subclass / Remark</b>	<b>Page</b>
	<b>VC008</b>	<b>VPQ</b>		1/2
				<b>Date</b>
				2012/08/24

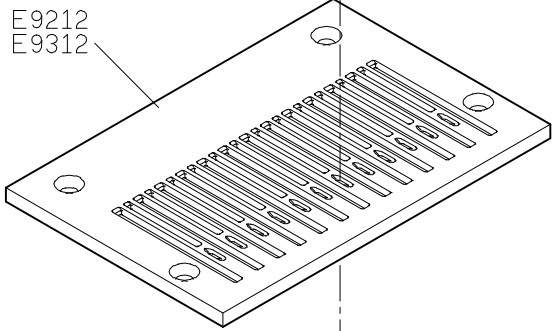
A



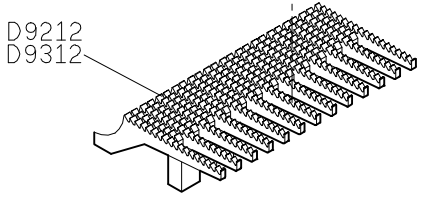
B



C



D



E

1

2

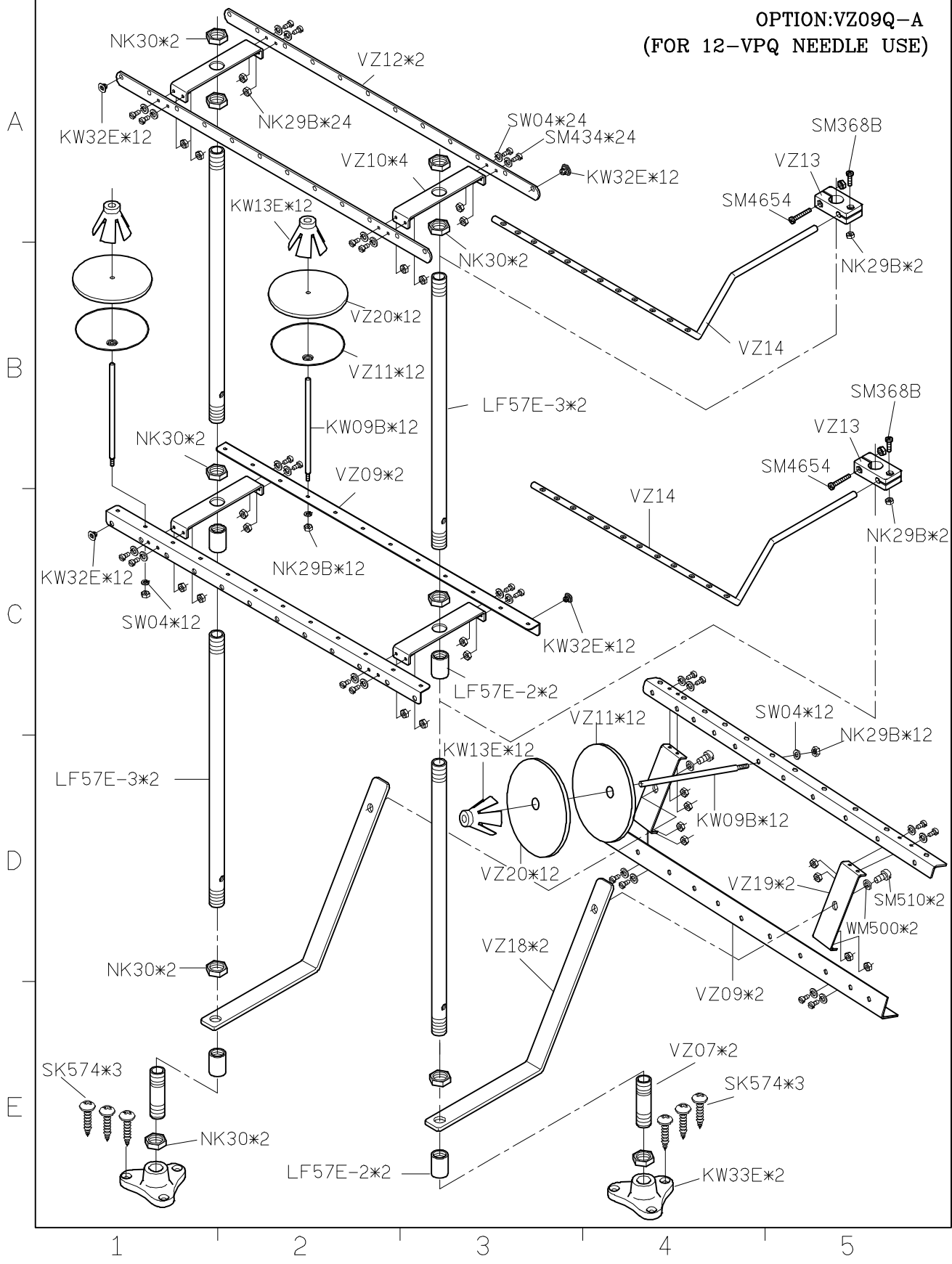
3

4

5

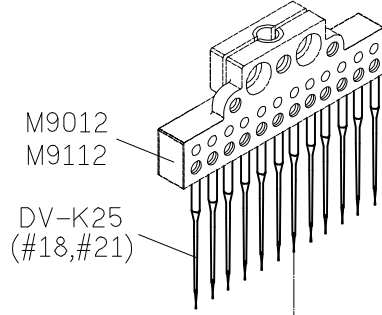
<b>SIRUBA</b> <b>PARTS LIST</b>	<b>Series</b>	<b>Parts Group</b>	<b>Subclass / Remark</b>	<b>Page</b>
	<b>VC008</b>	<b>VPQ</b>		<b>2/2</b>
				<b>Date</b>
				<b>2012/08/24</b>

OPTION:VZ09Q-A  
(FOR 12-VPQ NEEDLE USE)

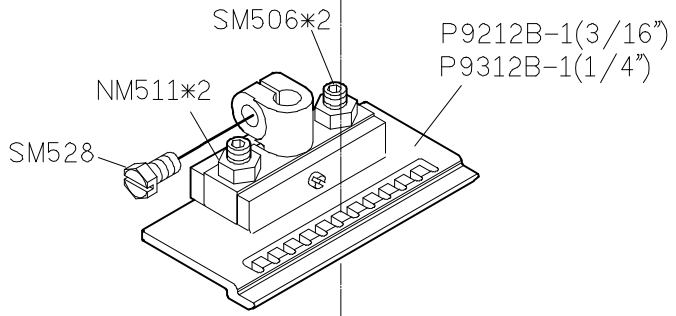


<b>SIRUBA</b> <b>PARTS LIST</b>	<b>Series</b>	<b>Parts Group</b>	<b>Subclass / Remark</b>	<b>Page</b>
	<b>VC008</b>	<b>VPS</b>		1/3
				<b>Date</b>
				2012/08/24

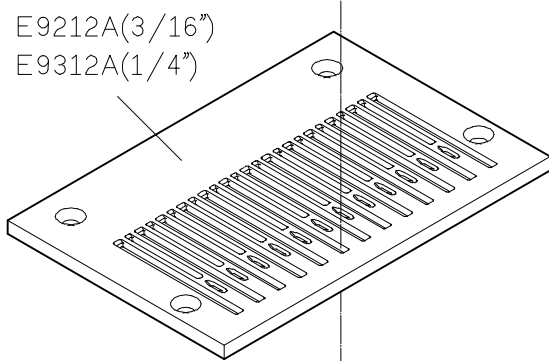
A



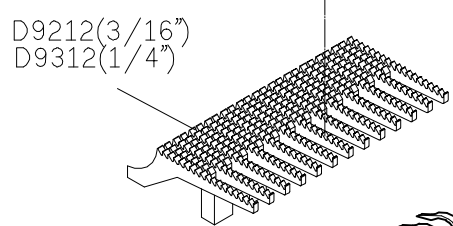
B



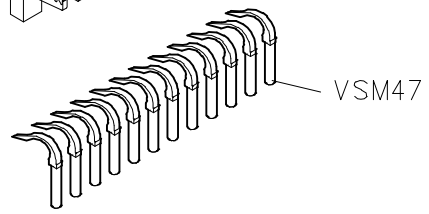
C



D



E



<b>SIRUBA</b> <b>PARTS LIST</b>	<b>Series</b>	<b>Parts Group</b>	<b>Subclass / Remark</b>	<b>Page</b>
	<b>VC008</b>	<b>VPS</b>		<b>2/3</b>
				<b>Date</b>
				<b>2012/08/24</b>

OPTION:VZ09Q-A1(1/2)

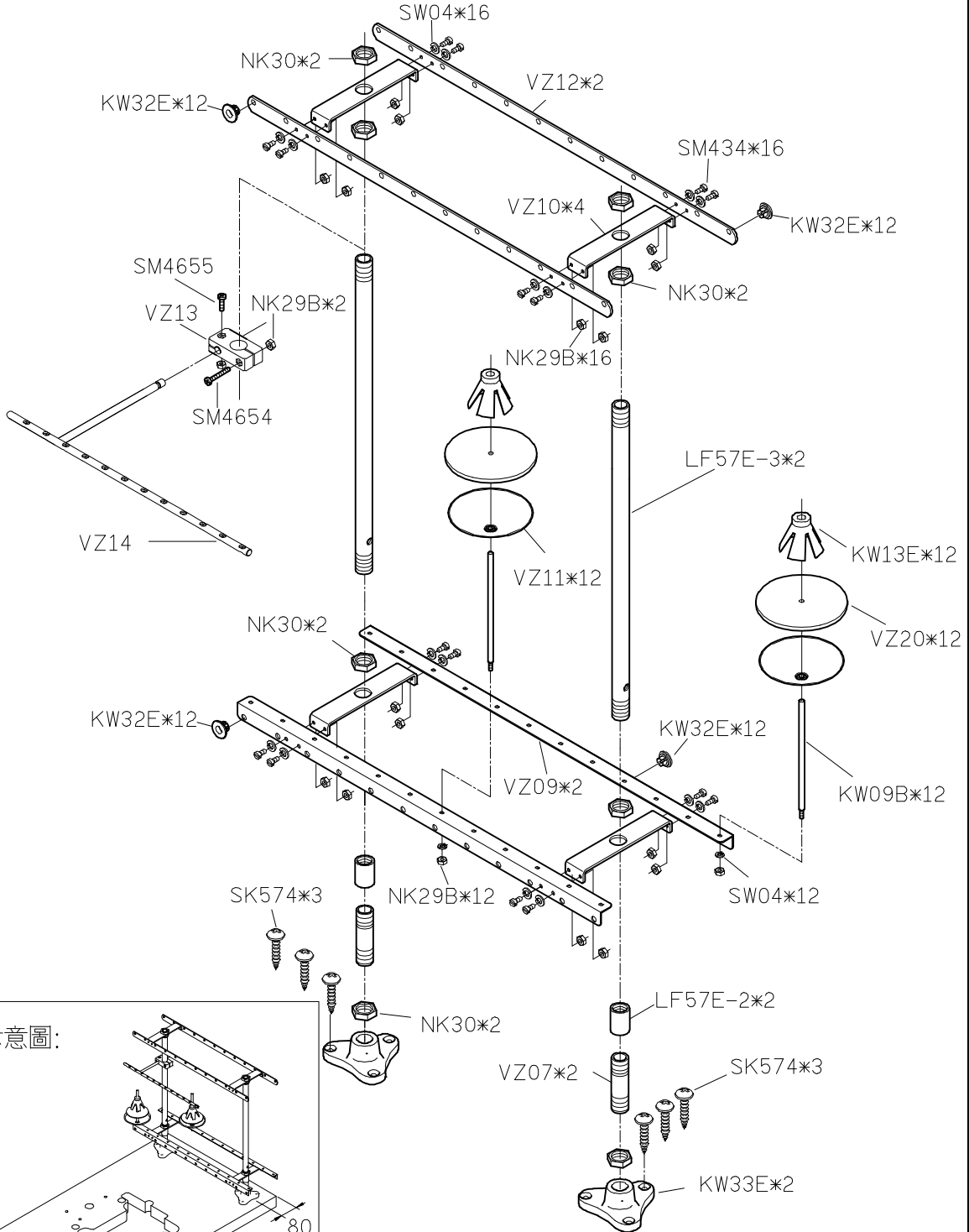
A

B

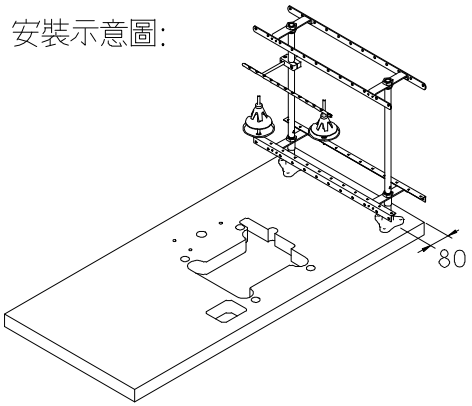
C

D

E



安裝示意圖:



1

2

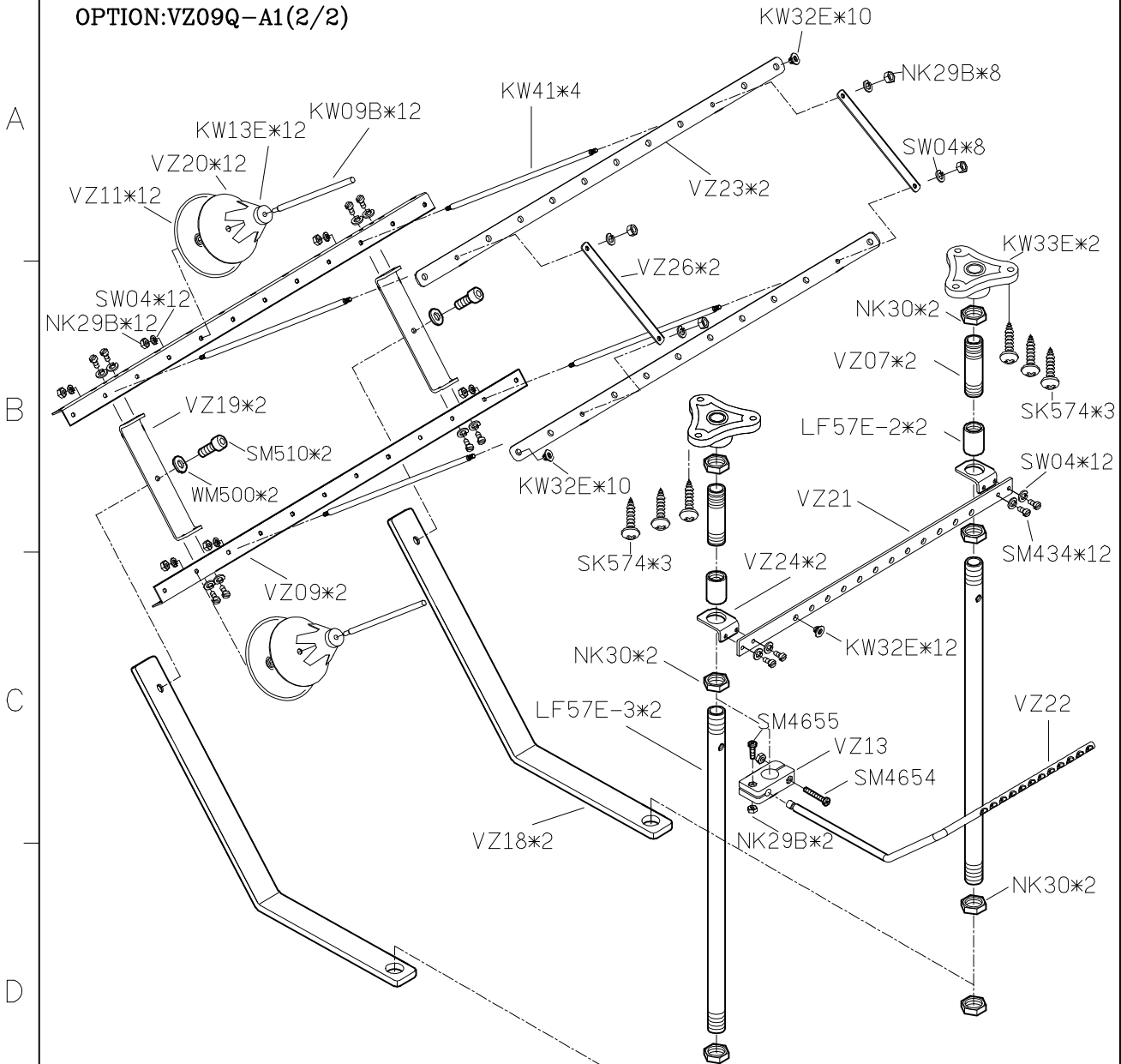
3

4

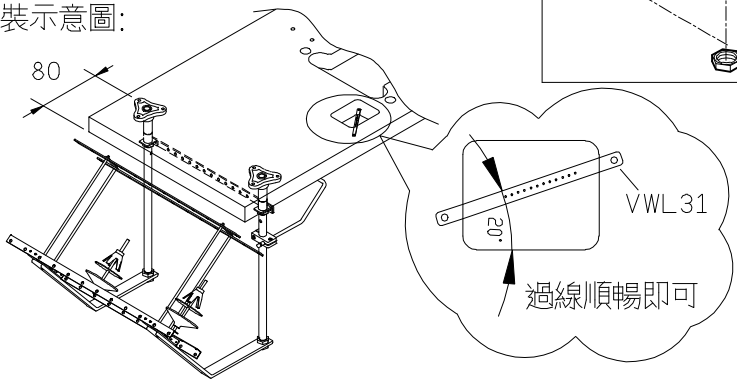
5

SIRUBA PARTS LIST	Series	Parts Group	Subclass / Remark	Page
	VC008	VPS		3/3
				Date
				2012/08/24

OPTION:VZ09Q-A1(2/2)



安裝示意圖:



1

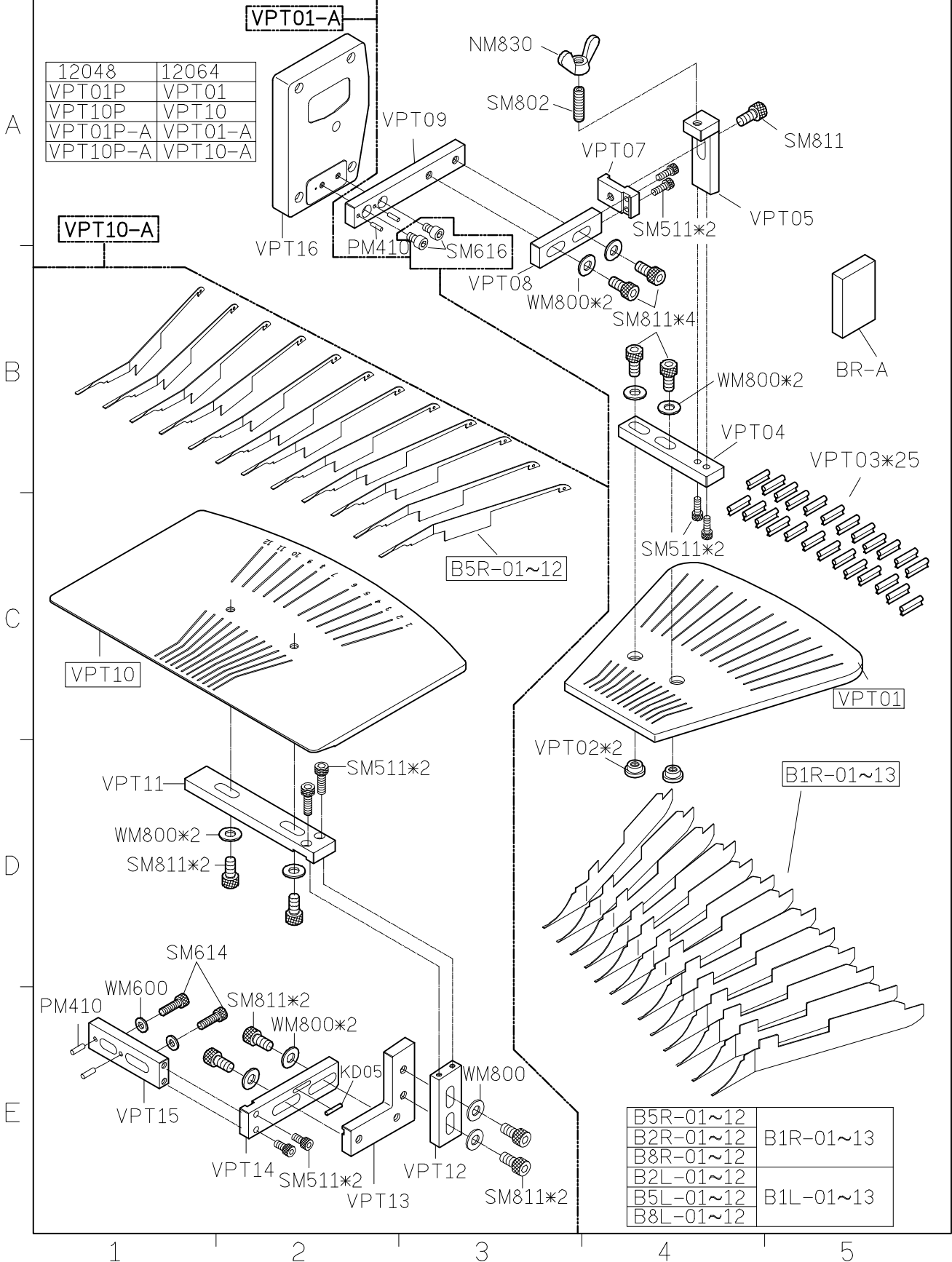
2

3

4

5

<b>SIRUBA</b> <b>PARTS LIST</b>	<b>Series</b>	<b>Parts Group</b>	<b>Subclass / Remark</b>	<b>Page</b>
	<b>VC008</b>	<b>VPT</b>		1/2
				<b>Date</b>
				2012/08/24



12048	12064
VPT01P	VPT01
VPT10P	VPT10
VPT01P-A	VPT01-A
VPT10P-A	VPT10-A

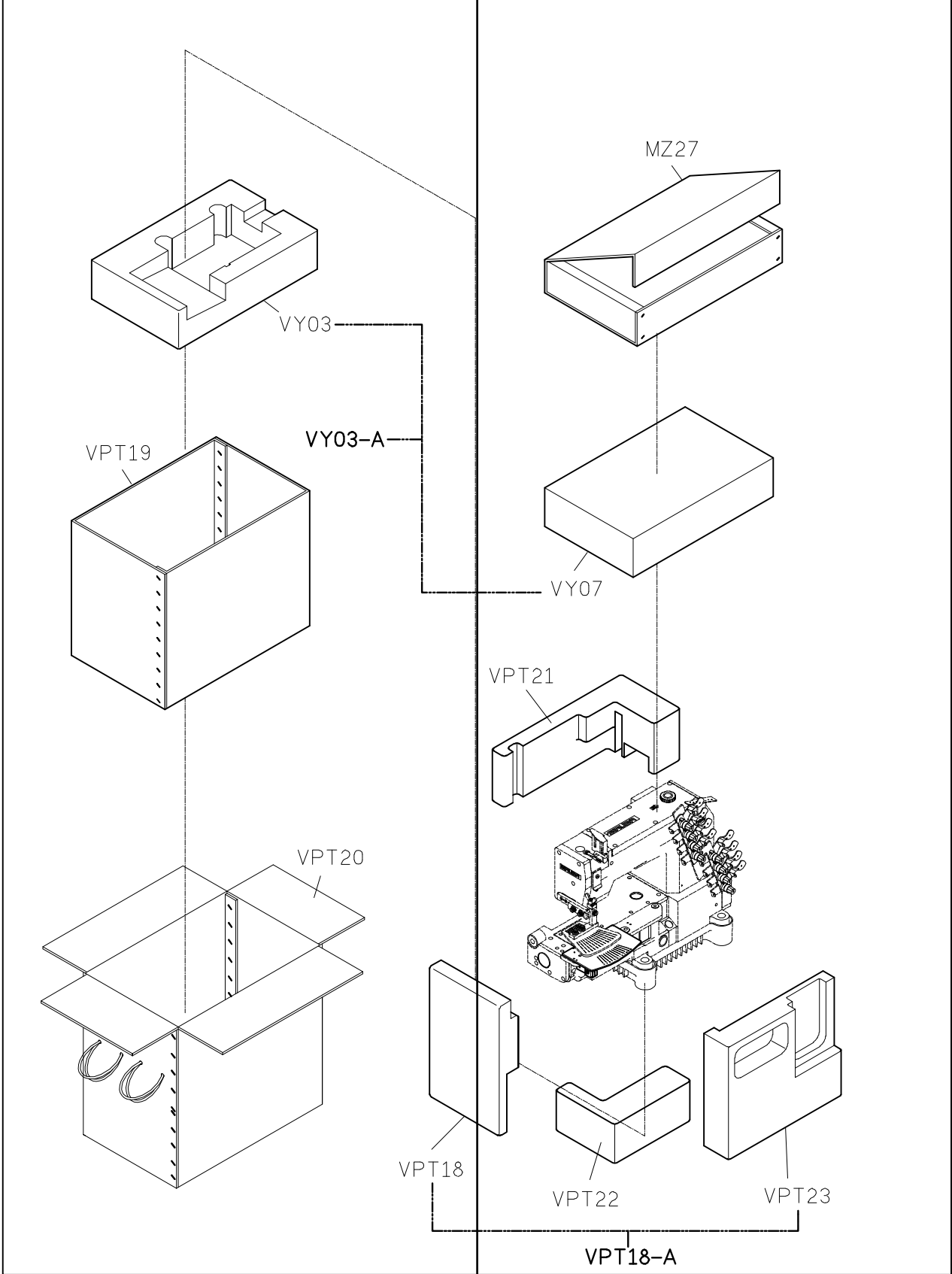
VPT10-A

VPT01-A

B5R-01~12	B1R-01~13
B2R-01~12	B2L-01~12
B8R-01~12	B5L-01~12
B2L-01~12	B8L-01~12
B5L-01~12	
B8L-01~12	

1 2 3 4 5

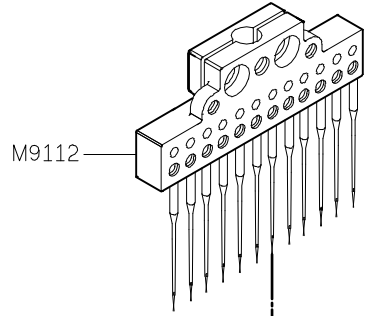
SIRUBA SEQUENCE LIST	Series	Parts Group	Subclass / Remark	Page
	VC008	VPT		2/2
				Date
				2012/03/24



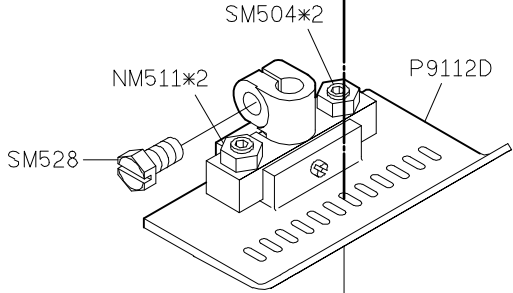


<b>SIRUBA</b> PARTS LIST	Series	Parts Group	Subclass / Remark	Page
	<b>VC008</b>	<b>VSC</b>		1/7
				Date
				2012/08/21

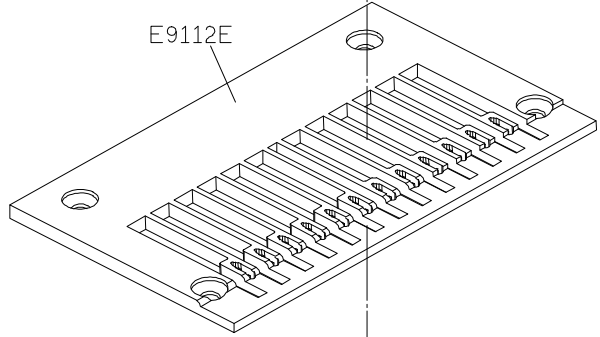
A



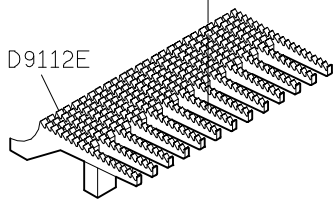
B



C



D



E

1

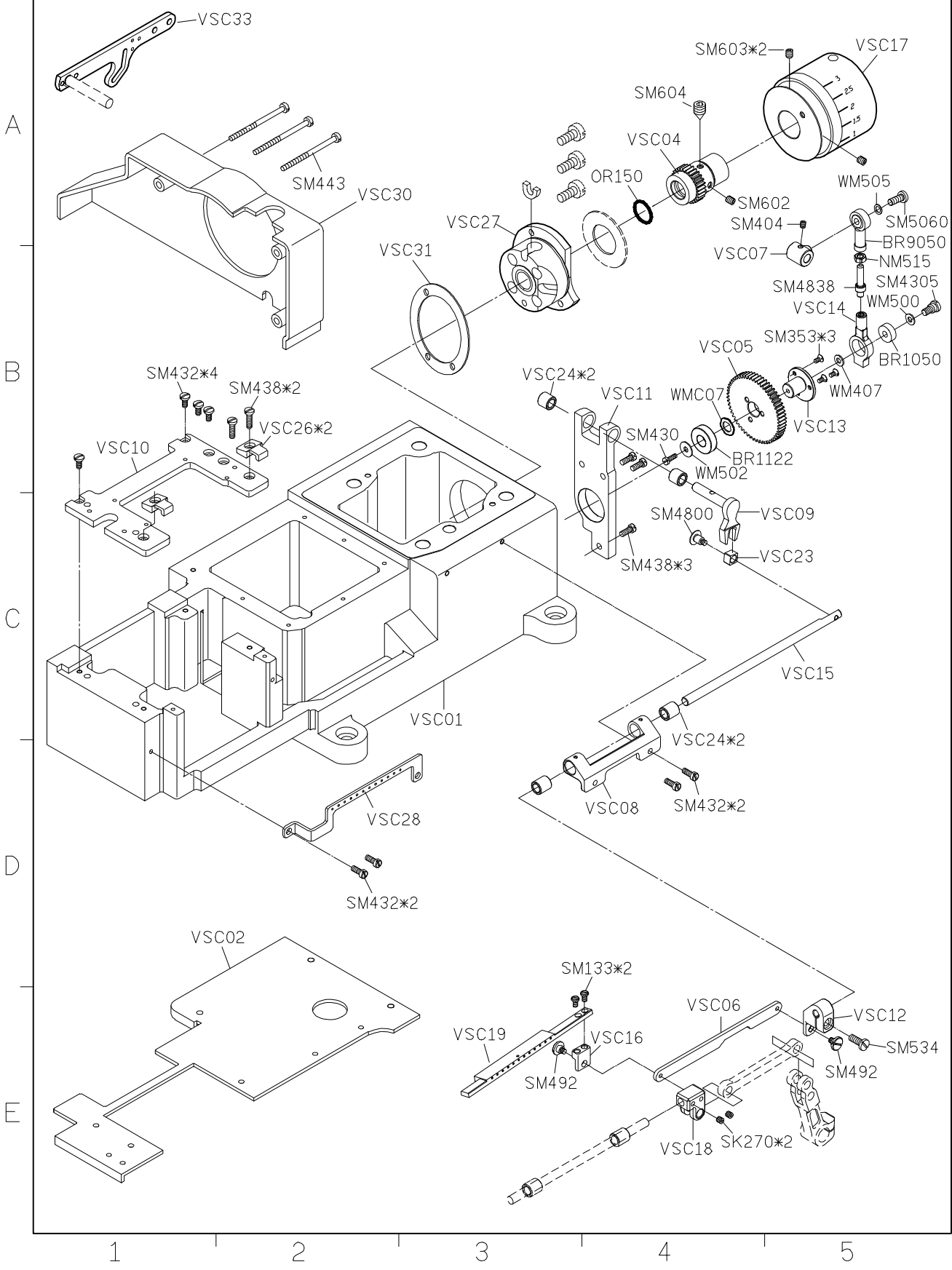
2

3

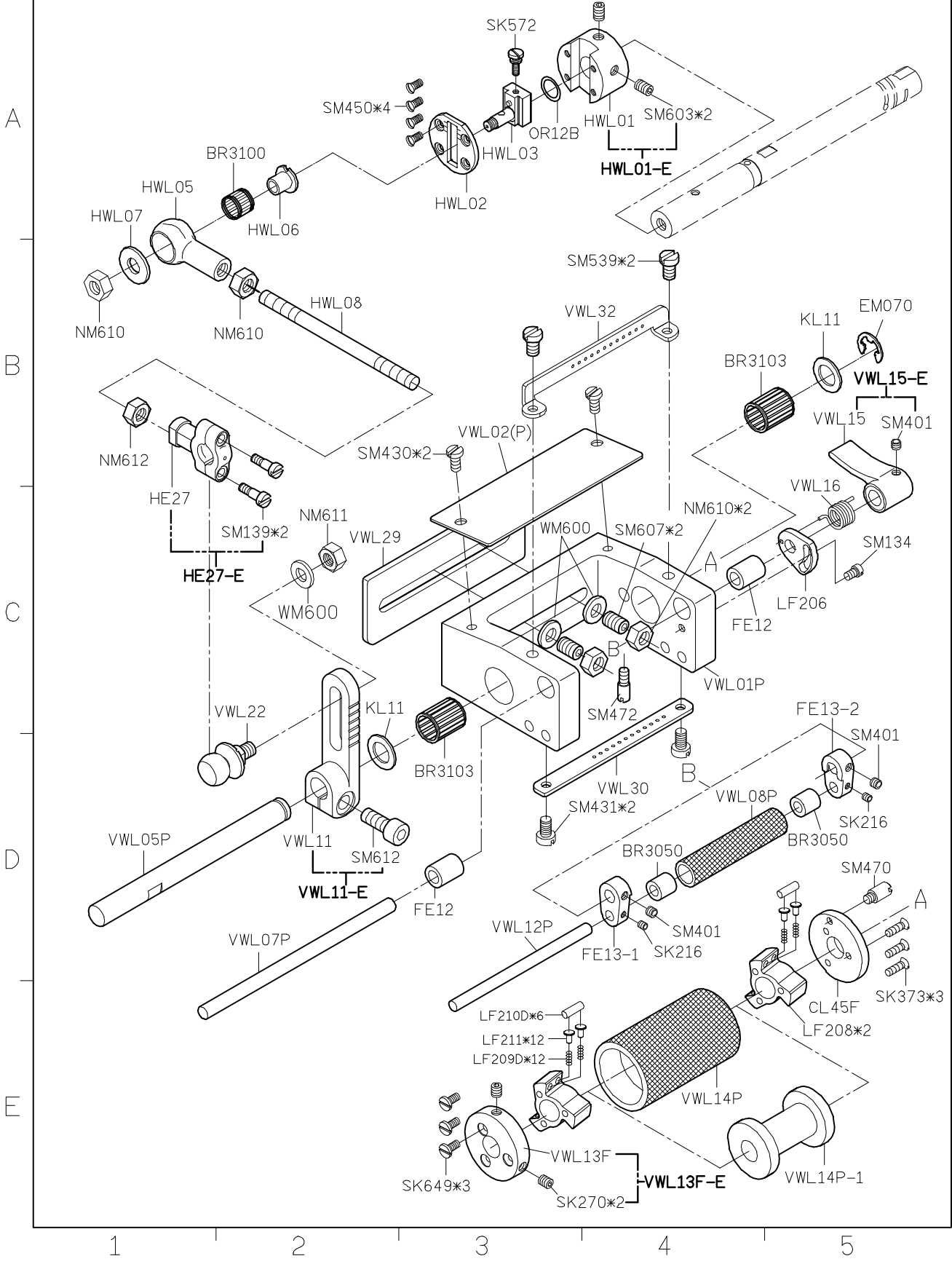
4

5

<b>SIRUBA</b>  <b>PARTS LIST</b>	<b>Series</b>	<b>Parts Group</b>	<b>Subclass / Remark</b>	<b>Page</b>
	<b>VC008</b>	<b>VSC</b>		<b>2/7</b>
				<b>Date</b>
				<b>2012/08/21</b>



<b>SIRUBA</b> <b>PARTS LIST</b>	<b>Series</b>	<b>Parts Group</b>	<b>Subclass / Remark</b>	<b>Page</b>
	<b>VC008</b>	<b>VSC</b>		<b>3/7</b>
				<b>Date</b>
				<b>2012/08/21</b>



<b>SIRUBA</b> PARTS LIST	Series	Parts Group	Subclass / Remark	Page
	<b>VC008</b>	<b>VSC</b>		4/7
				Date
				2012/08/21

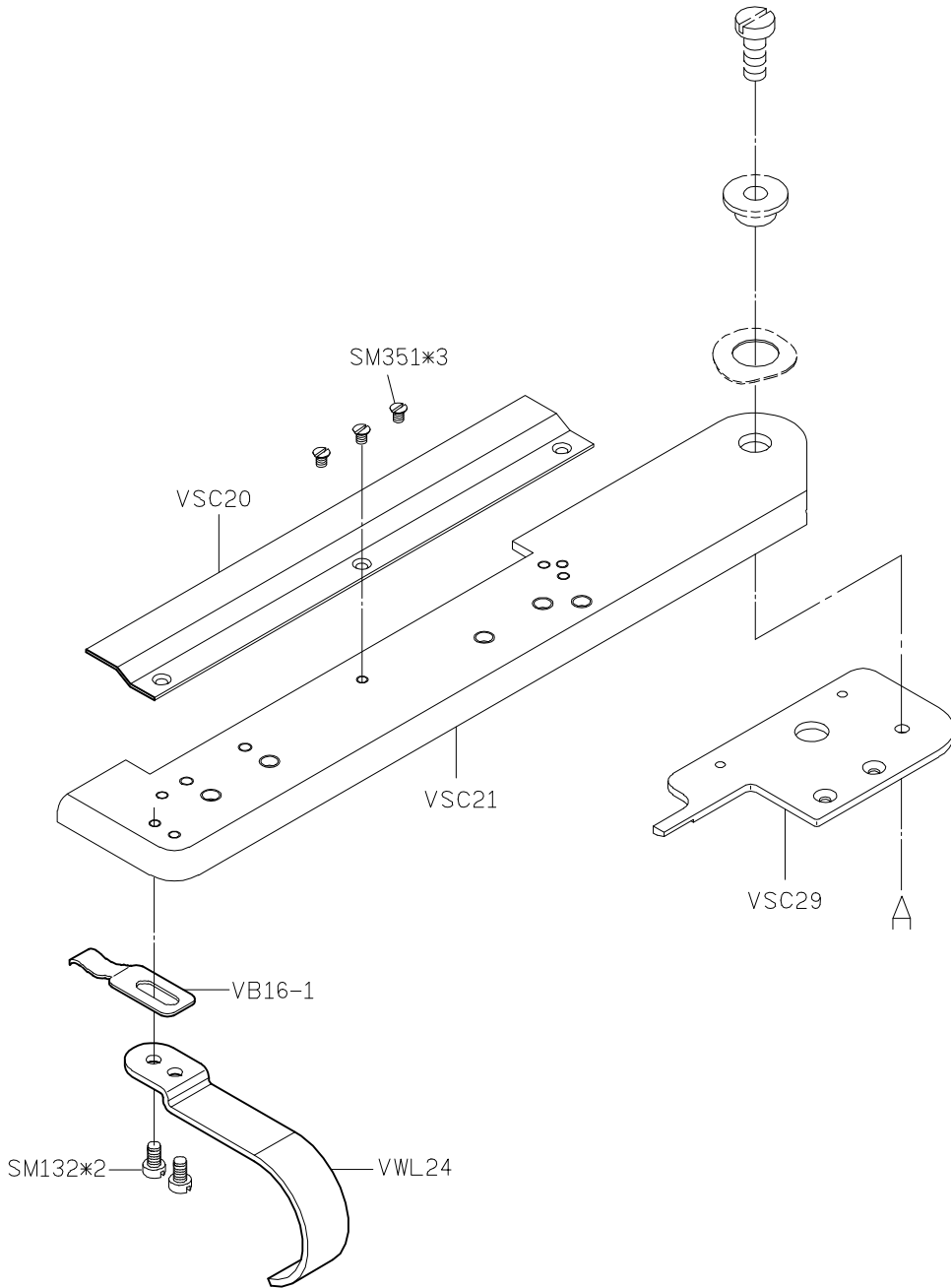
A

B

C

D

E



1

2

3

4

5

<b>SIRUBA</b> <b>PARTS LIST</b>	<b>Series</b>	<b>Parts Group</b>	<b>Subclass / Remark</b>	<b>Page</b>
	<b>VC008</b>	<b>VSC</b>		5/7
				<b>Date</b>
				2012/08/21

OPTION:VZ09C-A(1/2)

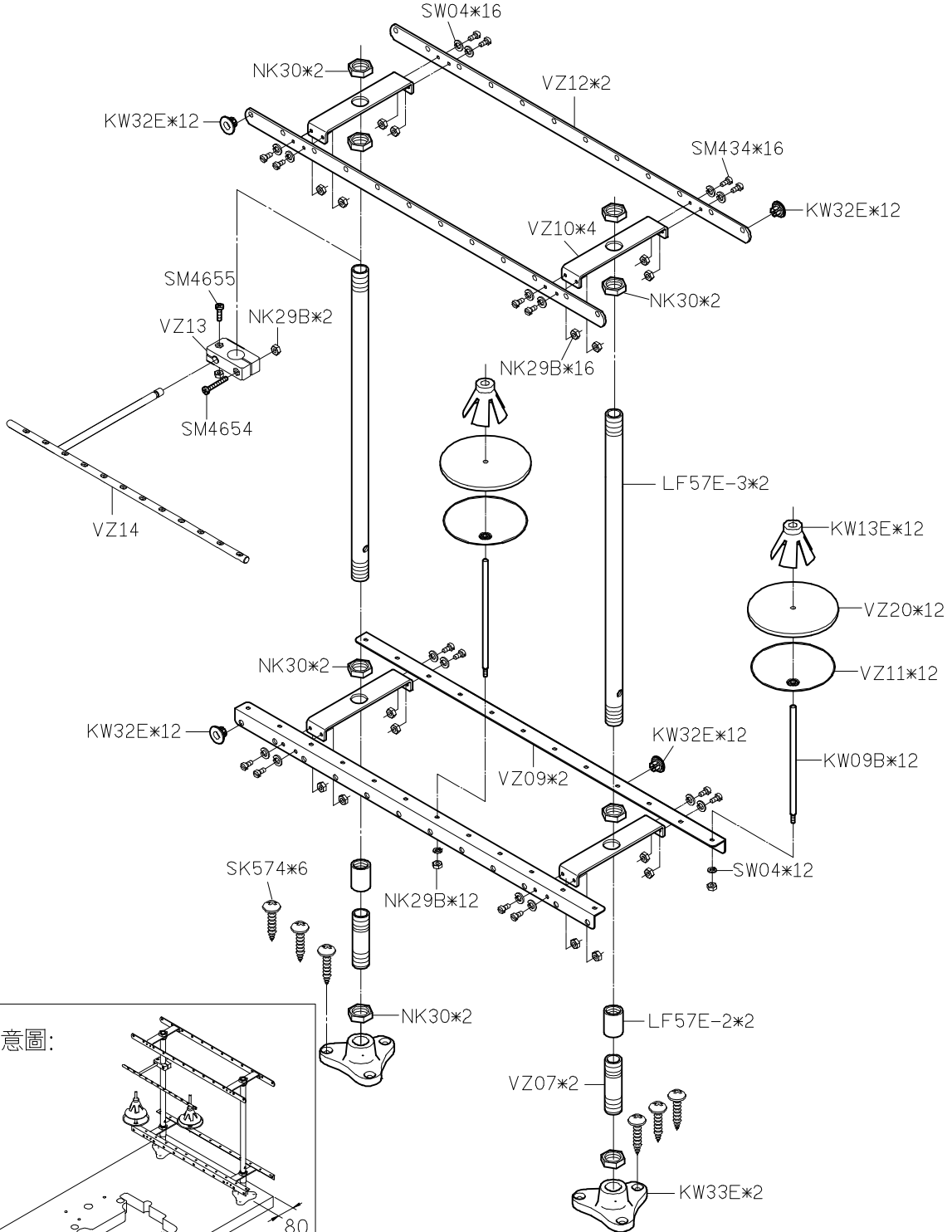
A

B

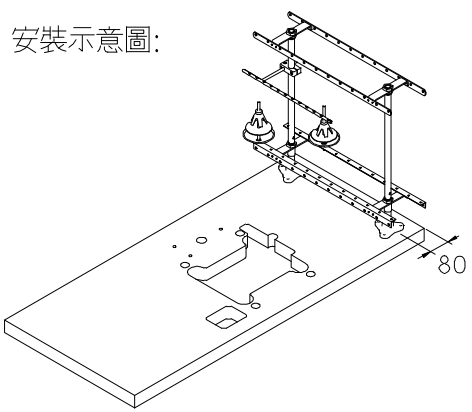
C

D

E



安裝示意圖:



1

2

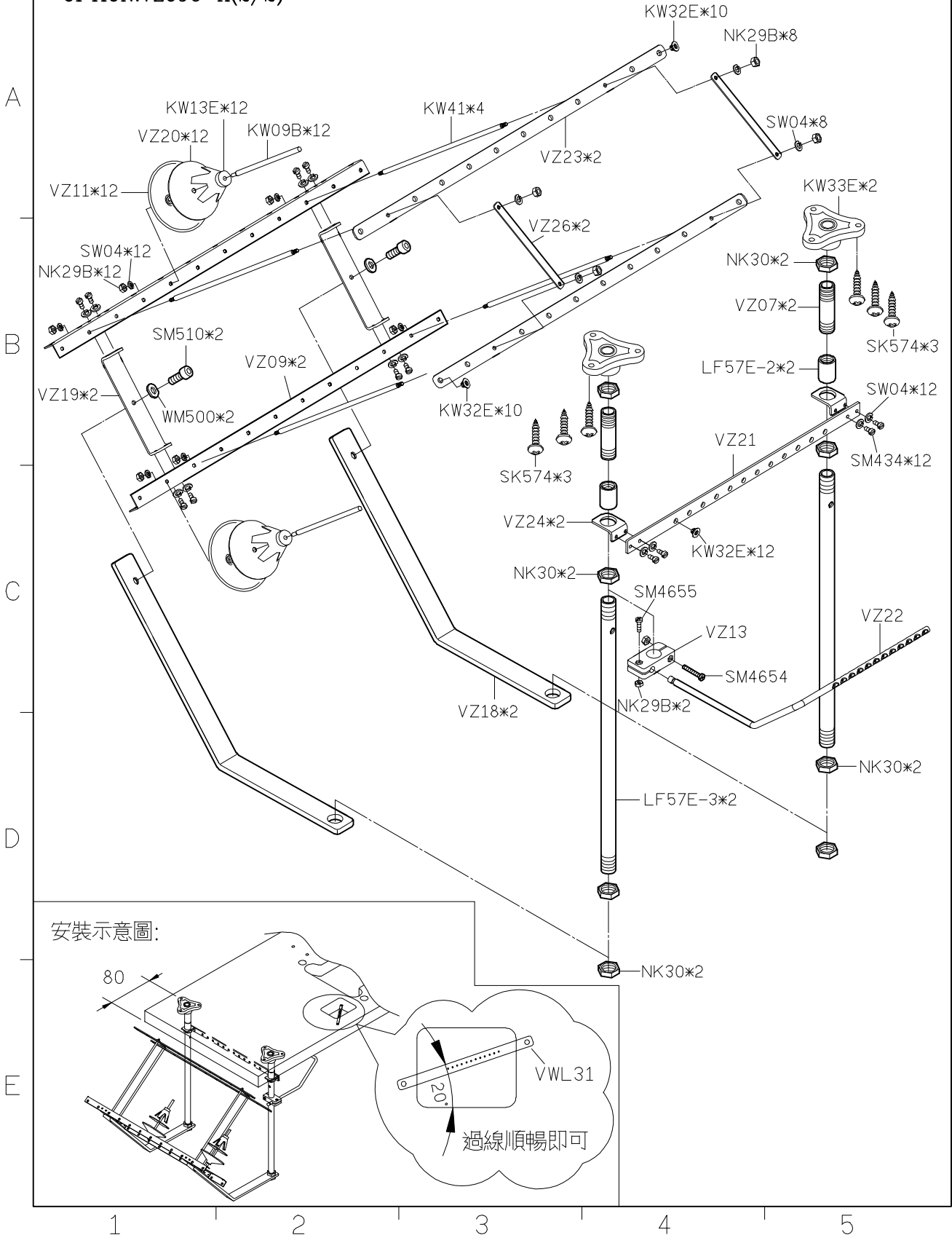
3

4

5

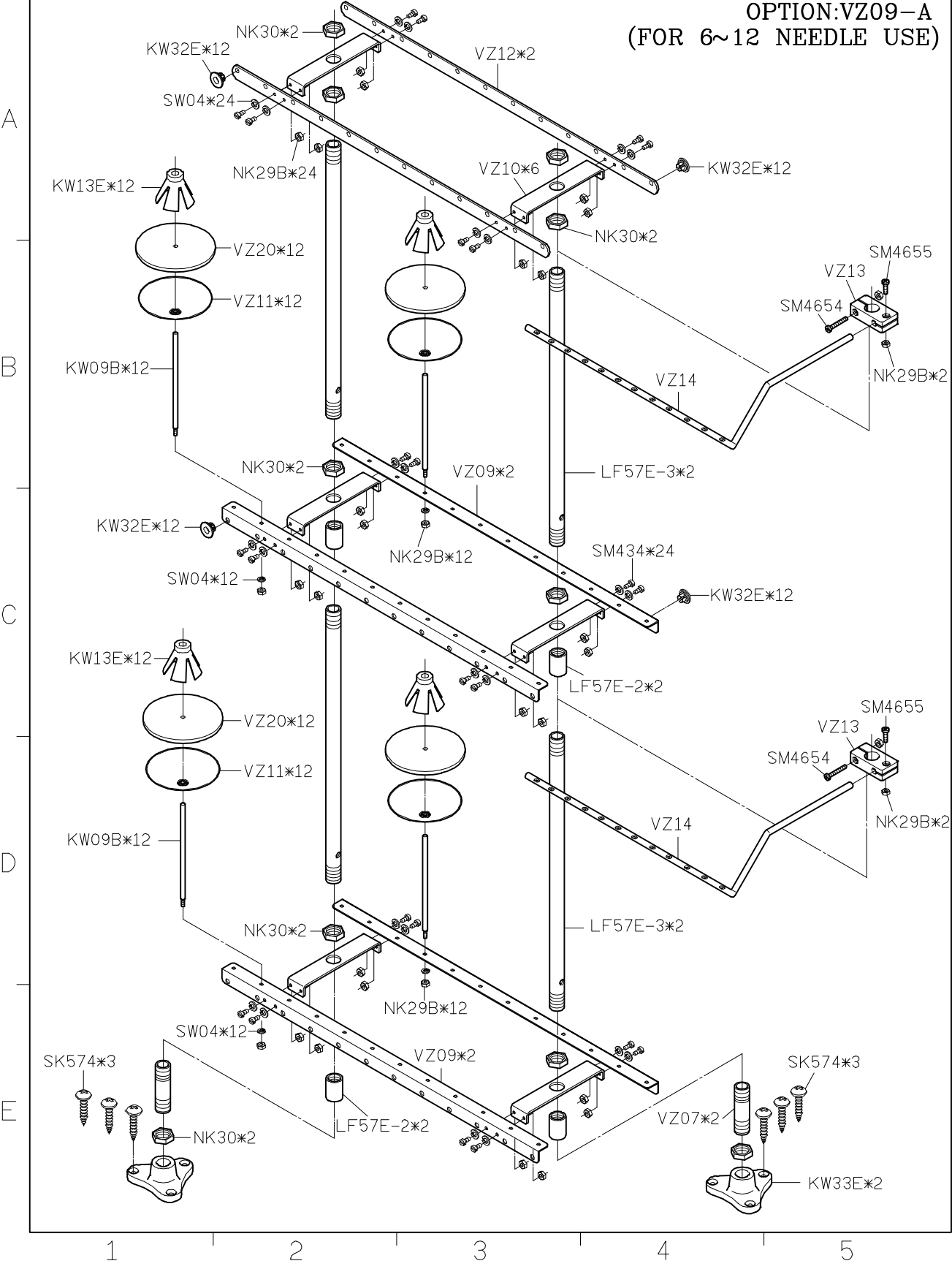
<b>SIRUBA</b> <b>PARTS LIST</b>	<b>Series</b>	<b>Parts Group</b>	<b>Subclass / Remark</b>	<b>Page</b>
	<b>VC008</b>	<b>VSC</b>		6/7
				<b>Date</b>
				2012/08/21

OPTION:VZ09C-A(2/2)



<b>SIRUBA</b> <b>PARTS LIST</b>	<b>Series</b>	<b>Parts Group</b>	<b>Subclass / Remark</b>	<b>Page</b>
	<b>VC008</b>	<b>VSC</b>		7/7
				<b>Date</b>
				2012/08/21

OPTION:VZ09-A  
(FOR 6~12 NEEDLE USE)



<b>SIRUBA</b> <b>PARTS LIST</b>	<b>Series</b>		<b>Parts Group</b>	<b>Subclass / Remark</b>	<b>Page</b>
	<b>VC008</b>		<b>VSF</b>		1/1
					<b>Date</b>
					2012/08/21

規格 SVB CLASS 代號 CODE	產品寬 FINISHED SIZE	入布寬 TAPE SIZE	針距 NEEDLE HOLDER	機種 MODEL
B529	13/8"	23/8"	1/4- 3/4- 1/4	0464-191
B529P	11/2"	21/2"	3/16- 1- 3/16	0448-254
B529Q	15/8"	25/8"	1/4- 1- 1/4	0464-254

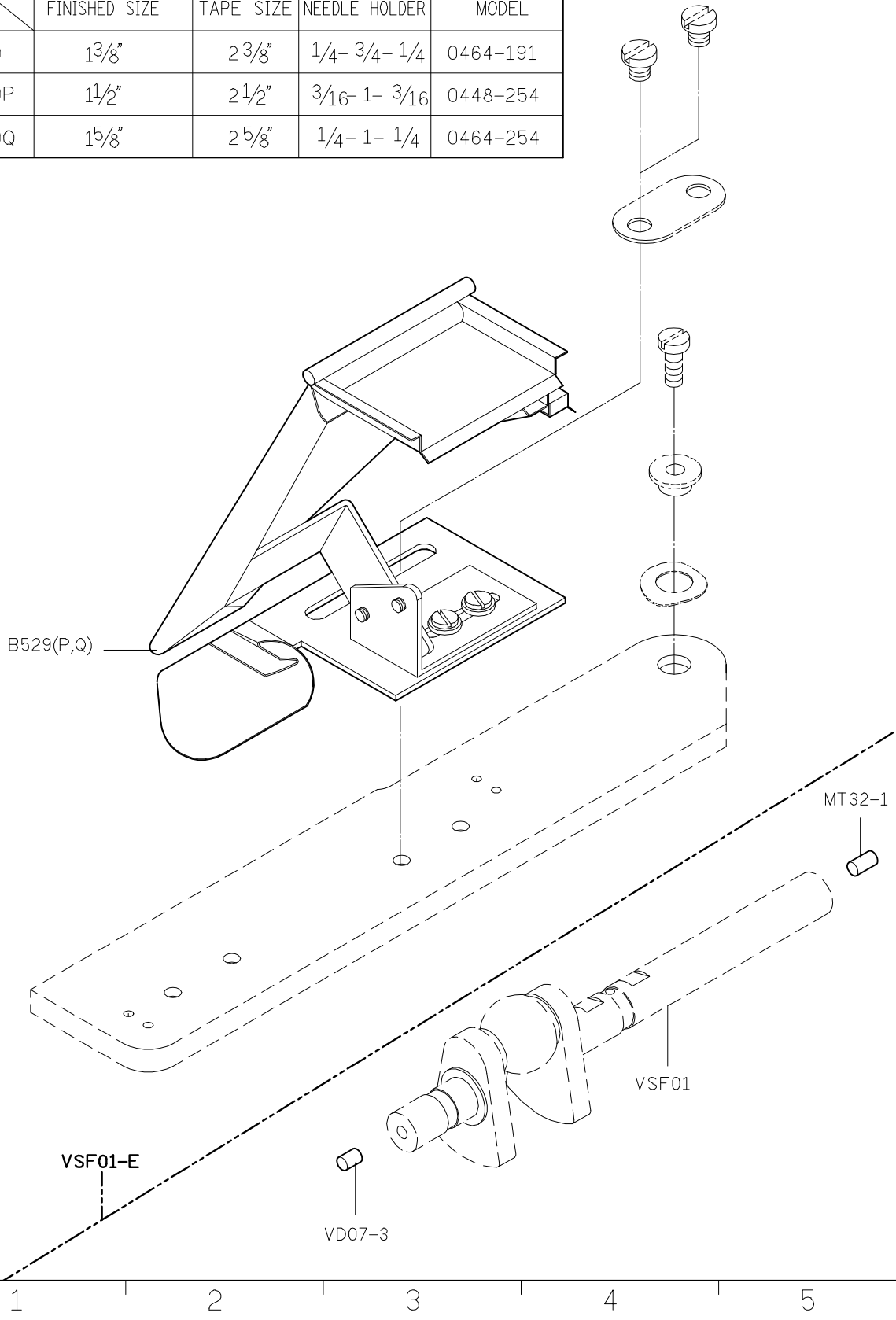
A

B

C

D

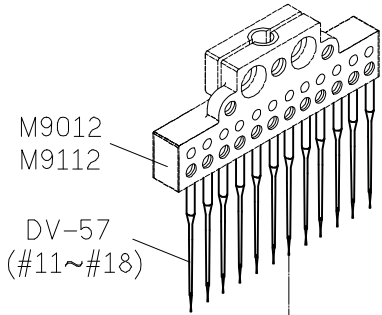
E



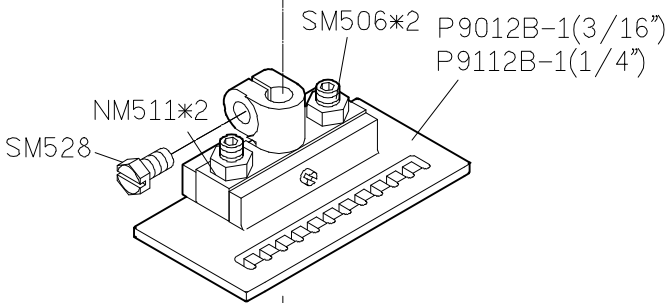


<b>SIRUBA</b> PARTS LIST	Series	Parts Group	Subclass / Remark	Page
	<b>VC008</b>	<b>VSM</b>		1/15
				Date
				2012/08/23

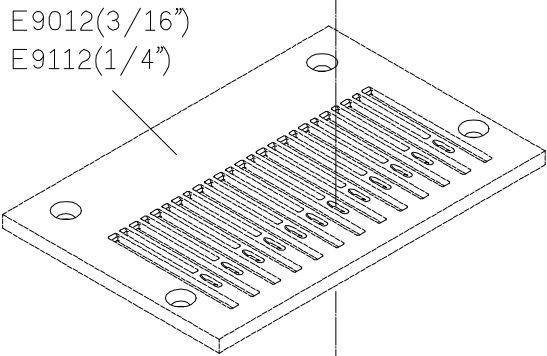
A



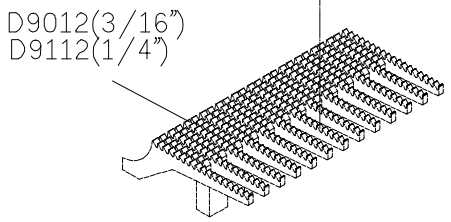
B



C



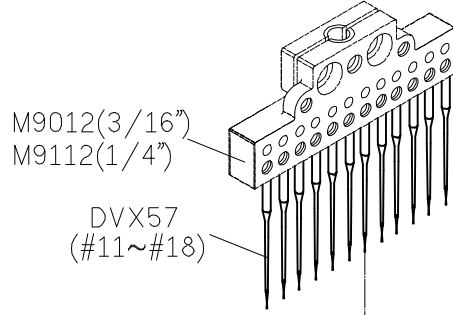
D



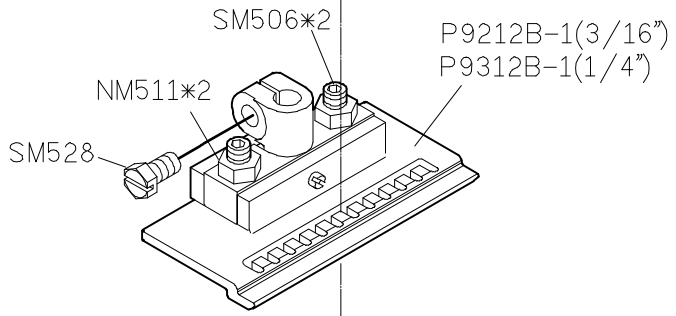
E

<b>SIRUBA</b> <b>PARTS LIST</b>	<b>Series</b>	<b>Parts Group</b>	<b>Subclass / Remark</b>	<b>Page</b>
	<b>VC008</b>	<b>VSSM</b>		2/15
				<b>Date</b>
				2012/08/23

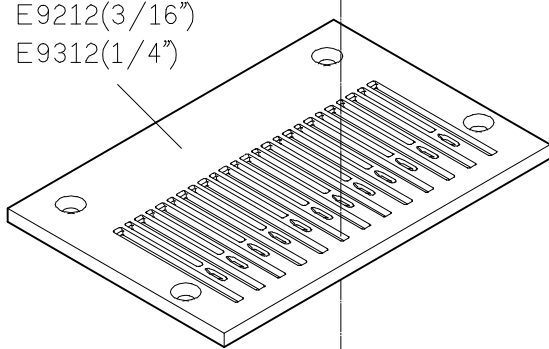
A



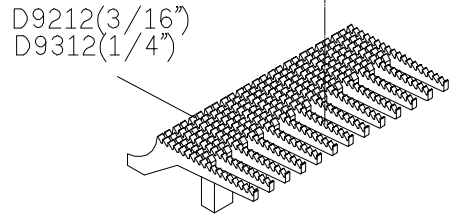
B



C



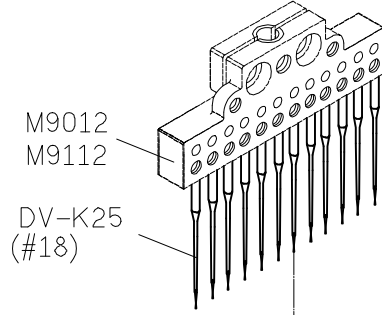
D



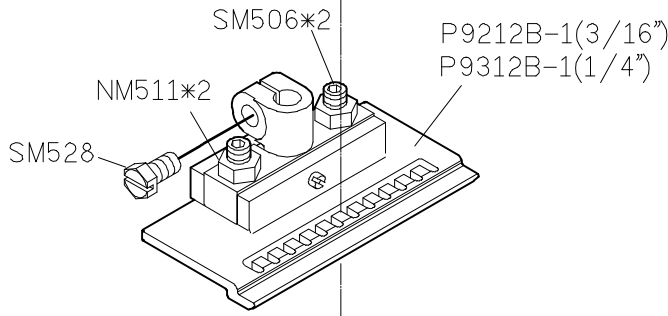
E

<b>SIRUBA</b> <b>PARTS LIST</b>	<b>Series</b>	<b>Parts Group</b>	<b>Subclass / Remark</b>	<b>Page</b>
	<b>VC008</b>	<b>VSQ</b>		3/15
				<b>Date</b>
				2012/08/23

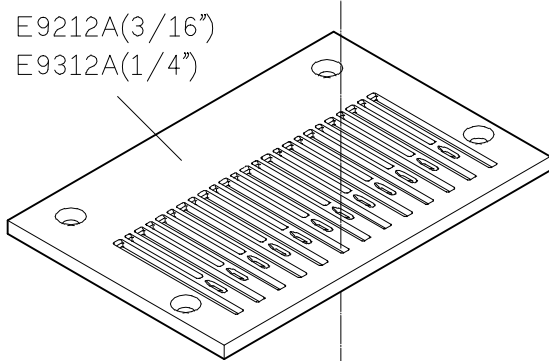
A



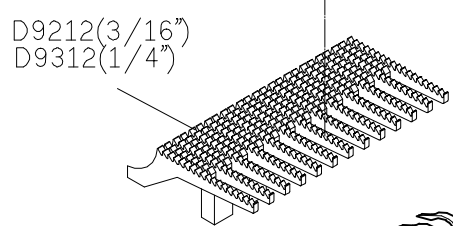
B



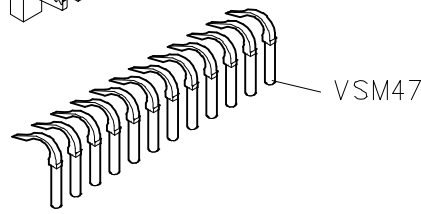
C



D

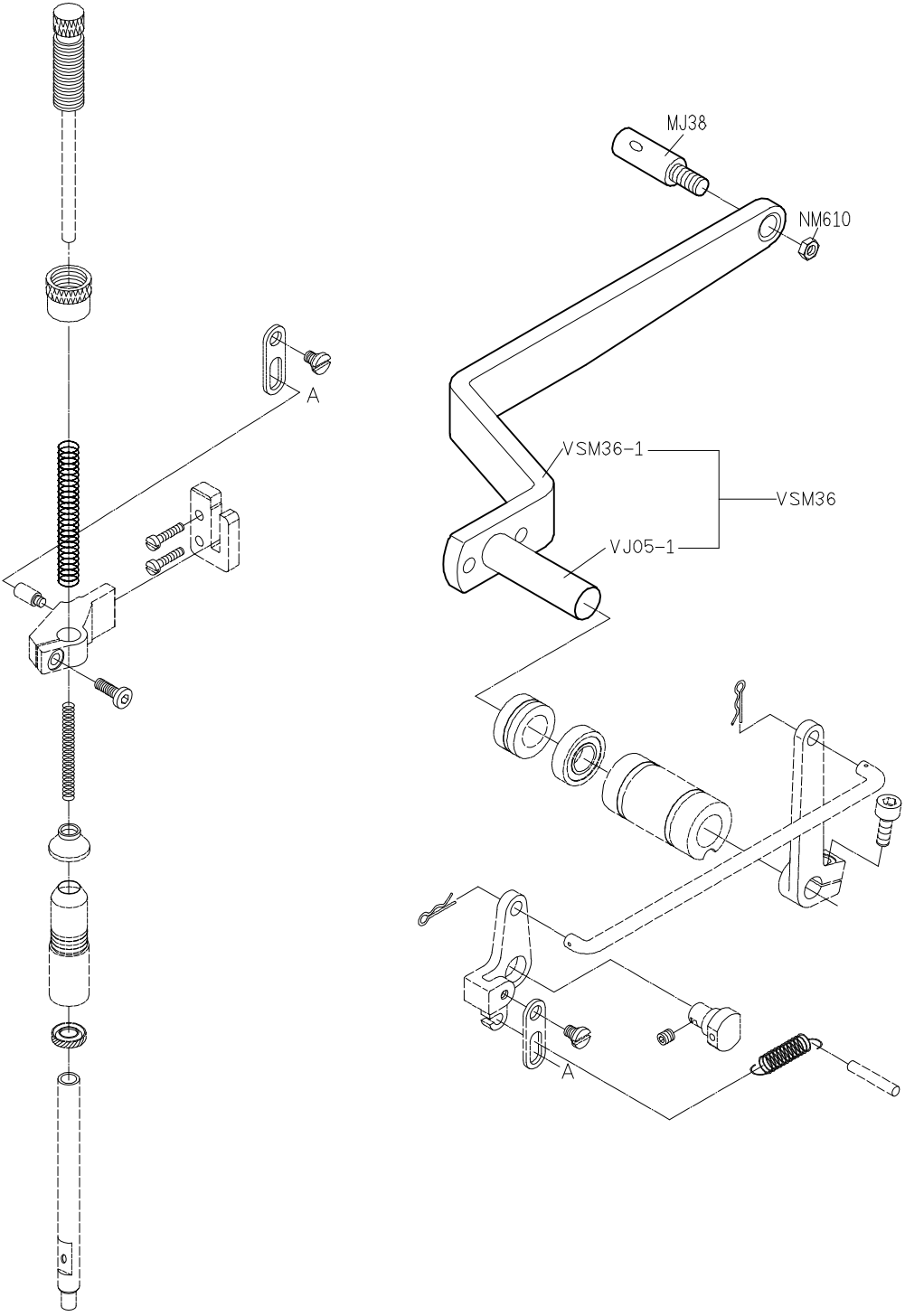


E



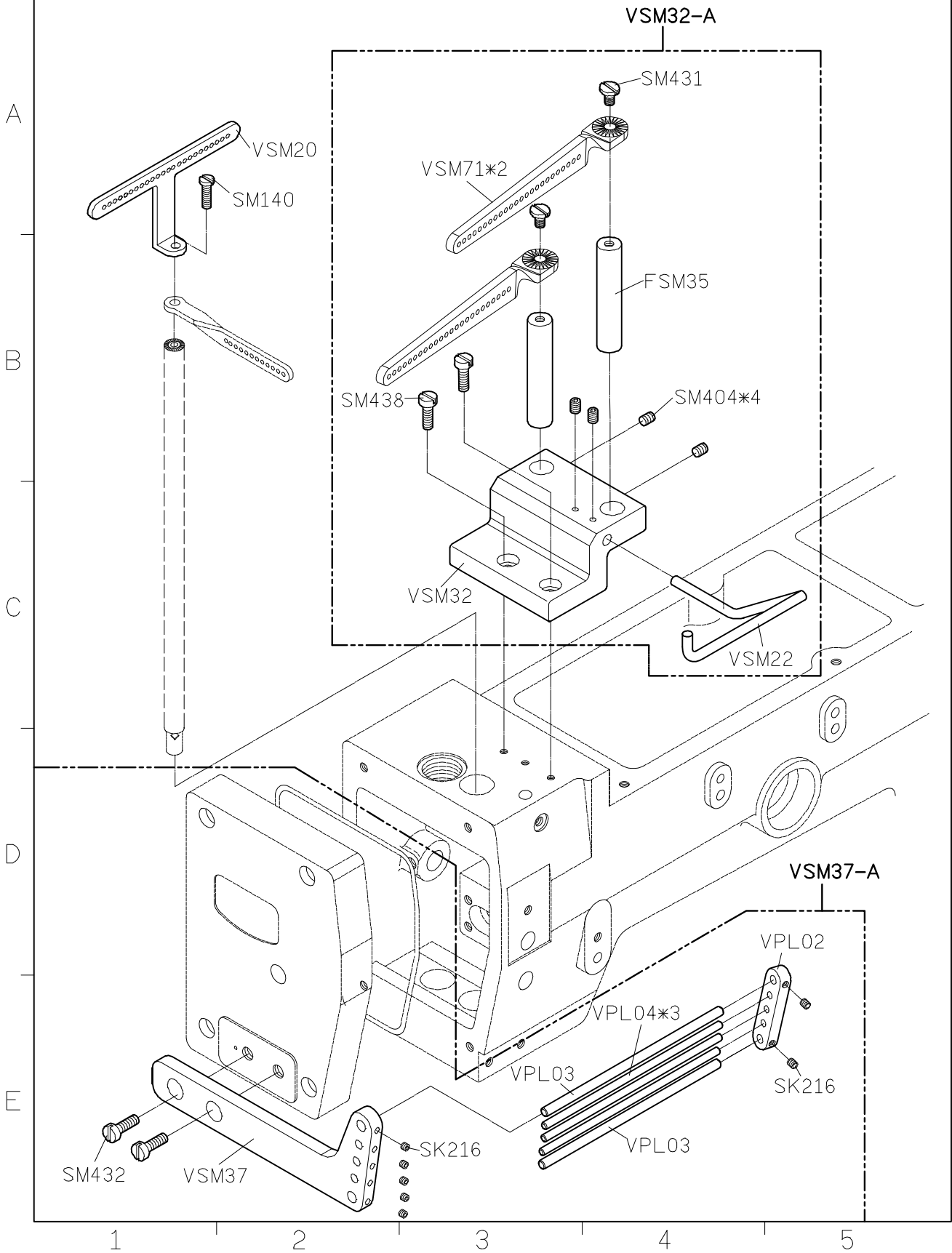
SIRUBA PARTS LIST	Series	Parts Group	Subclass / Remark	Page
	VC008	VSM/VSSM VSQ		4/15
				Date
				2012/08/23

A  
B  
C  
D  
E

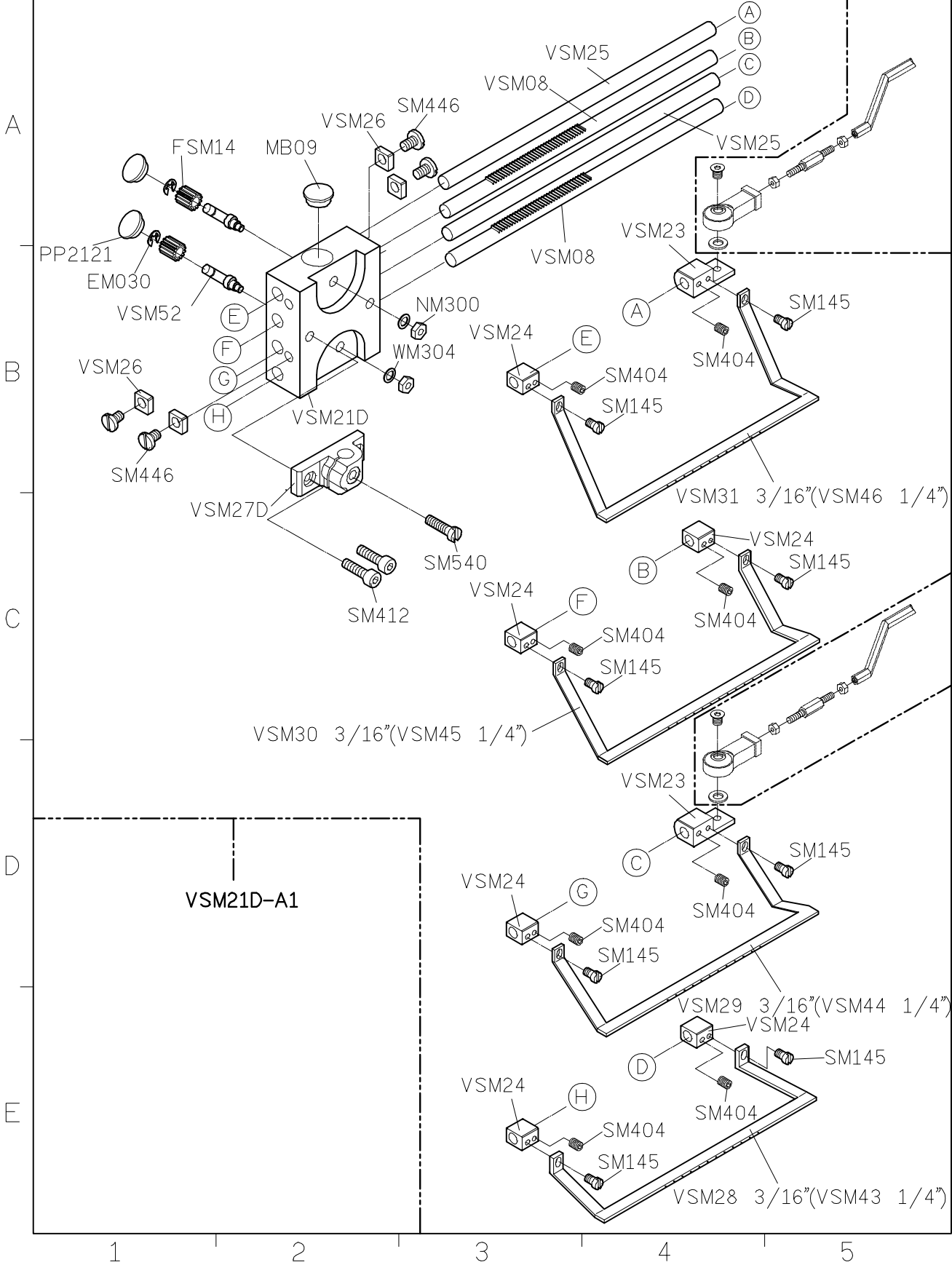


1 2 3 4 5

<b>SIRUBA</b> PARTS LIST	Series	Parts Group	Subclass / Remark	Page
	<b>VC008</b>	<b>VSM/VSSM</b> <b>VSQ</b>		5/15
				Date
				2012/08/23



<b>SIRUBA</b> <b>PARTS LIST</b>	<b>Series</b>	<b>Parts Group</b>	<b>Subclass / Remark</b>	<b>Page</b>
	<b>VC008</b>	<b>VSM/VSSM</b>		<b>6/15</b>
		<b>VSQ</b>		<b>Date</b>
				<b>2012/09/23</b>



VSM101	VSM602L
VSM222	VSM202
VSM101 / VSM222	VSM211L
	VSM231L
	VSM311L
	VSM371L
	VSM391L
	VSM392L
	VSM471L
	VSM482L
	VSM545L
	VSM592L
VSM671L	
VSM674L	

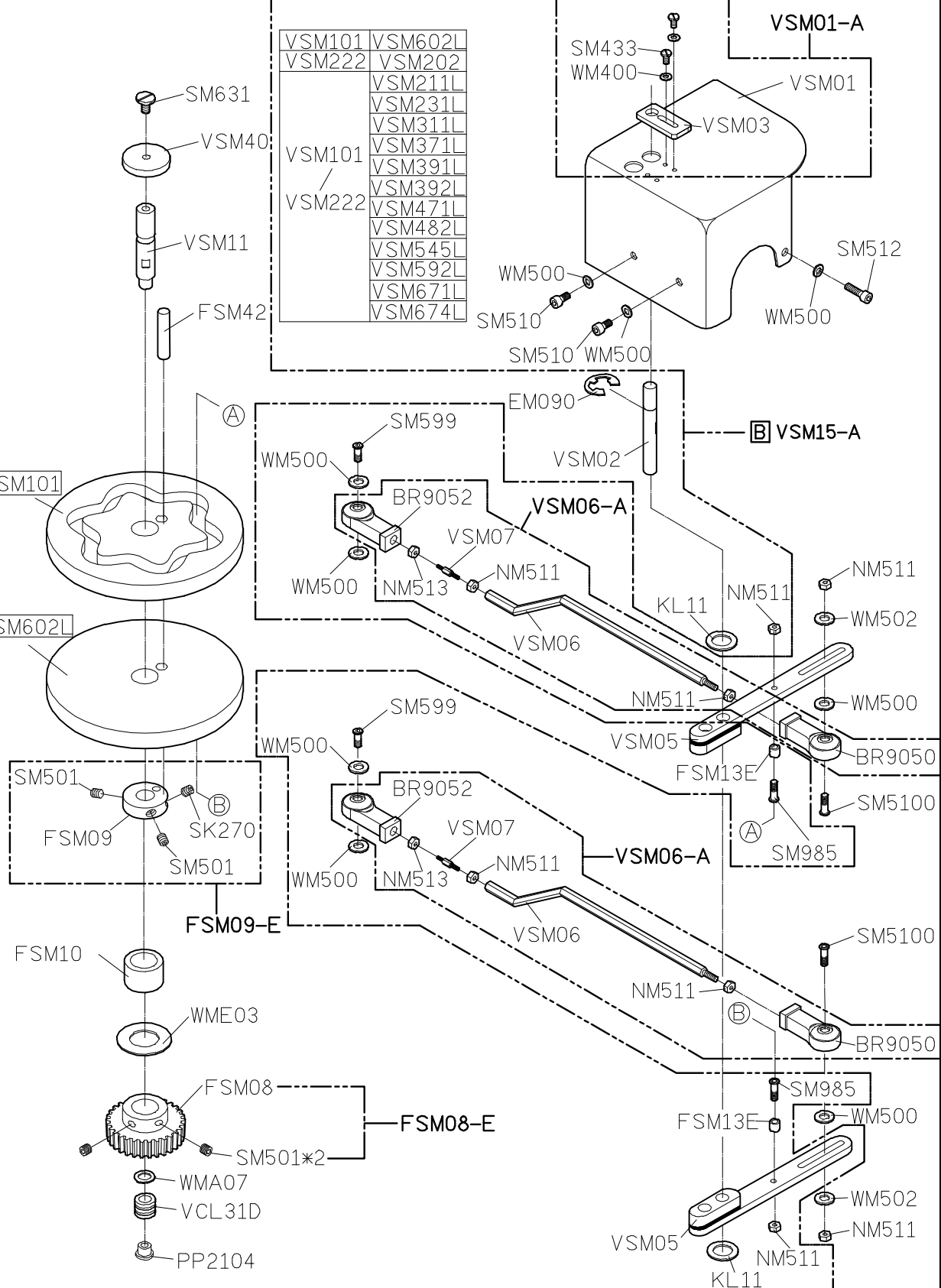
A

B

C

D

E



<b>SIRUBA</b> PARTS LIST	Series	Parts Group	Subclass / Remark	Page
	<b>VC008</b>	<b>VSM/VSSM</b> <b>VSQ</b>		8/15
				Date
				2012/08/23

A

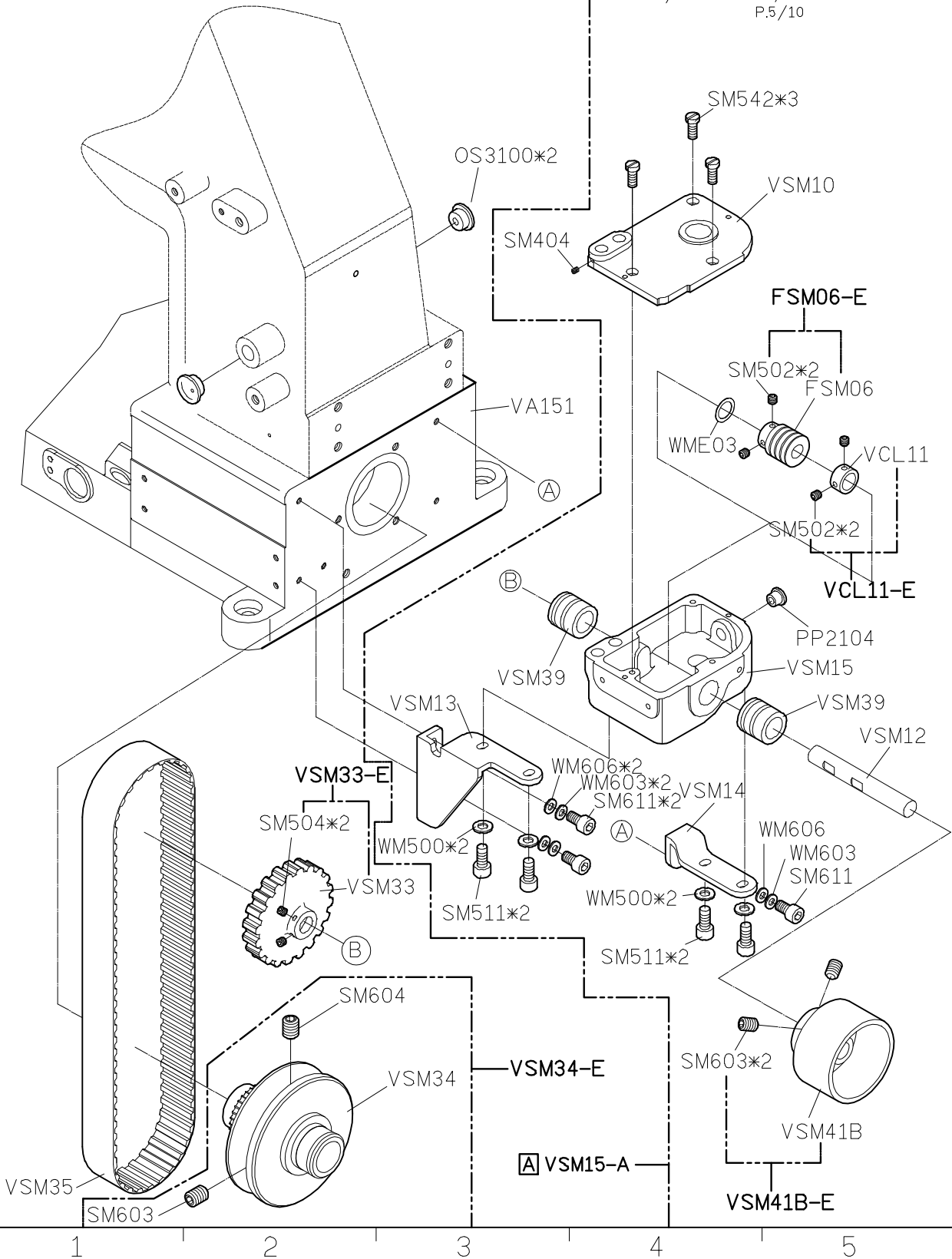
B

C

D

E

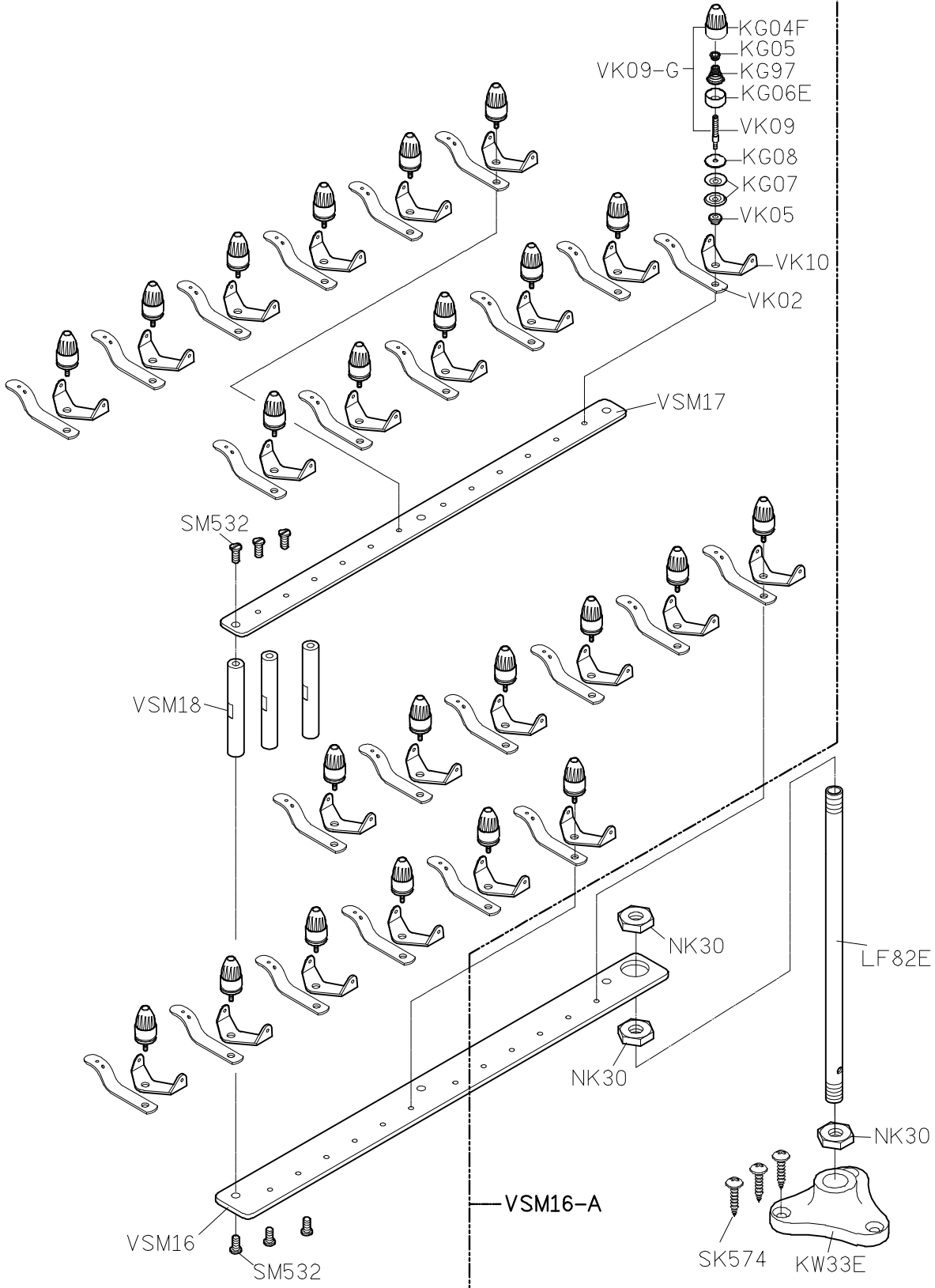
A + B = VSM15-A  
 VSM/VSQ VSM/VSQ  
 P.5/10





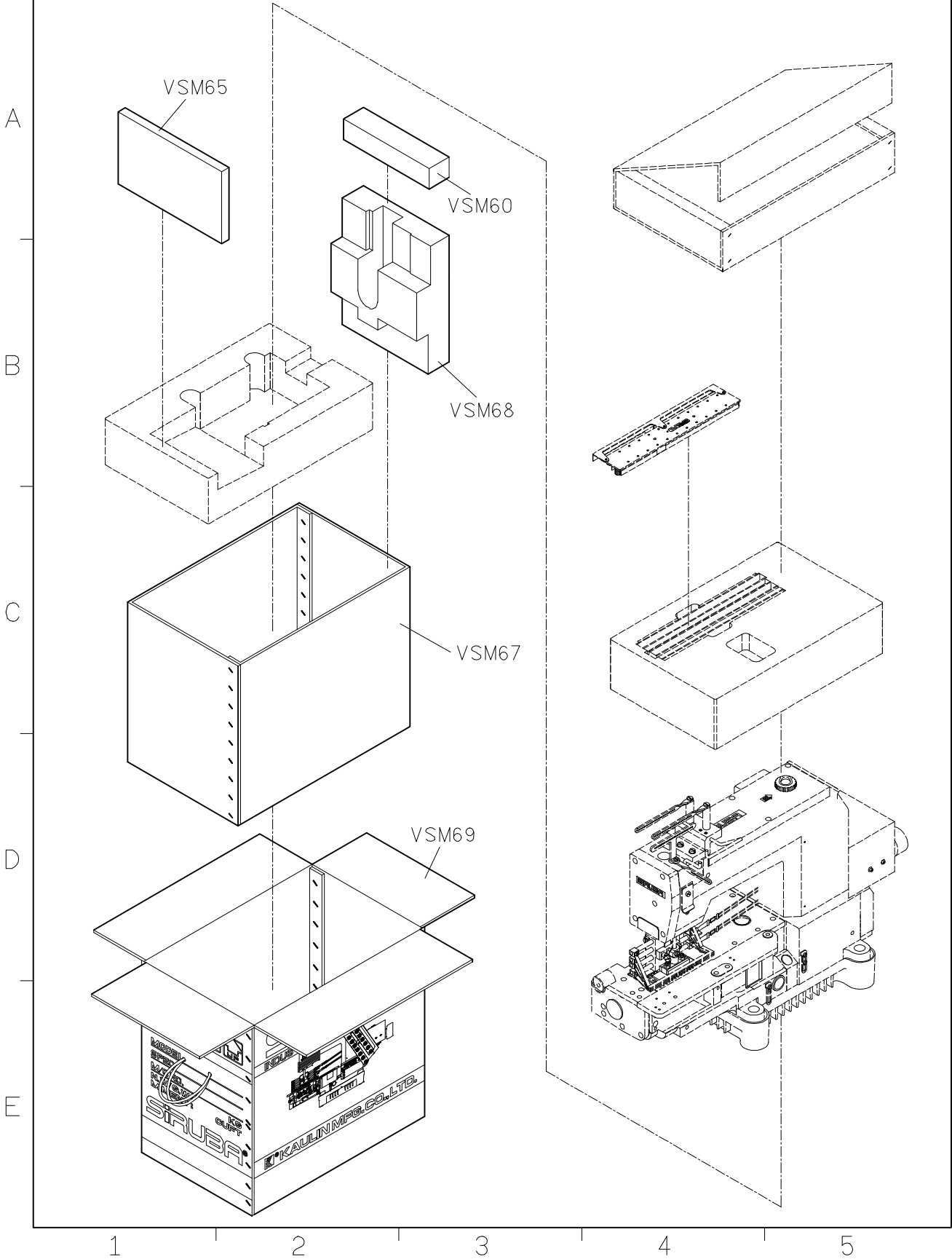
<b>SIRUBA</b>  PARTS LIST	Series	Parts Group	Subclass / Remark	Page
	<b>VC008</b>	<b>VSM/VSSM</b> <b>VSQ</b>		9/15
				Date
				2012/09/23

A  
B  
C  
D  
E



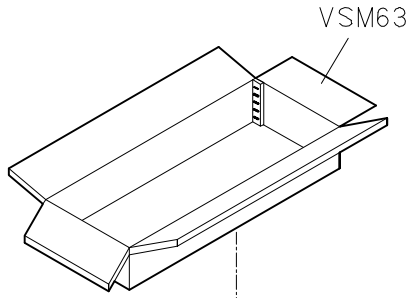
1 2 3 4 5

<b>SIRUBA</b> PARTS LIST	Series	Parts Group	Subclass / Remark	Page
	<b>VC008</b>	VSM/VSSM		10/15
		VSQ		Date
				2012/08/23

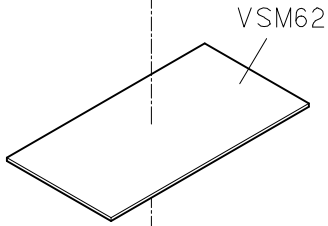


<b>SIRUBA</b> PARTS LIST	Series	Parts Group	Subclass / Remark	Page
	<b>VC008</b>	<b>VSM/VSSM</b> <b>VSQ</b>		11/15
				Date
				2012/08/23

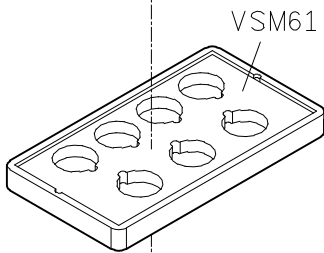
A



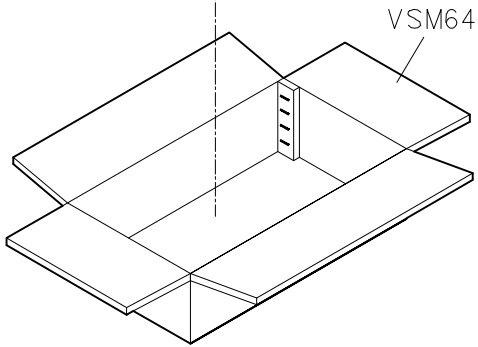
B



C



D



E

1

2

3

4

5

SIRUBA PARTS LIST	Series	Parts Group	Subclass / Remark	Page
	VC008	VSM/VSSM VSQ		12/15
				Date
				2012/08/23

OPTION:VSM38-A

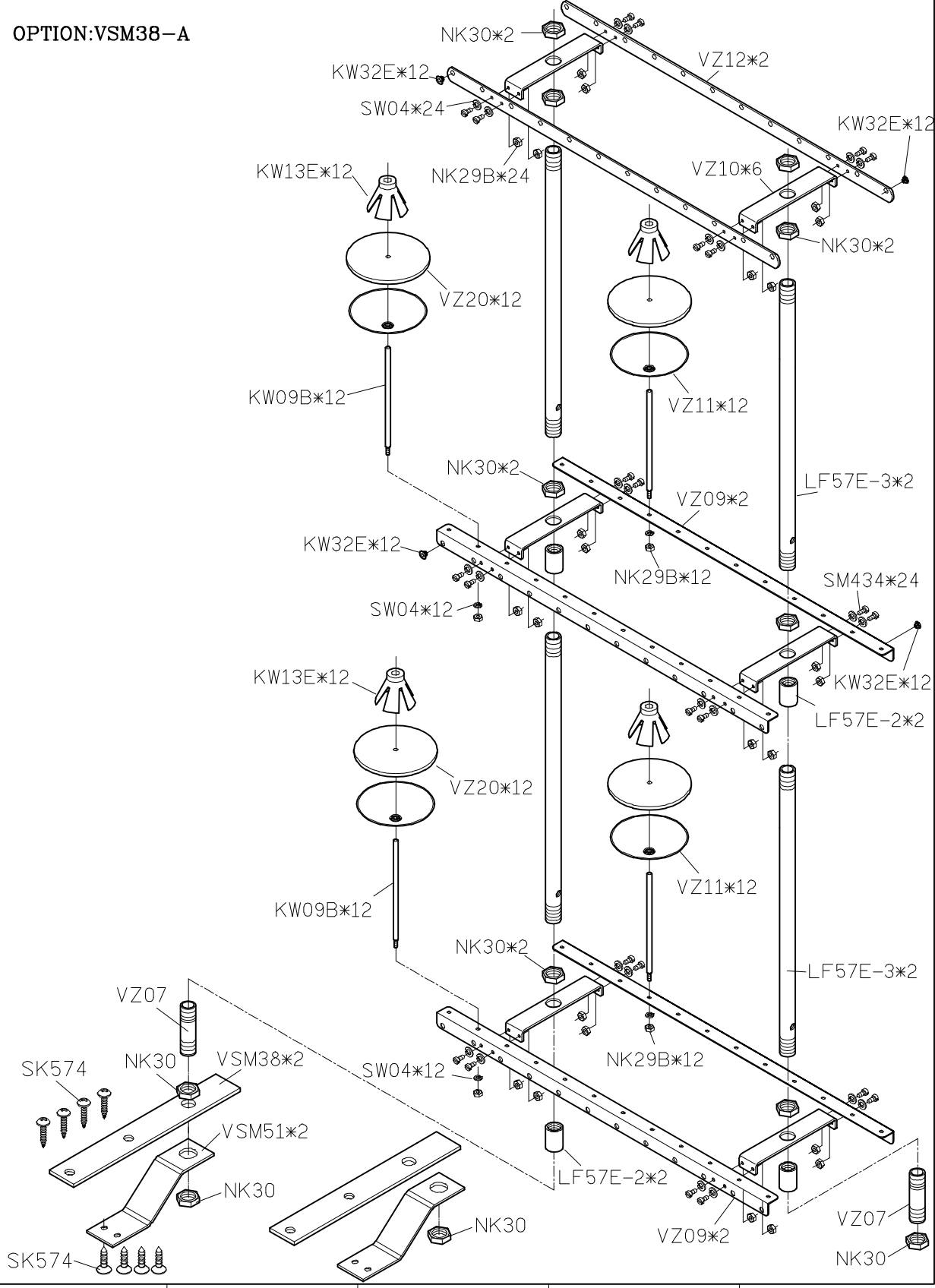
A

B

C

D

E



1

2

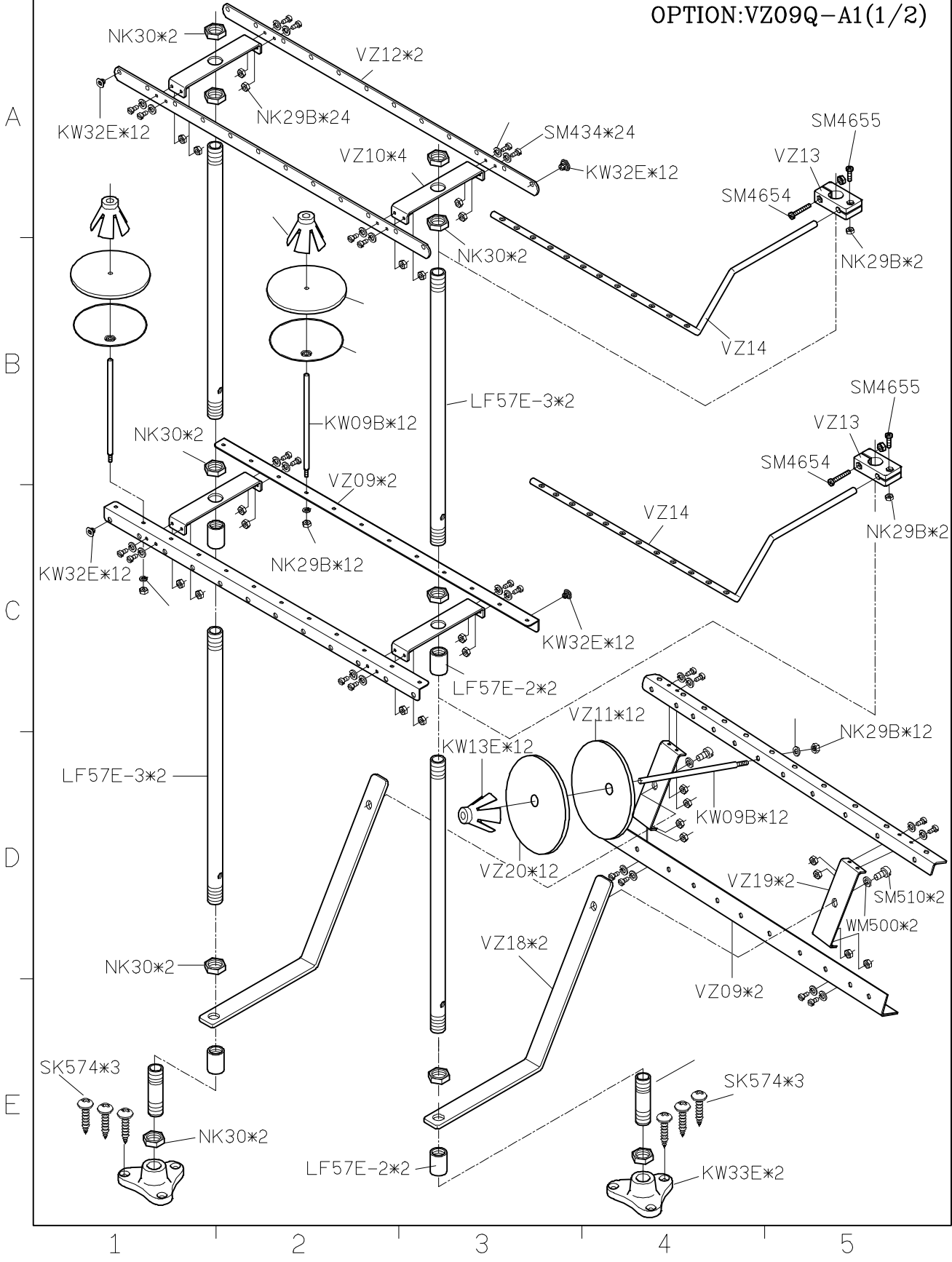
3

4

5

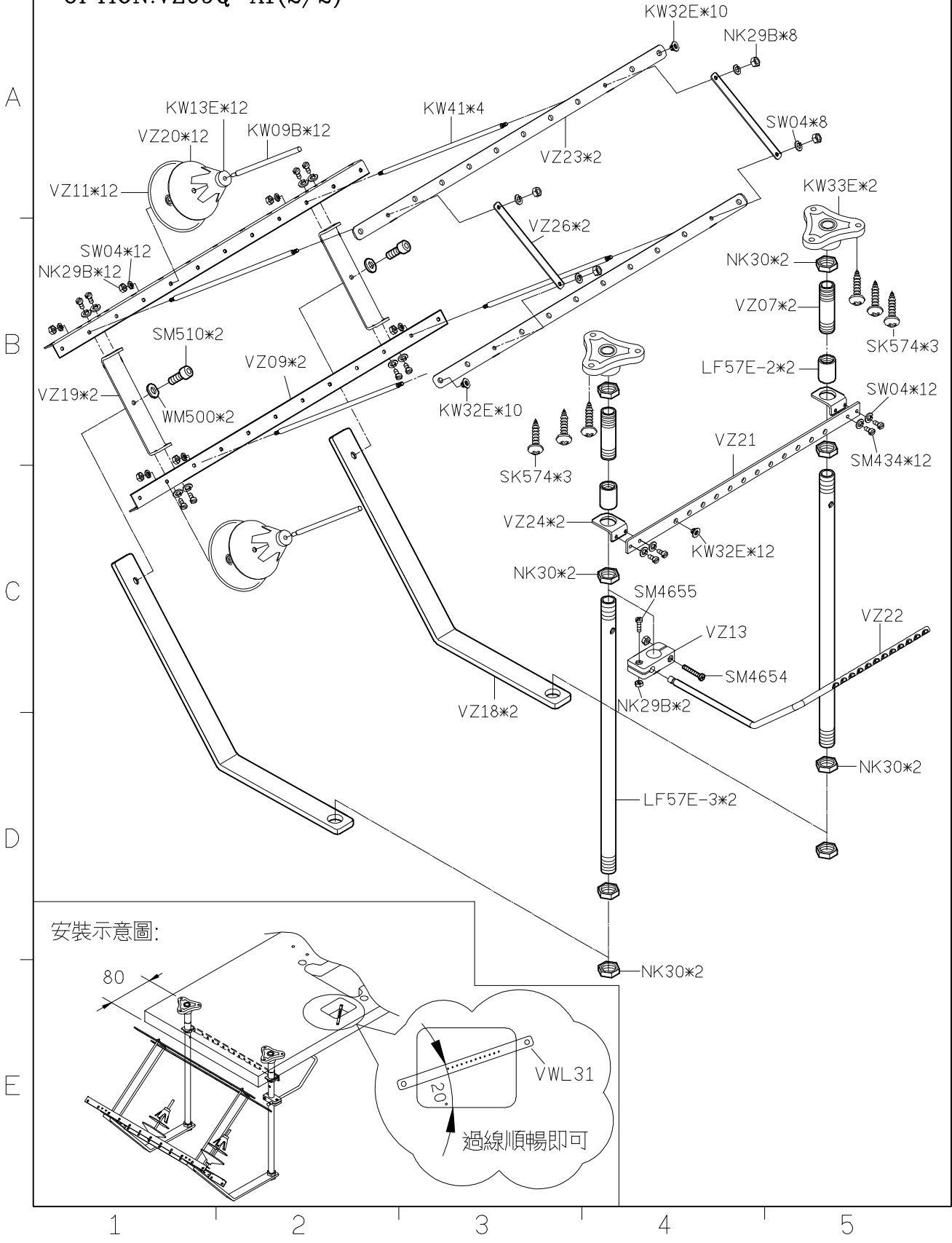
<b>SIRUBA</b> <b>PARTS LIST</b>	<b>Series</b>	<b>Parts Group</b>	<b>Subclass / Remark</b>	<b>Page</b>
	<b>VC008</b>	<b>VSSM</b>		13/15
				<b>Date</b>
				2012/11/15

OPTION:VZ09Q-A1(1/2)

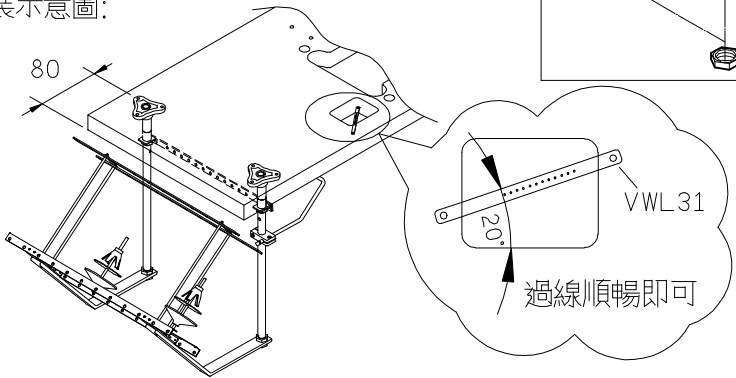


<b>SIRUBA</b> <b>PARTS LIST</b>	<b>Series</b>	<b>Parts Group</b>	<b>Subclass / Remark</b>	<b>Page</b>
	<b>VC008</b>	<b>VSSM</b>		14/15
				<b>Date</b>
				2012/11/15

OPTION:VZ09Q-A1(2/2)

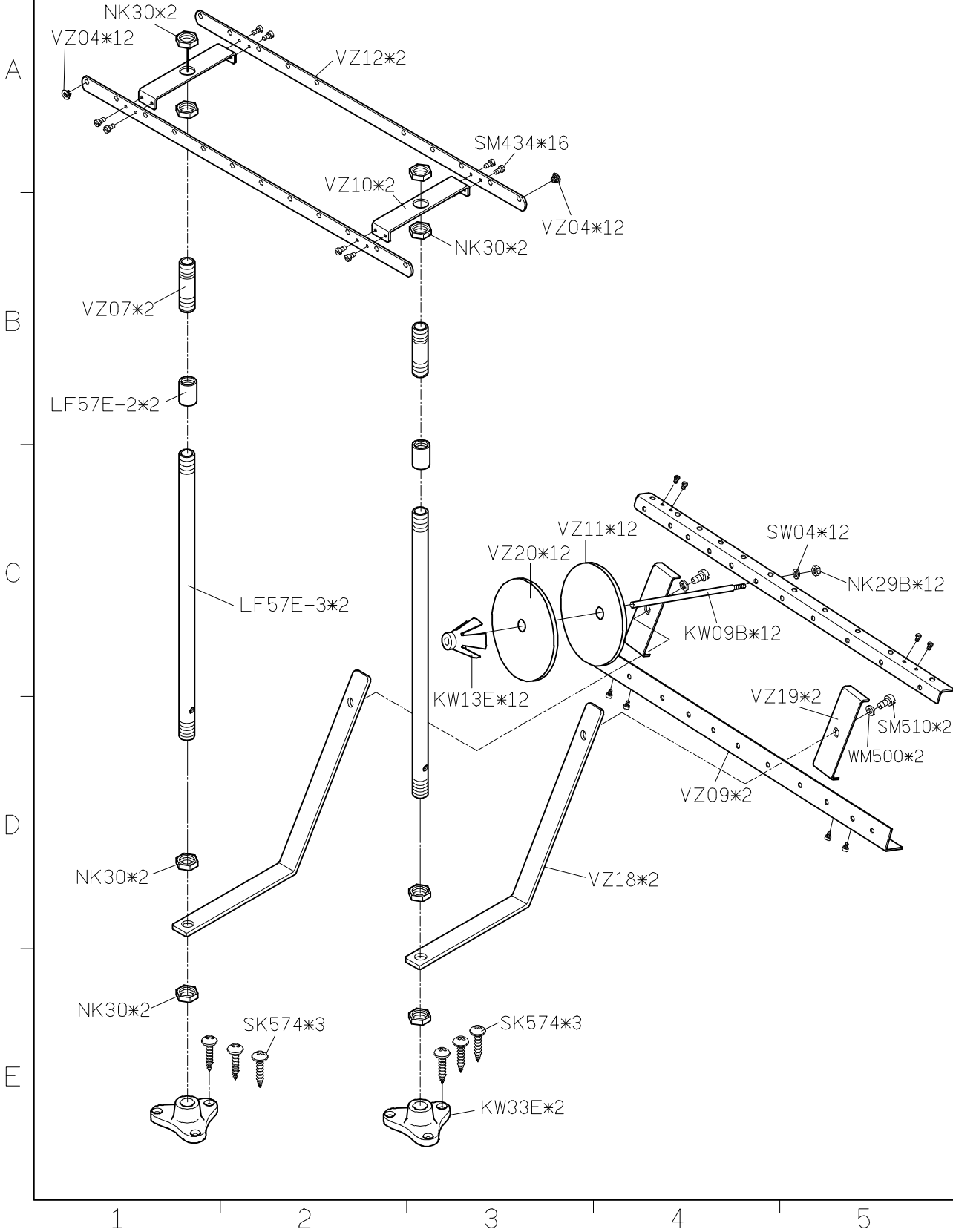


安裝示意圖:



<b>SIRUBA</b> <b>PARTS LIST</b>	<b>Series</b>	<b>Parts Group</b>	<b>Subclass / Remark</b>	<b>Page</b>
	<b>VC008</b>	<b>VSQ</b>		15/15
				<b>Date</b>
				2012/08/23

OPTION:VZ09-A2



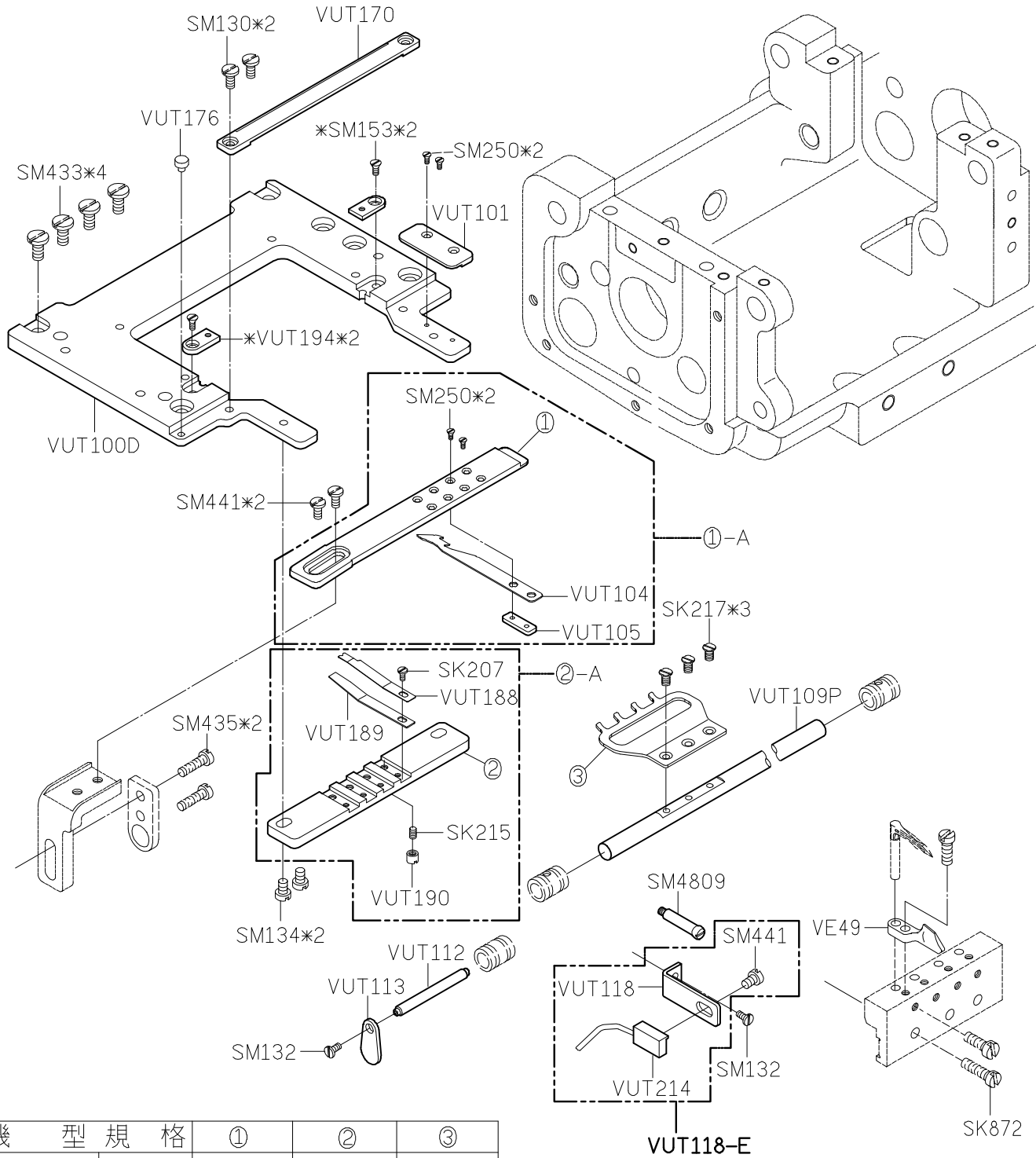
A

B

C

D

E



機 型 規 格		①	②	③
VC008-04	064	VUT184P	VUT187P	VUT108P
	085	VUT184Q	VUT187Q	VUT108Q
	095	VUT184R	VUT187R	VUT108R
	106	VUT184S	VUT187S	VUT108S
	127	VUT184T	VUT187T	VUT108T
VC008-06	064	VUT184V	VUT187V	VUT108V
VC008-08	064	VUT211	VUT212	VUT210
VC008-12	050	VUT184U	VUT187U	VUT108U

1

2

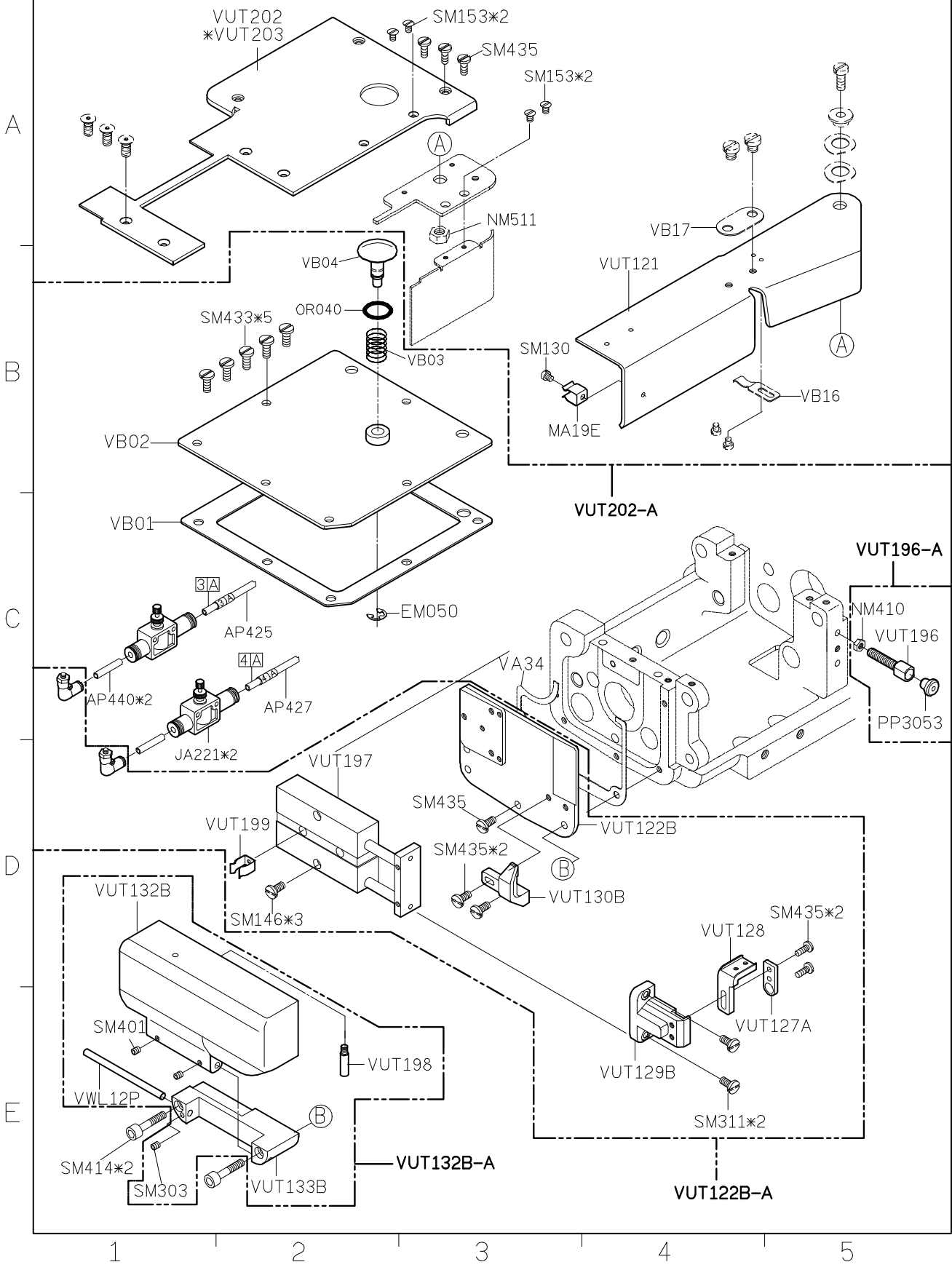
3

4

5

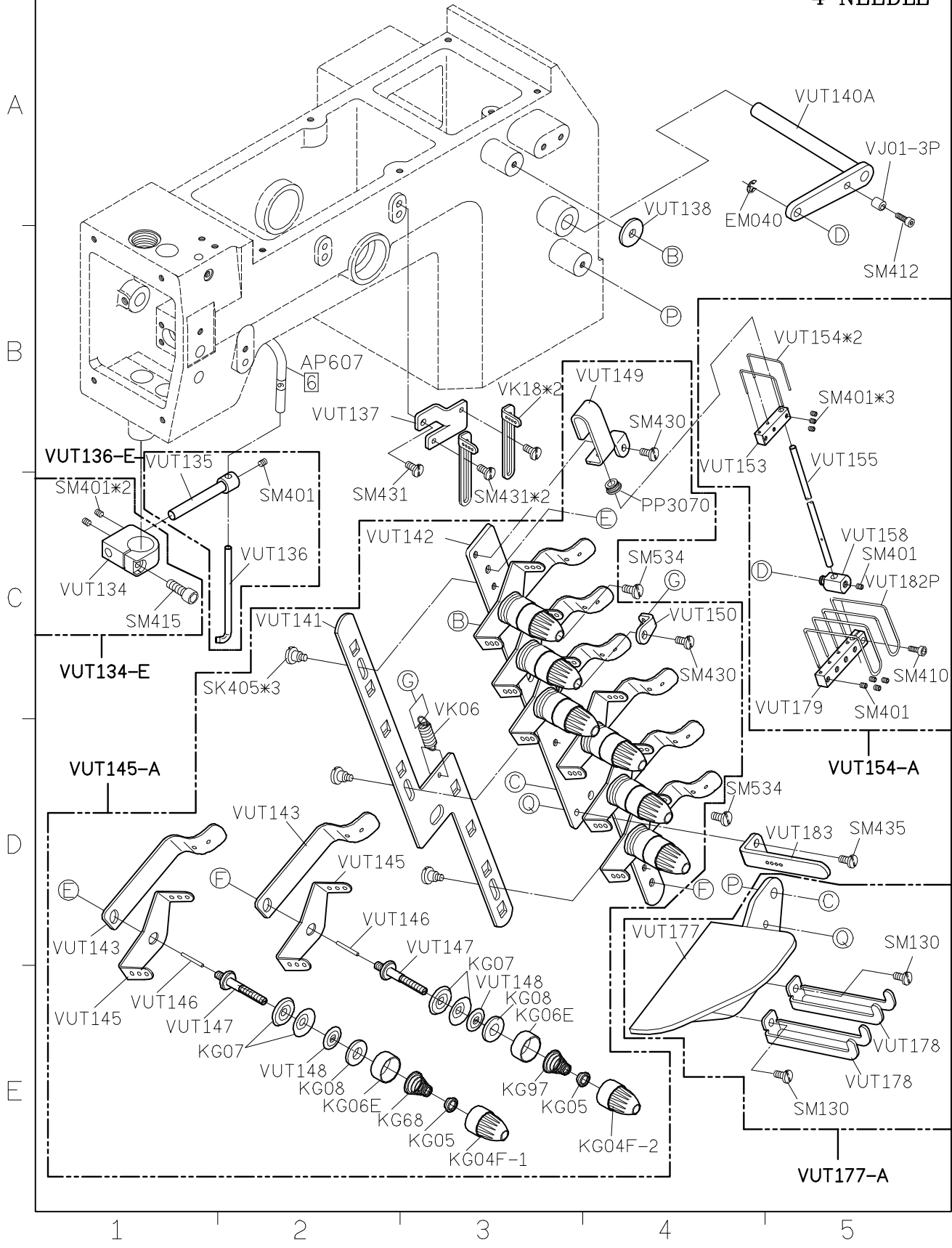


<b>SIRUBA</b> <b>PARTS LIST</b>	<b>Series</b>	<b>Parts Group</b>	<b>Subclass / Remark</b>	<b>Page</b>
	<b>VC008</b>	<b>VUT</b>		<b>2/7</b>
				<b>Date</b>
				<b>2012/03/21</b>



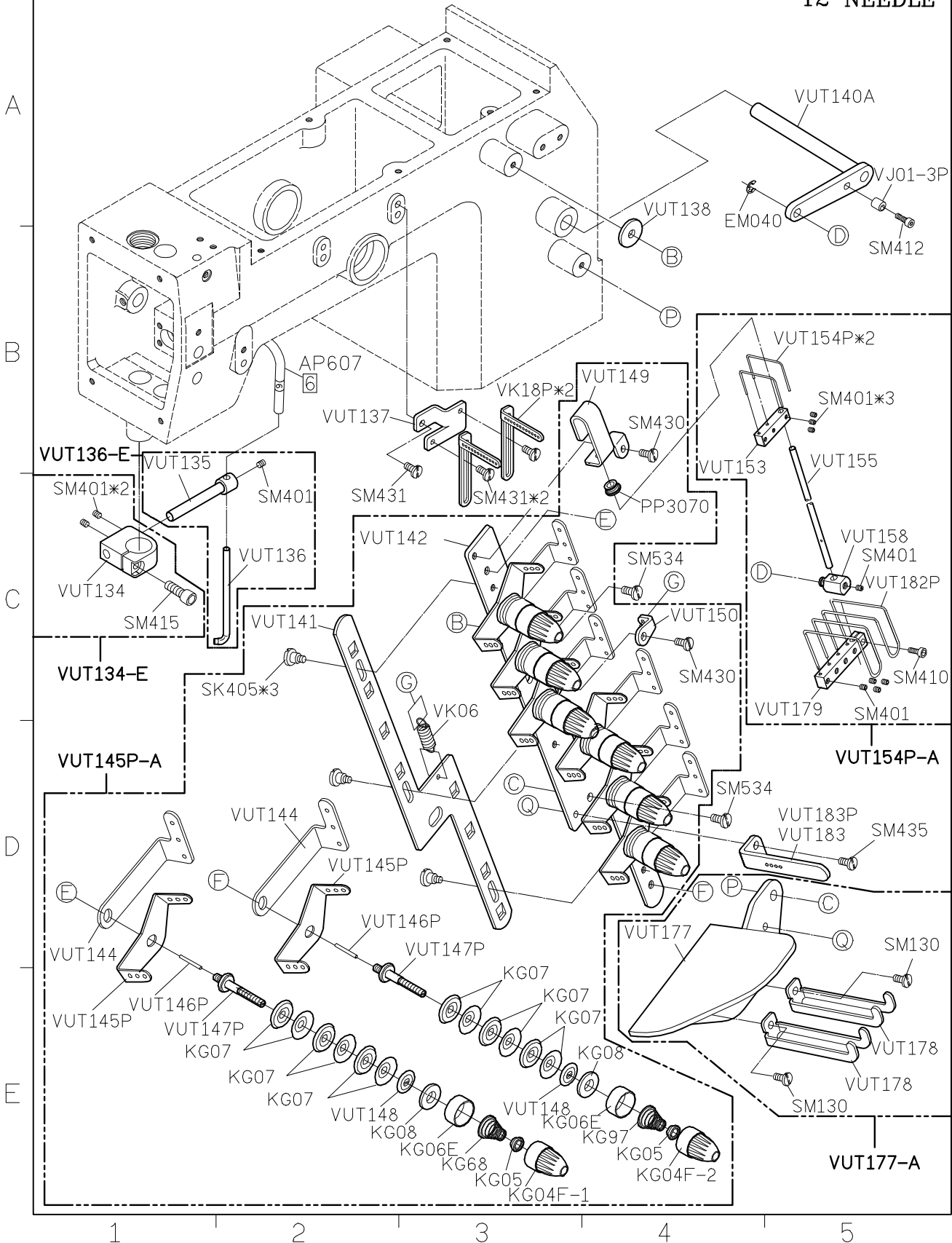
<b>SIRUBA</b> <b>PARTS LIST</b>	<b>Series</b>	<b>Parts Group</b>	<b>Subclass / Remark</b>	<b>Page</b>
	<b>VC008</b>	<b>VUT</b>		<b>3/7</b>
				<b>Date</b>
				<b>2012/03/21</b>

**4 NEEDLE**



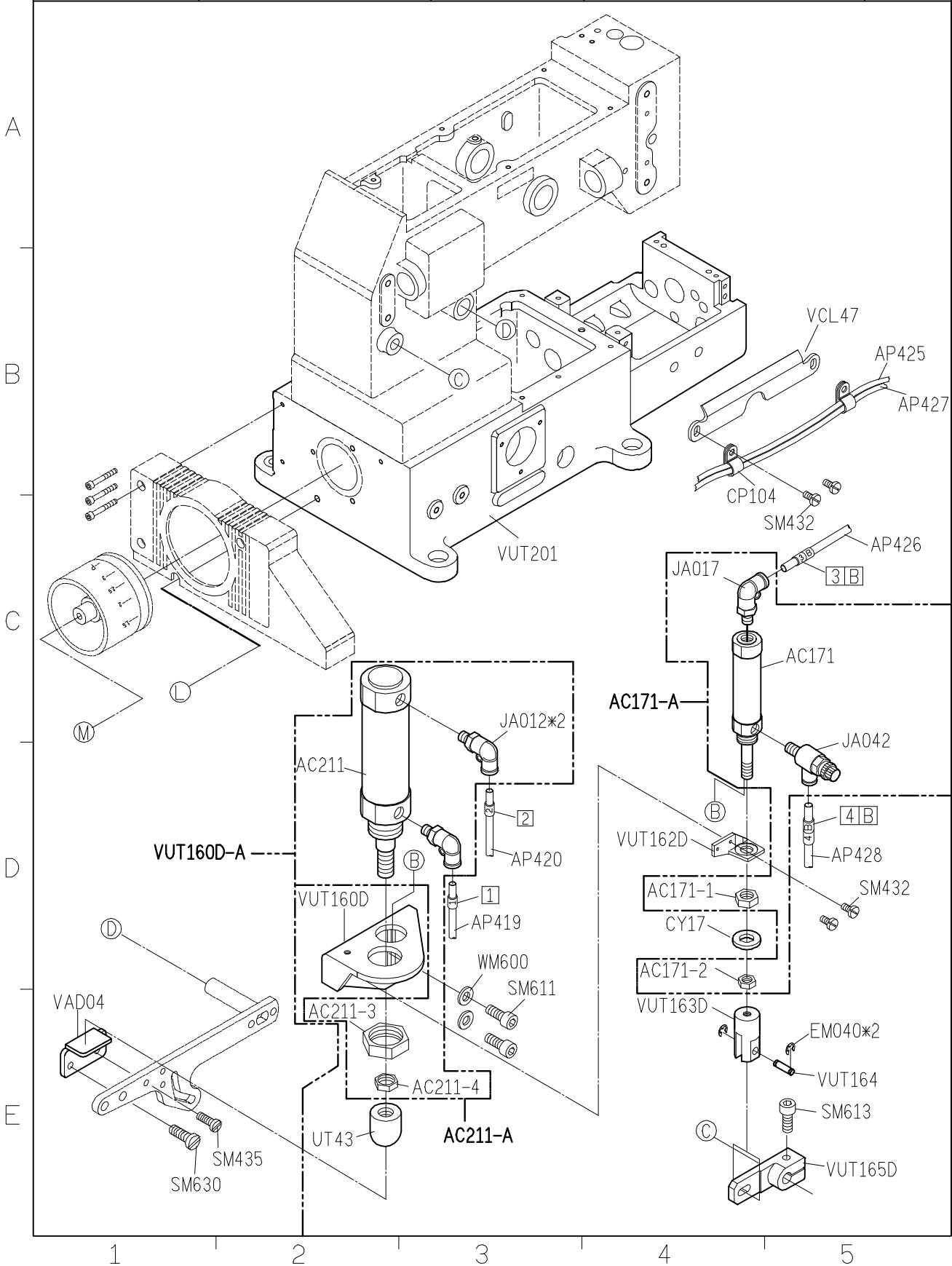
<b>SIRUBA</b> <b>PARTS LIST</b>	<b>Series</b>	<b>Parts Group</b>	<b>Subclass / Remark</b>	<b>Page</b>
	<b>VC008</b>	<b>VUT</b>		<b>4/7</b>
				<b>Date</b>
				<b>2012/03/21</b>

12 NEEDLE

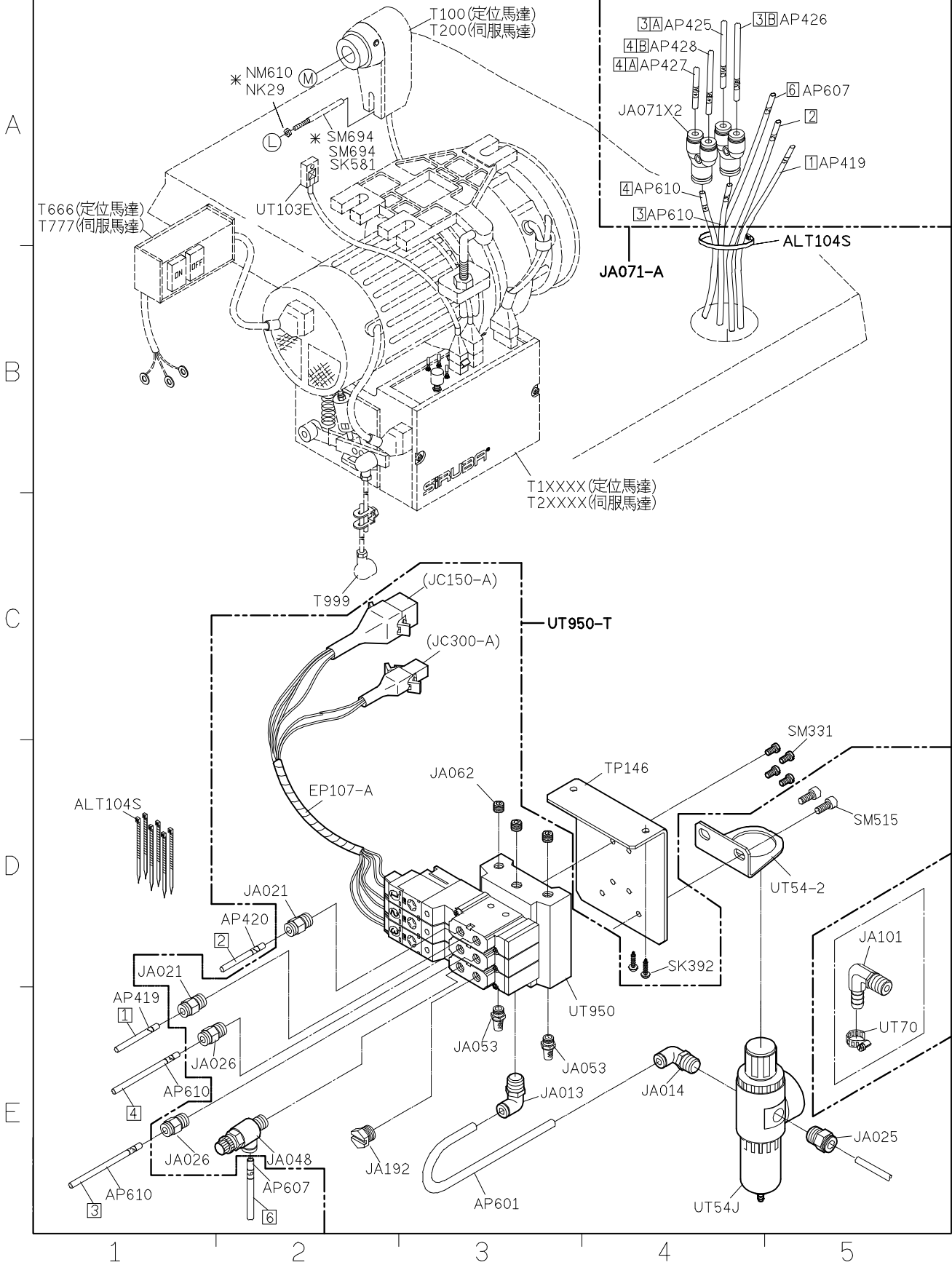


1 2 3 4 5

SIRUBA PARTS LIST	Series	Parts Group	Subclass / Remark	Page
	VC008	VUT		5/7
				Date
				2012/08/21



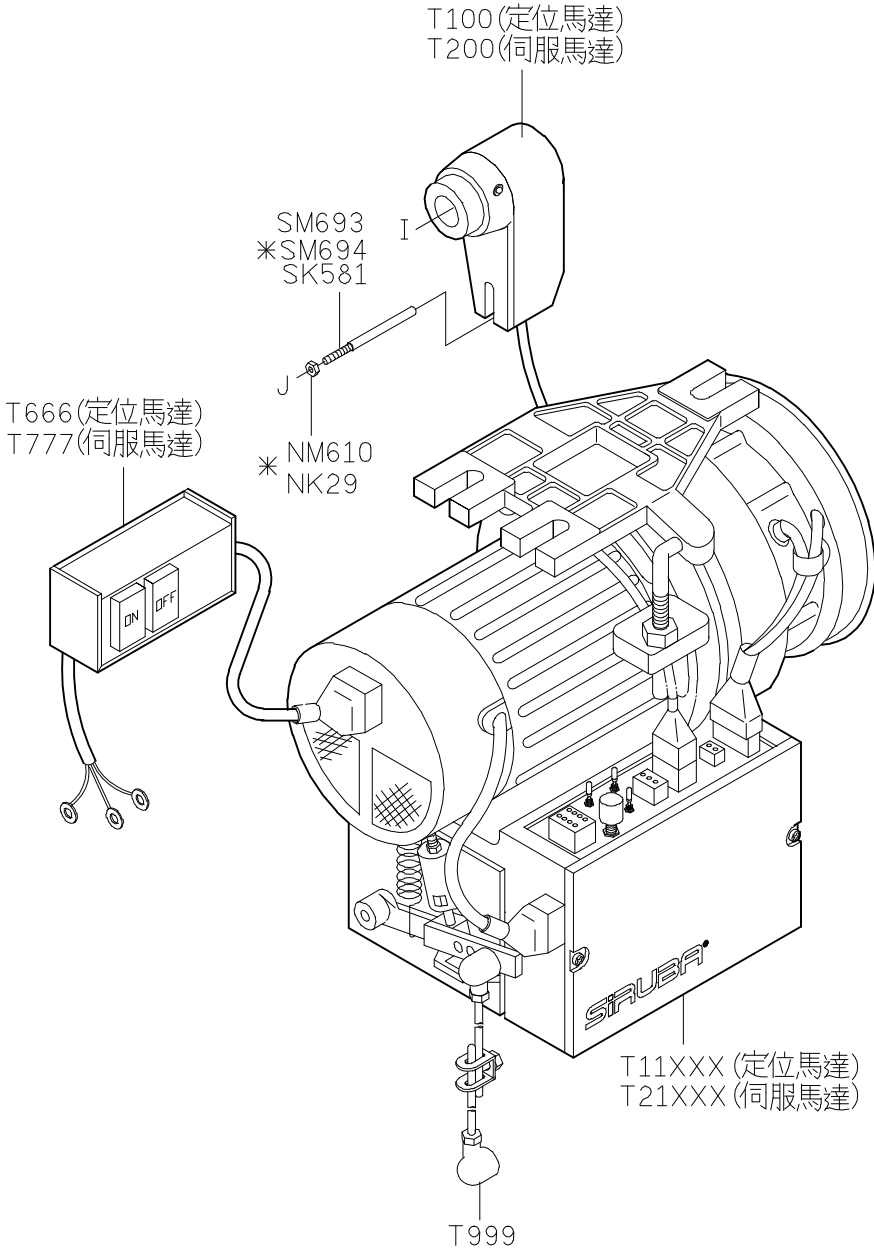
<b>SIRUBA</b> <b>PARTS LIST</b>	<b>Series</b>	<b>Parts Group</b>	<b>Subclass / Remark</b>	<b>Page</b>
	<b>VC008</b>	<b>VUT</b>		<b>6/7</b>
				<b>Date</b>
				<b>2012/03/21</b>



SIRUBA PARTS LIST	Series	Parts Group	Subclass / Remark	Page
	VC008	VUT		7/7
				Date
				2012/08/21

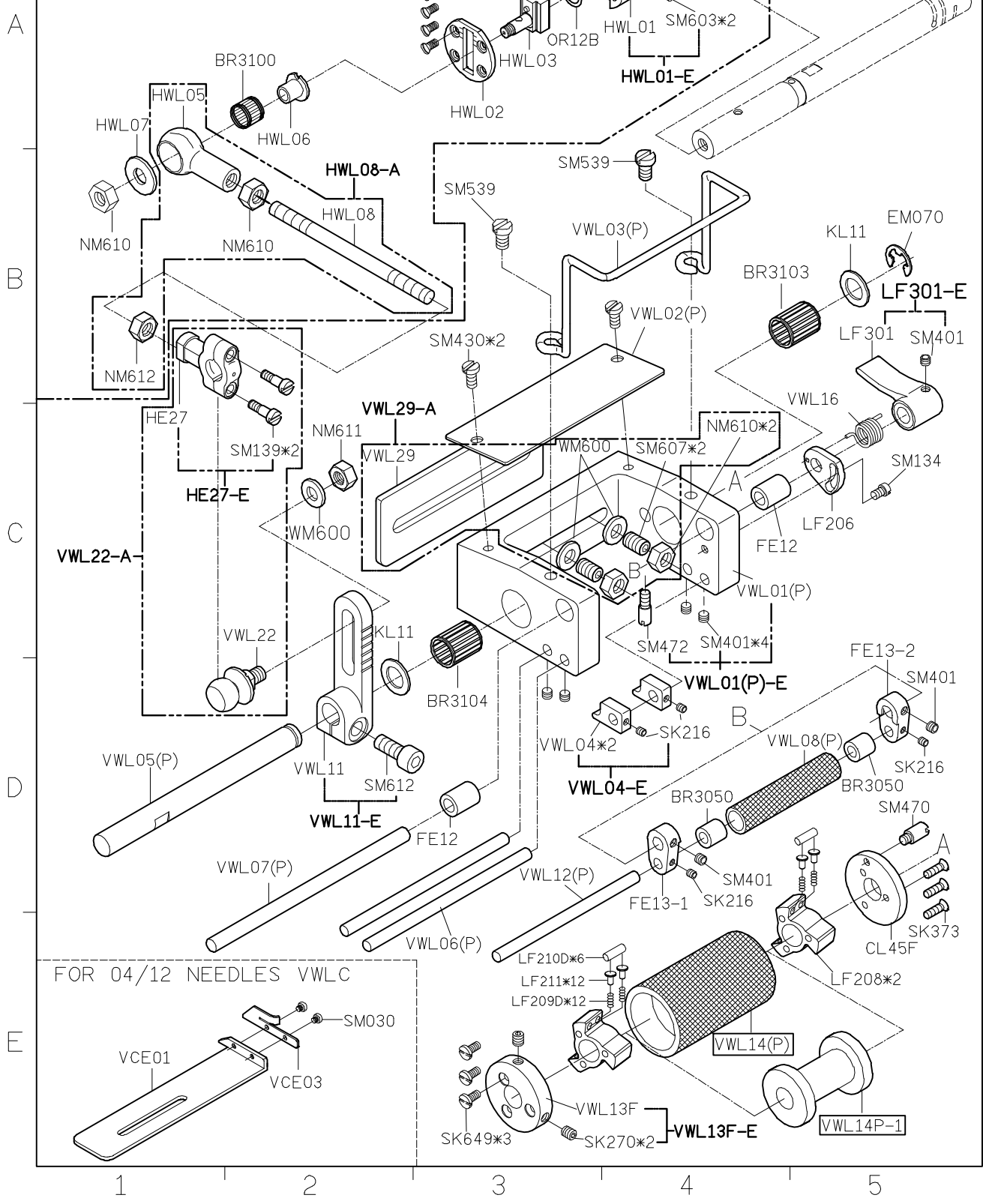
A  
B  
C  
D  
E

1 2 3 4 5

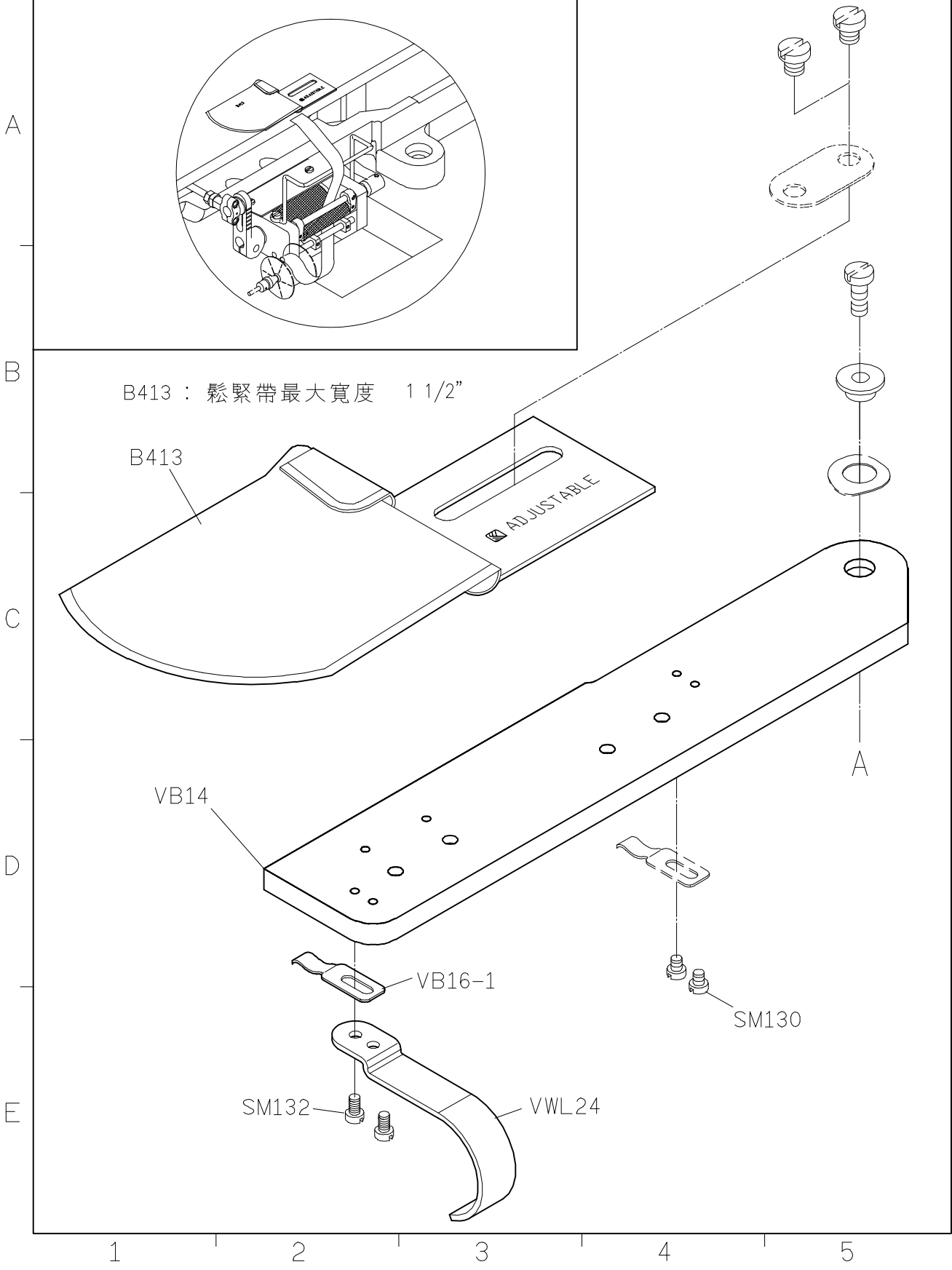


<b>SIRUBA</b> <b>PARTS LIST</b>	<b>Series</b>		<b>Parts Group</b>	<b>Subclass / Remark</b>	<b>Page</b>
	<b>VC008</b>		<b>VWL/VWLB</b>		1/4
			<b>VWLC</b>		<b>Date</b>
					2012/08/23

MODEL	VWL14	VWL14P
PARTS NO	-	VWL14P-1

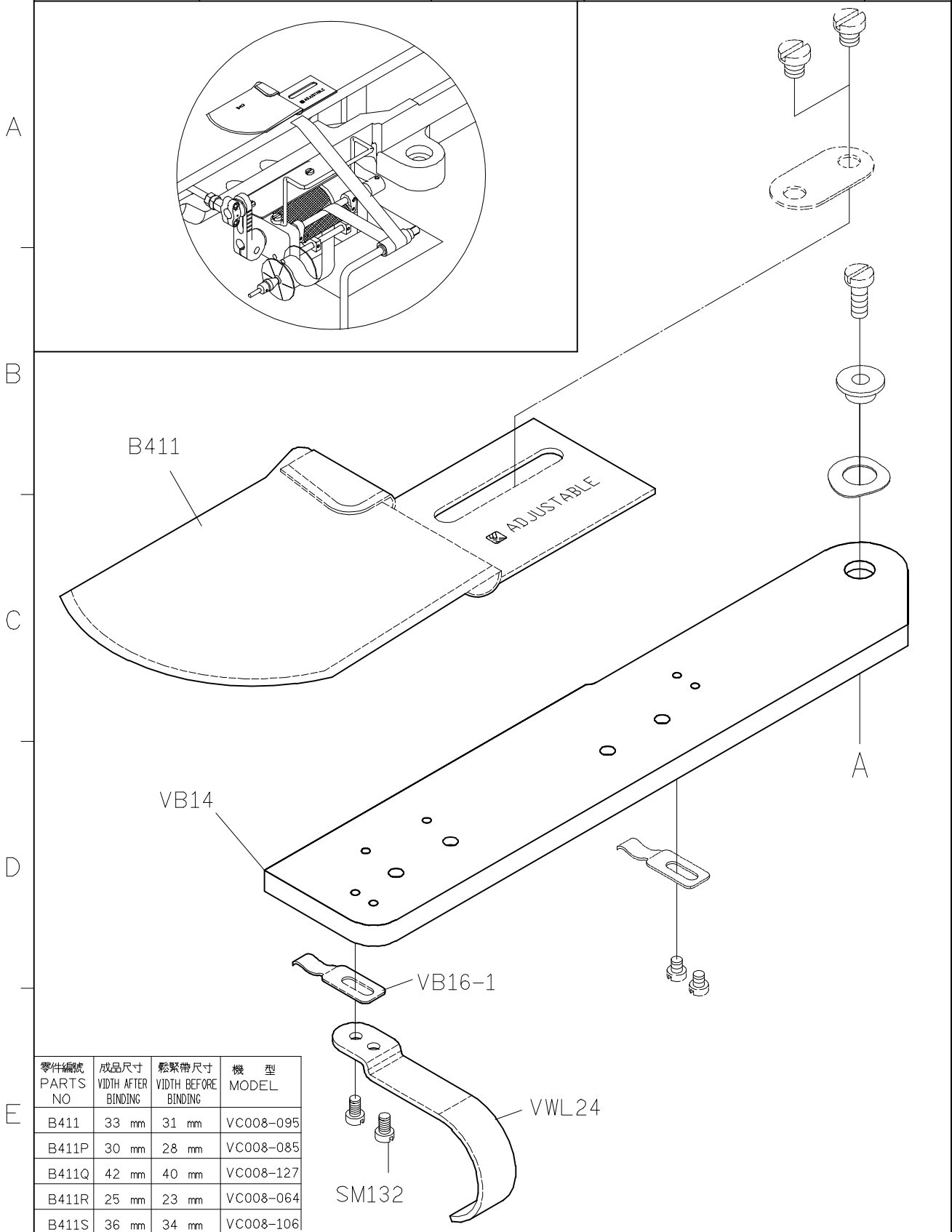


<b>SIRUBA</b> PARTS LIST	Series	Parts Group	Subclass / Remark	Page
	<b>VC008</b>	<b>VWL</b>		2/4
				Date
				2012/08/23





<b>SIRUBA</b> PARTS LIST	Series	Parts Group	Subclass / Remark	Page
	<b>VC008</b>	<b>VWLB</b>		3/4
				Date
				2012/08/23



零件編號 PARTS NO	成品尺寸 WIDTH AFTER BINDING	鬆緊帶尺寸 WIDTH BEFORE BINDING	機 型 MODEL
B411	33 mm	31 mm	VC008-095
B411P	30 mm	28 mm	VC008-085
B411Q	42 mm	40 mm	VC008-127
B411R	25 mm	23 mm	VC008-064
B411S	36 mm	34 mm	VC008-106

1

2

3

4

5

SIRUBA PARTS LIST	Series	Parts Group	Subclass / Remark	Page
	VC008	VWLB		4/4
				Date
				2012/08/23

OPTION:RLP02-A

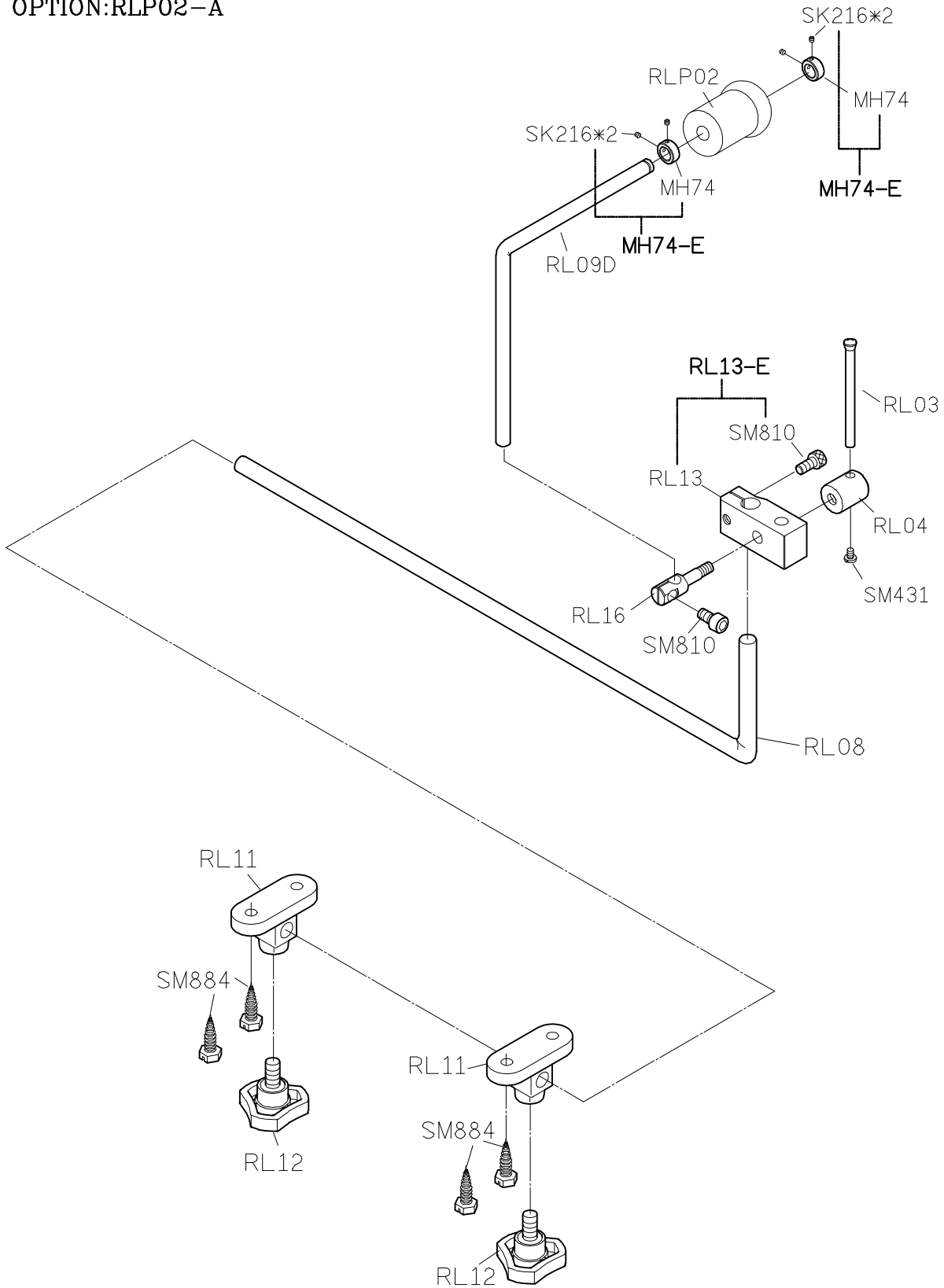
A

B

C

D

E



1

2

3

4

5

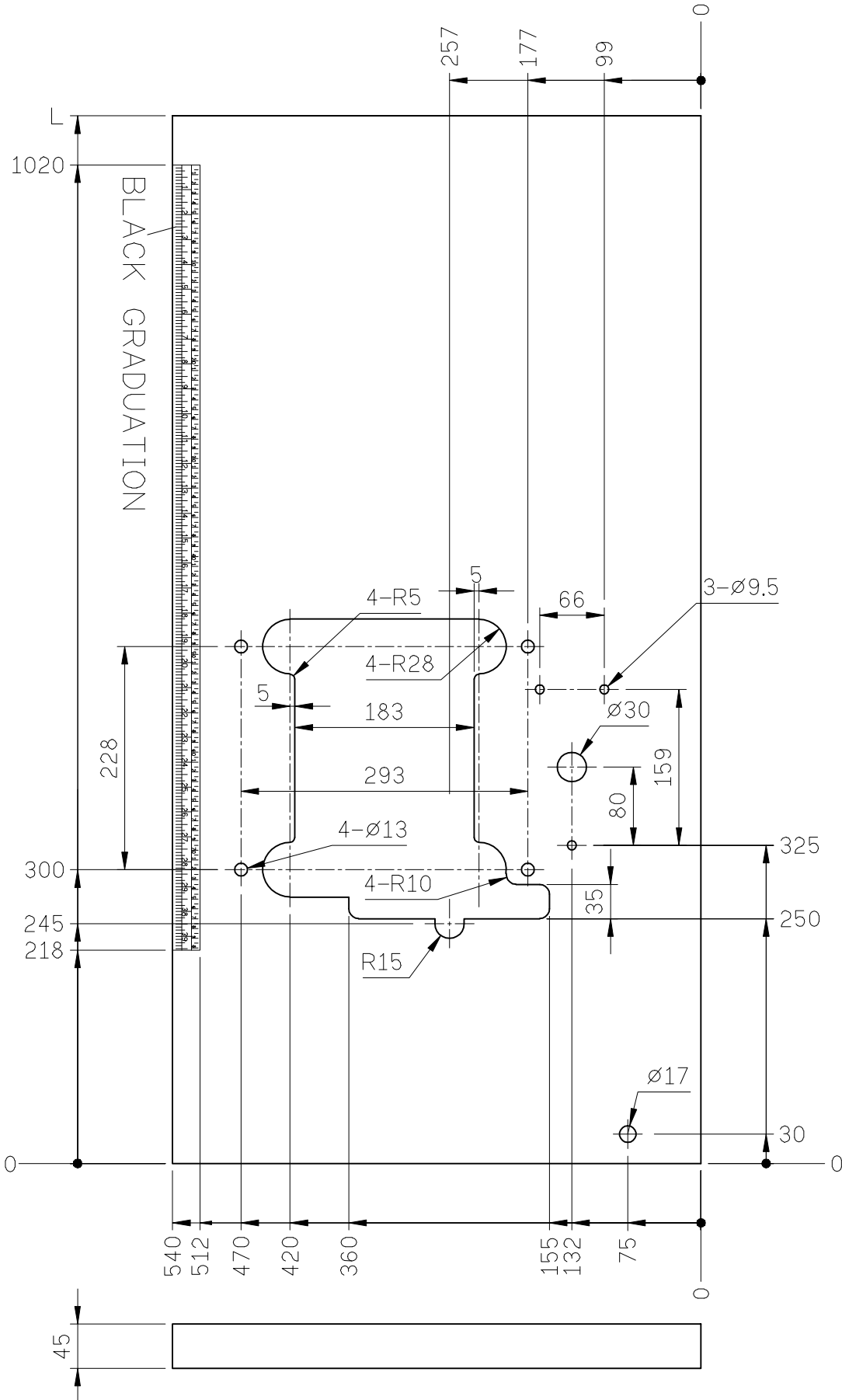
**SIRUBA**  
TABLE  
CUT - OUT

Series  
**VC008**

Item Code  
**VC008-T1**

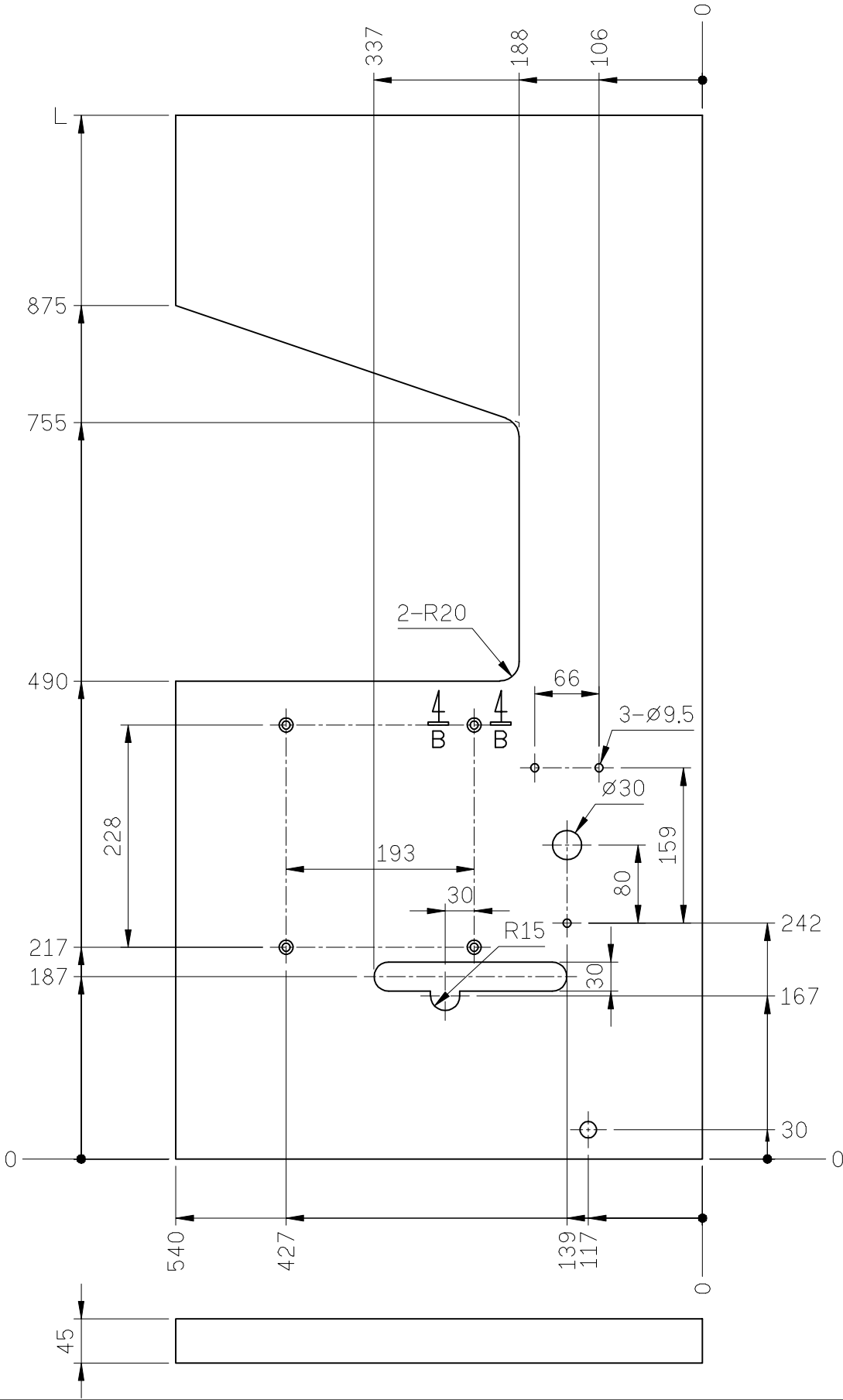
Subclass Remark  
For VC008-04  
VC008-04P/VCE  
VC008-04P/VJT  
VC008-04P/VSF

Mounting  
**Semi-submerged**  
Date  
**2012/11/08**

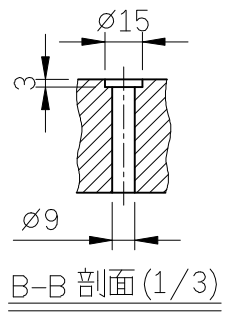


單位 / UNIT : mm  
所有尺寸公差 / TOLERANCE : ±2  
長度 (L) : 1070 / 重量 (W) : 11.6kg ±5%  
長度 (L) : 1200 / 重量 (W) : 12.6kg ±5%

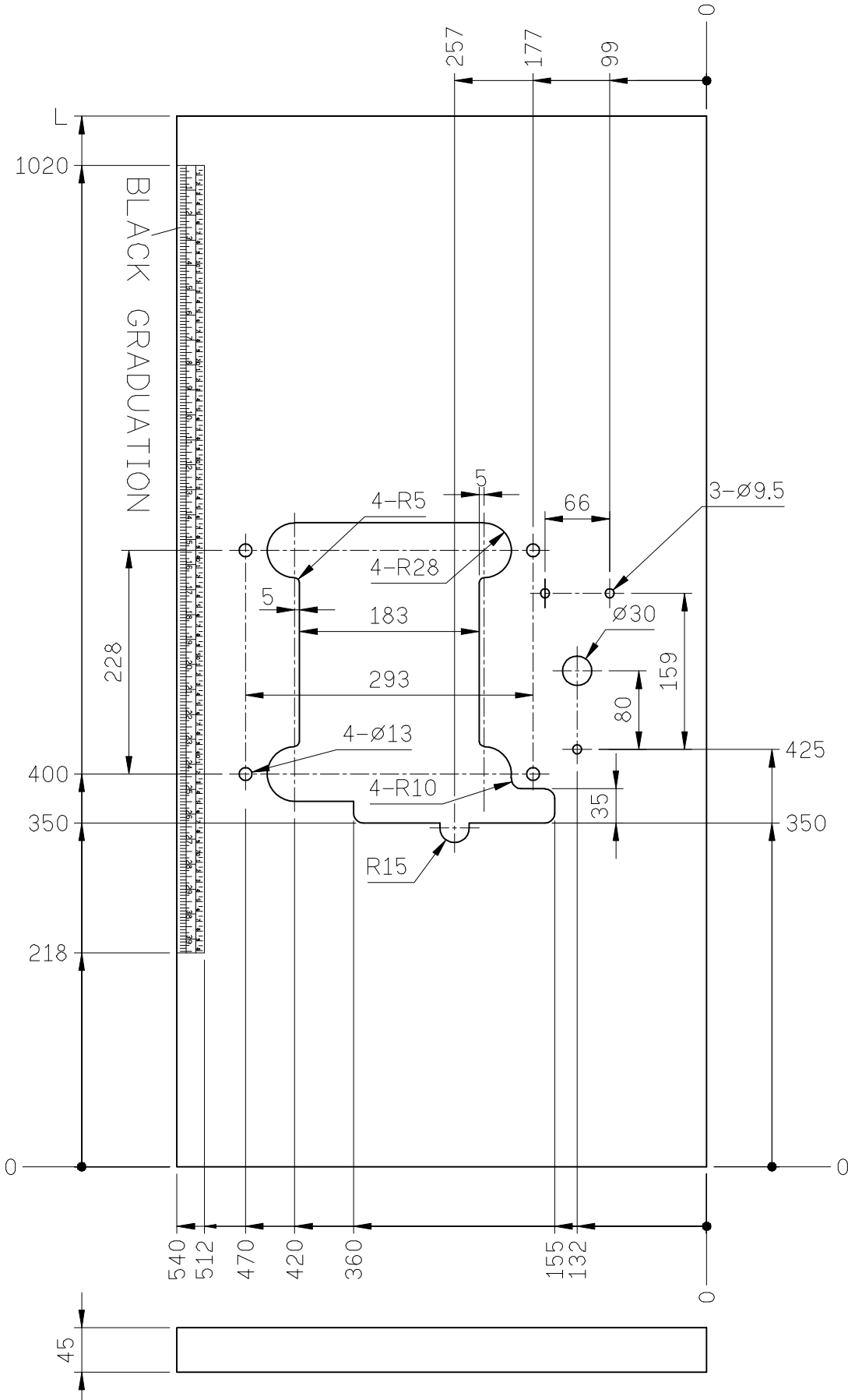
<b>SIRUBA</b> TABLE CUT - OUT	Series	Item Code	Subclass Remark	Mounting
	<b>VC008</b>	<b>VC008-T2</b>	For VC008-04 VC008-04P/VCE VC008-04P/VJT VC008-04P/VSF	Non-submerged
				Date
				2012/11/08



單位 / UNIT : mm  
 所有尺寸公差 / TOLERANCE : ±2  
 長度 (L) : 1070 / 重量 (W) : 11.4kg ±5%  
 長度 (L) : 1200 / 重量 (W) : 12.4kg ±5%

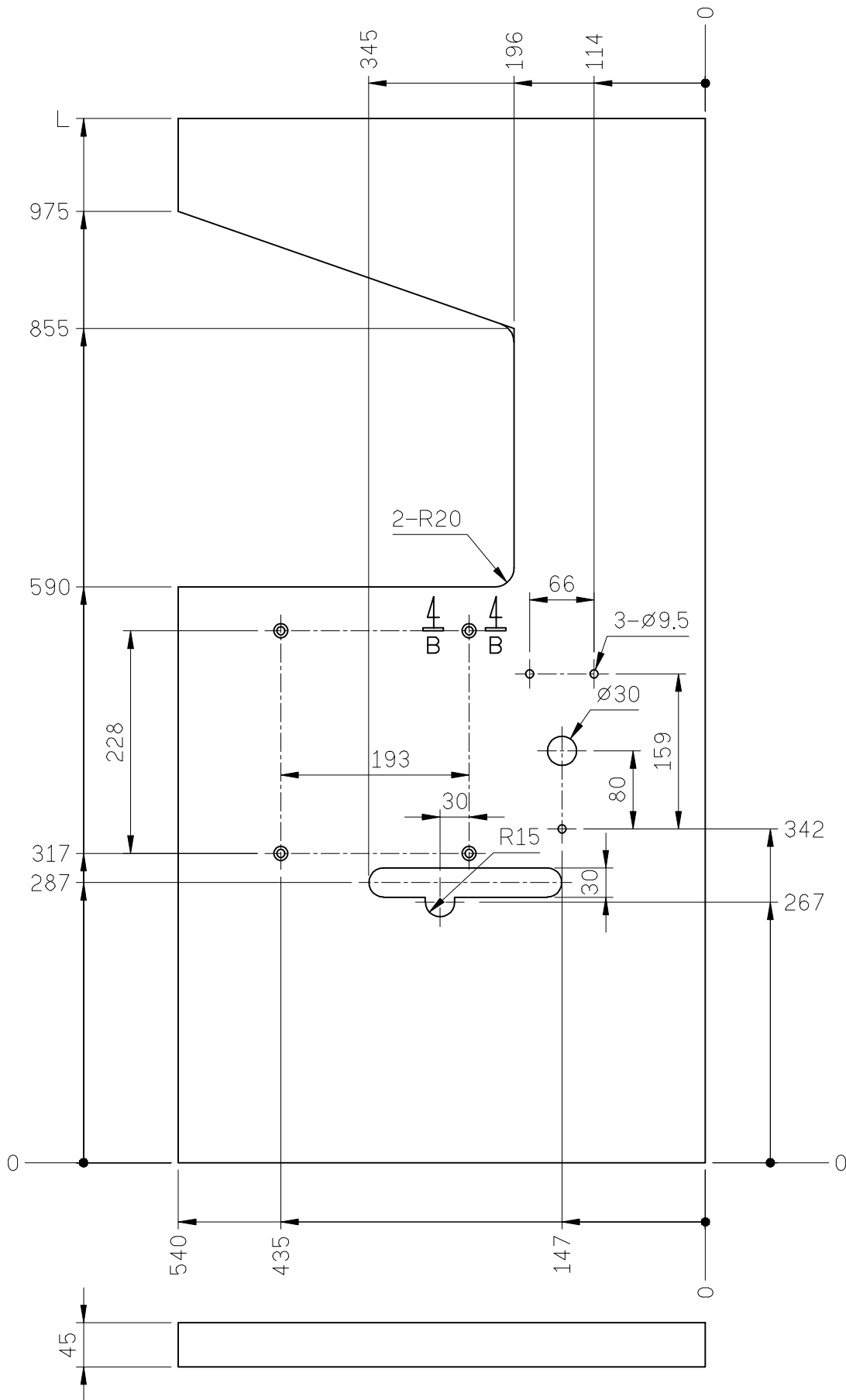


<b>SIRUBA</b> <b>TABLE</b> <b>CUT - OUT</b>	Series	Item Code	Subclass Remark	Mounting
	<b>VC008</b>	<b>VC008-T3</b>	For VC008-12、VC008-13 VC008-06/VPL VC008-12/VPQ VC008-12/VPT VC008-12/VUT	Semi-submerged
				Date
				2012/11/08

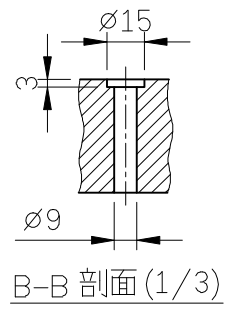


單位 / UNIT : mm  
 所有尺寸公差 / TOLERANCE : ±2  
 長度 (L) : 1070 / 重量 (W) : 11.6kg ±5%  
 長度 (L) : 1200 / 重量 (W) : 12.6kg ±5%

<b>SIRUBA</b> TABLE CUT - OUT	Series	Item Code	Subclass Remark	Mounting
	<b>VC008</b>	<b>VC008-T4</b>	For VC008-12、VC008-13 VC008-06/VPL VC008-12/VPQ VC008-12/VPT VC008-12/VUT	Non-submerged
				Date
				2012/11/08



單位 / UNIT : mm  
 所有尺寸公差 / TOLERANCE : ±2  
 長度 (L) : 1070 / 重量 (W) : 11.4kg ±5%  
 長度 (L) : 1200 / 重量 (W) : 12.4kg ±5%



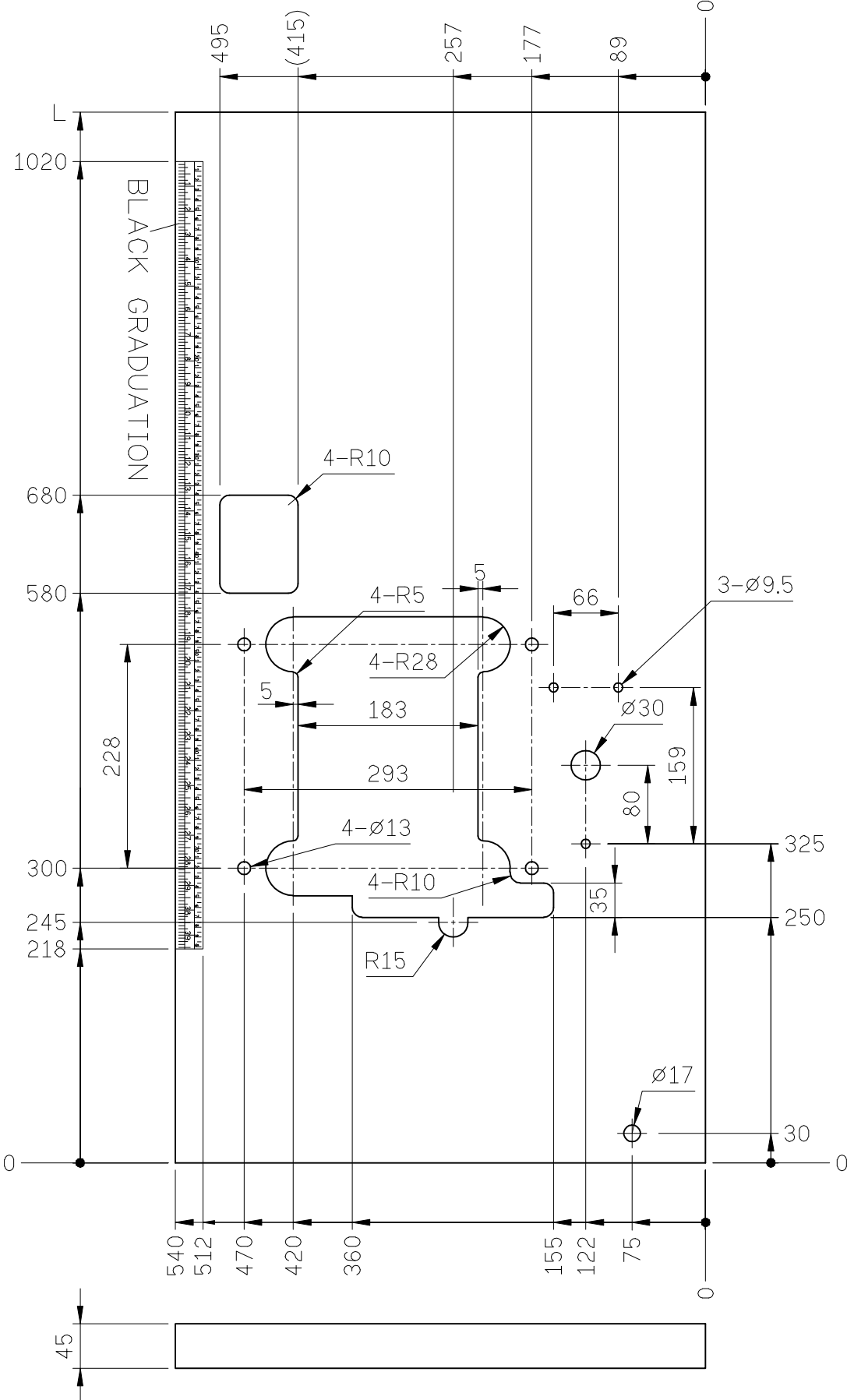
**SIRUBA**  
TABLE  
CUT - OUT

Series  
**VC008**

Item Code  
**VC008-T5**

Subclass Remark  
For VC008-04/VWL  
VC008-04/VWLB  
VC008-04/VWLC

Mounting  
Semi-submerged  
Date  
**2012/11/08**



單位 / UNIT : mm  
所有尺寸公差 / TOLERANCE : ±2  
長度 (L) : 1070 / 重量 (W) : 11.5kg ±5%  
長度 (L) : 1200 / 重量 (W) : 12.5kg ±5%

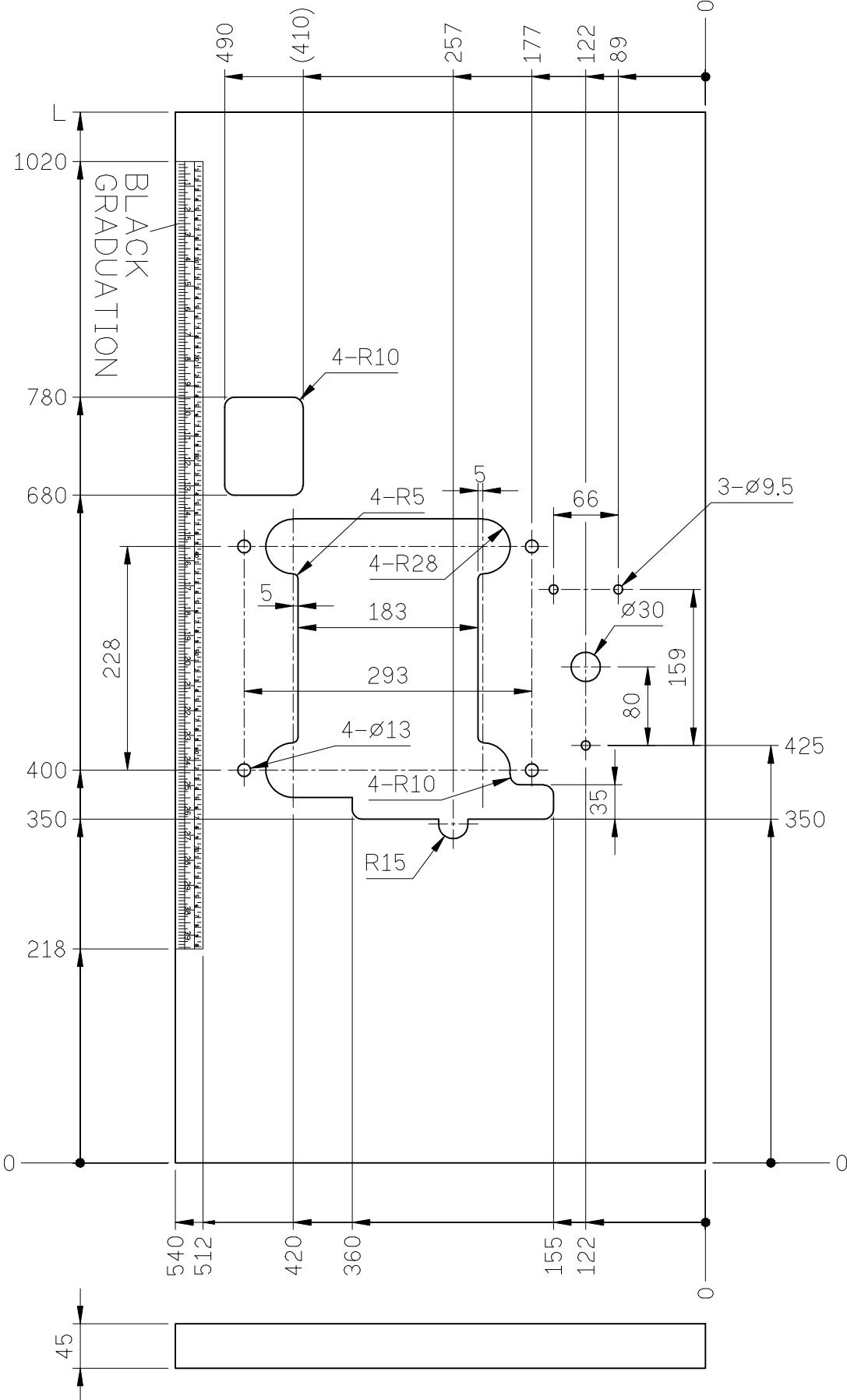
**SIRUBA**  
TABLE  
CUT - OUT

Series  
**VC008**

Item Code  
**VC008-T6**

Subclass Remark  
For VC008-12/VPQK  
VC008-12/VWL  
VC008-12/VSSM  
VC008-12/VSC

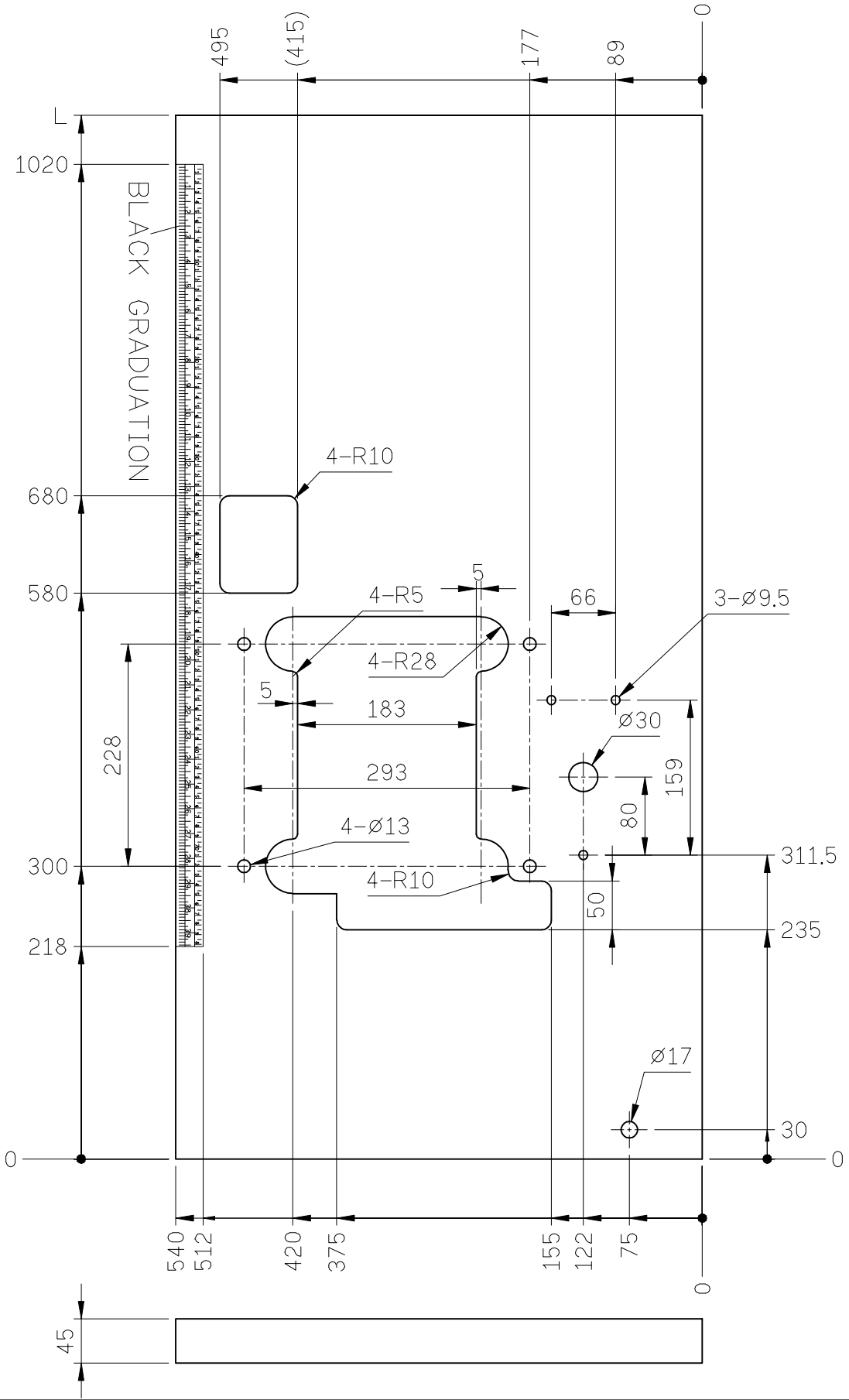
Mounting  
Semi-submerged  
Date  
**2012/11/08**



單位 / UNIT : mm  
所有尺寸公差 / TOLERANCE : ±2  
長度 (L) : 1070 / 重量 (W) : 11.5kg ±5%  
長度 (L) : 1200 / 重量 (W) : 12.5kg ±5%



<b>SIRUBA</b> TABLE CUT - OUT	Series	Item Code	Subclass Remark	Mounting
	<b>VC008</b>	<b>VC008-T7</b>	For VC008-02/VMR	Semi-submerged
				Date
				2012/11/08



單位 / UNIT : mm  
 所有尺寸公差 / TOLERANCE : ±2  
 長度 (L) : 1070 / 重量 (W) : 11.6kg ±5%  
 長度 (L) : 1200 / 重量 (W) : 12.6kg ±5%

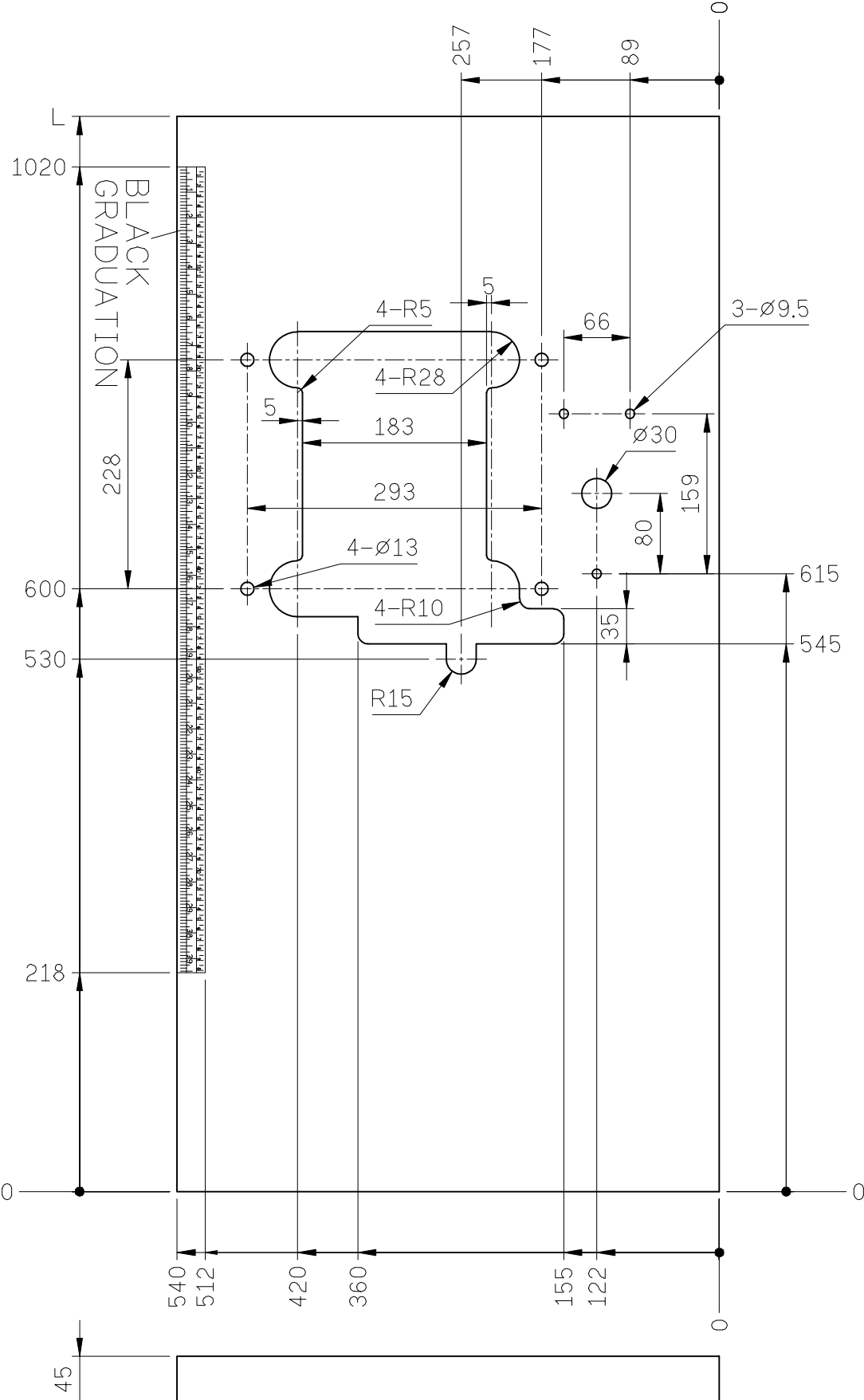
**SIRUBA**  
TABLE  
CUT - OUT

Series  
**VC008**

Item Code  
**VC008-T8**

Subclass Remark  
For VC008-12/VSM  
VC008-12/VSQ

Mounting <b>Semi-submerged</b>
Date <b>2012/11/08</b>



單位 / UNIT : mm  
所有尺寸公差 / TOLERANCE : ±2  
長度 (L) : 1070 / 重量 (W) : 11.6kg ±5%  
長度 (L) : 1200 / 重量 (W) : 12.6kg ±5%

<b>SIRUBA</b> TABLE CUT - OUT	<b>Series</b>	<b>Item Code</b>	<b>Subclass Remark</b>	<b>Mounting</b>
	<b>VC008</b>	<b>VC008-T9</b>	For VC008-12/VSC	<b>Semi-submerged</b>
				<b>Date</b>
				<b>2012/11/15</b>

