

SIRUBA		Series		Remark		Page	Date			
GAGE PARTS LIST		F007K / F858K				1 / 3	2013/07/06			
		F007KD / F858KD								
MODEL	SUB-CLASS	NEEDLE CLAMP	NEEDLE PLATE	MAIN FEED DOG	DIFF. FEED DOG	PRESSER FOOT	LOOPER	SPREADER	NEEDLE	
機 型	規 格	針 座	針 板	主送具	差送具	壓 具	勾 針	上 叉	使用針	
F007K(KD) F858K(KD)	W121 / FNA	240	M5240	E1534	D1206P	H1258	P2544A-A	ME28	MH41	UYX128GAS#10
		248	M5248	E1535		P2545A-A				
		356	M5356	E1836		P2445-A				
	W122 / FNA	364	M5364	E1837	D1207P	H1259	P2445-A1	ME28	MH41	UYX128GAS#10
		240	M5240	E1524	D1206P	H1258	P2544A-A			
		248	M5248	E1525	D1207P	H1259	P2545A-A			
	W122 / FNA / UTK	356	M5356	E1826	D1207P	H1259	P2445-A	ME28	MH41	UYX128GAS#10
		364	M5364	E1827		P2445-A1				
		240	M5240	E1524		P2544A-A				
	W122 / FNA / UTK	248	M5248	E1525	D1206P	H1258	P2545A-A	ME28	MH41	UYX128GAS#10
		356	M5356	E1826	D1207P	H1259	P2445-A			
		364	M5364	E1827	D1207P	H1259	P2445-A1			
U122 / FP	232	M5232	E1623	D1206P	H1257	P4011-A	ME28	—	TVX5#14	
	240	M5240	E1514	D1206P	H1258	P2544A-A				
	248	M5248	E1515		P2545A-A					
W123 / FNA	356	M5356	E1816		D1207P	H1259	P2445-A	ME28	MH41	UYX128GAS#10
	364	M5364	E1817	P2445-A1						
	240	M5240	E1514	P2544A-A						
W162 / FNA	356	M5356	E1846	D1207P	H1259	P2445-A	ME28A	MH41	TV#5#14~16	
	364	M5364	E1847		P2445-A1					
	240	M5240	E3023		D1215	H1261				P1813K-A
248	M5248	E3024	H1261	P1814K-A						
356	M5356	E3326	H1261	P1815K-A						
W222 / FQ	364	M5364	E3327	D1216	H1262	P2116K-A	ME28	MH41	UYX128GAS#10	
	240	M5240	E3023	D1215	H1261	P1813K-A				
	248	M5248	E3024	D1215	H1261	P1814K-A				

# SIRUBA

## MODEL COMPARE LIST

Series

F007K / F858K  
F007KD / F858KD

Remark

Page

Date

2 / 3

2013/07/05

MODEL	SUB-CLASS	NEEDLE CLAMP	NEEDLE PLATE	MAIN FEED DOG	DIFF. FEED DOG	PRESSER FOOT	LOOPER	SPREADER	NEEDLE
機 型	規 格	針 座	針 板	主送具	差送具	壓 具	勾 針	上 叉	使用針
F007K(KD) F858K(KD)	U222 / FQ	M5240	E3024	D1215	H1261	P2314K-A	ME28	—	UYX128GAS#10
		M5248	E3025	D1215	H1261	P2315K-A			
		M5356	E3326	D1216	H1262	P2616K-A			
F007K F858K	W222 / FFD(FFP)	M5240	E3024	D1215	H1261	P1814K-A	ME28	MH41	UYX128GAS#10
		M5248	E3025	D1215	H1261	P1815K-A			
		M5356	E3326	D1216	H1262	P2116K-A			
F007K(KD) F858K(KD)	W222 / FSM	M5240P	E3024	D1215	H1261	P2314K-A	ME28	—	UYX128GAS#10
		M5248P	E3025	D1215	H1261	P2315K-A			
		M5364P	E3327	D1216	H1262	P2617K-A			
F007K(KD) F858K(KD)	W322 / FDC	M5356	E4826K	D1207P	H1359K	P2445-A	ME28	MH41	UYX128GAS#10
		M5364	E4827K	D1207P	H1262	P2714-A			
		M5364	E4837K	D1207P	H1459-E	P2715-A			
F007K F858K	W512 / FFC(FFC)	M5240	E1524	D1206P	H1258	P2914-A	ME28	MH41	UYX128GAS#10
		M5248	E1525	D1206P	H1258	P2915-A			
		M5356	E1826	D1207P	H1259	P3216-A			
F007K F858K	U512 / FFC(FFC)	M5240	E1524	D1206P	H1258	P3414-A	ME28	—	UYX128GAS#10
		M5248	E1525	D1206P	H1258	P3415-A			
		M5356	E1826	D1207P	H1259	P3716-A			
F007K F858K	W322 / FDE	M5356	E4836K	D1207P	H1459-E	P2445-A	ME28	MH41	UYX128GAS#10
		M5364	E4837K	D1207P	H1259	P2445-A1			
		M5364	E4837K	D1207P	H1259	P3217-A			

# SIRUBA

## GAGE PARTS LIST

Series  
F007K / F858K  
F007KD / F858KD

Remark

Page

Date

3 / 3

2013/07/06

MODEL	SUB-CLASS	NEEDLE CLAMP	NEEDLE PLATE	MAIN FEED DOG	DIFF. FEED DOG	PRESSER FOOT	LOOPER	SPREADER	NEEDLE
機 型	規 格	針 座	針 板	主送具	差送具	壓 具	勾 針	上 叉	使用針
W522 / FR	232	M5232	E6023	D2221	H2267	P2813K-A	ME28	MH41	UYX128GAS#10
	240	M5240	E6024	D2221	H2267	P2814K-A			
	248	M5248	E6025	D2221	H2267	P2815K-A			
U613 / FBP	356	M5356	E6326	D2222	H2268	P3116K-A	ME28	—	TVX5#14~18
	364	M5364	E6327	D2222	H2268	P3117K-A			
	256	M5356	E1836L	D1207P	H1259	P4000-A			
U712	264	M5264	E5827	D5207	H5259	P4117-A	FS03/04	—	DVX43#11~16
	264	M5264	E5827	D5207	H5259	P4117-A			
	264	M5264	E5827	D5207	H5259	P4117-A			
U712 / FSR	264	M5264	E5927	D5307	H5359	P4217-A	FS03/04	—	DVX43#12~14
	496	M5496	E5496	D5411	H5411	P5120-A1 (成品寬1.2mm用)			
	4111	M5411	E5411	D5411	H5411	P5121-A1 (成品寬1.4mm用)			
U712A / FSP	264	M5264	E5827	D5207	H5259	P5118-A (成品寬1.2mm用)	FS03/04	—	DVX43#11~16
	388	M4388	E6828	D6207	H6259	P6117-A			
	456	M5456K	E1828Q	D1207P	H1259	P2428K-A			
W922 / FW(FWP)	460	M5460K	E1838Q	D1207P	H1259	P2438K-A	FW28D	MH41	SM1014B#10 (MY1014B#70, SY7256)
	464	M5464K	E1848Q	D1207P	H1259	P2448K-A			
	456	M5456K	E1828Q	D1207P	H1259	P2428K-A			
W923 / FW(FWP)	460	M5460K	E1838Q	D1207P	H1259	P2438K-A	FW28D	MH41	SM1014B#10 (MY1014B#70, SY7256)
	464	M5464K	E1848Q	D1207P	H1259	P2448K-A			
	464	M5464K	E1848Q	D1207P	H1259	P2448K-A			

F007K(KD)  
F858K(KD)

# SIRUBA

## GAGE PARTS LIST

Series

F007KD

Remark

USE FOR FFT

Page

1 / 1

Date

2012/11/01

機 型	規 格	針 座	針 板	主送具	差送具	上送具	壓 具	勾 針	上 叉	NEEDLE
W121/FFT/FHA	240	M5240	E1534	D1207P	H1259	F7356N	P7364N-A	ME28	MH41	UYX128GAS#10
	248	M5248	E1535							
	356	M5356	E1836							
W121/FFT/FHA /UTG(UTJ)	364	M5364	E1837	D1207P	H1259	F7356N	P7364N-A	ME28	MH41	UYX128GAS#10
	240	M5240	E1524							
	248	M5248	E1525							
W122/FFT/FHA	356	M5356	E1826	D1207P	H1259	F7356N	P7364N-A	ME28	MH41	UYX128GAS#10
	364	M5364	E1827							
	240	M5240	E1524							
W122/FFT/FHA /UTG(UTJ)	248	M5248	E1525	D1206P	H1258	F7240N	P7240N-A	ME28	MH41	UYX128GAS#10
	356	M5356	E1826							
	364	M5364	E1827							
W122/FFT/FHA /UTG(UTJ)	240	M5240	E1524	D1207P	H1259	F7356N	P7364N-A	ME28	MH41	UYX128GAS#10
	248	M5248	E1525							
	356	M5356	E1826							
W122/FFT/FHA /UTG(UTJ)	364	M5364	E1827	D1207P	H1259	F7356N	P7364N-A	ME28	MH41	UYX128GAS#10
	240	M5240	E1524							
	248	M5248	E1525							
W122/FFT/FHA /UTG(UTJ)	356	M5356	E1826	D1207P	H1259	F7356N	P7364N-A	ME28	MH41	UYX128GAS#10
	364	M5364	E1827							
	240	M5240	E1524							
W122/FFT/FHA /UTG(UTJ)	248	M5248	E1525	D1206P	H1258	F7240N	P7240N-A	ME28	MH41	UYX128GAS#10
	356	M5356	E1826							
	364	M5364	E1827							



# SIRUBA

## GAGE PARTS LIST

Series  
**F007KD**

Remark

USE FOR FFT

Page

2 / 2

Date

2012/11/01

MODEL	SUB-CLASS	NEEDLE CLAMP	NEEDLE PLATE	MAIN FEED DOG	DIFF. FEED DOG	TOP FEED DOG	PRESSER FOOT	LOOPER	SPREADER	NEEDLE
W131 /FFT /FHA	240	M5240	E7240FL	D7240F	H7240F	F7240F	P7240F-A	ME28	MH41	UYX128GAS#10
	248	M5248	E7248FL	D7356F	H7356F	F7356F	P7248F-A	ME28	MH41	
	356	M5356	E7356FL	D7356F	H7356F	F7356F	P7356F-A			
W131 /FFT /FHA /UTG(UTJ)	364	M5364	E7364FL	D7356F	H7356F	F7356F	P7364F-A	ME28	MH41	UYX128GAS#10
	240	M5240	E7240FM	D7240F	H7240F	F7240F	P7240F-A			
	248	M5248	E7248FM	D7356F	H7356F	F7356F	P7248F-A			
W1322 /FFT /FHA	356	M5356	E7356FM	D7356F	H7356F	F7356F	P7356F-A	ME28	MH41	UYX128GAS#10
	364	M5364	E7364FM	D7356F	H7356F	F7356F	P7364F-A			
	240	M5240	E7240FM	D7240F	H7240F	F7240F	P7240F-A			
W132 /FFT /FHA /UTG(UTJ)	248	M5248	E7248FM	D7356F	H7356F	F7356F	P7248F-A	ME28	MH41	UYX128GAS#10
	356	M5356	E7356FM	D7356F	H7356F	F7356F	P7356F-A			
	364	M5364	E7364FM	D7356F	H7356F	F7356F	P7364F-A			
U131 /FFT /FHA /FHK	248	M5248	E7248FL	D7240F	H7240F	F7240F	P7248U-A	ME28	—	UYX128GAS#10
	256	M5356	E7356FL	D7356F	H7356F	F7356F	P7256U-A			
	264	M5364	E7364FL	D7356F	H7356F	F7356F	P7264U-A			
U132 /FFT /FHA /FHK	248	M5248	E7248FM	D7240F	H7240F	F7240F	P7248U-A	ME28	—	UYX128GAS#10
	256	M5356	E7356FM	D7356F	H7356F	F7356F	P7256U-A			
	264	M5364	E7364FM	D7356F	H7356F	F7356F	P7264U-A			

**SIRUBA**

PARTS LIST

Series

F007K/F007KD  
F858K/F858KD

Parts Group

**MA-K**

Subclass / Remark

# :Use for F007KD/F858KD  
△ :Use for FW/FWP/FSM

Page

1/2

Date

2013/04/10

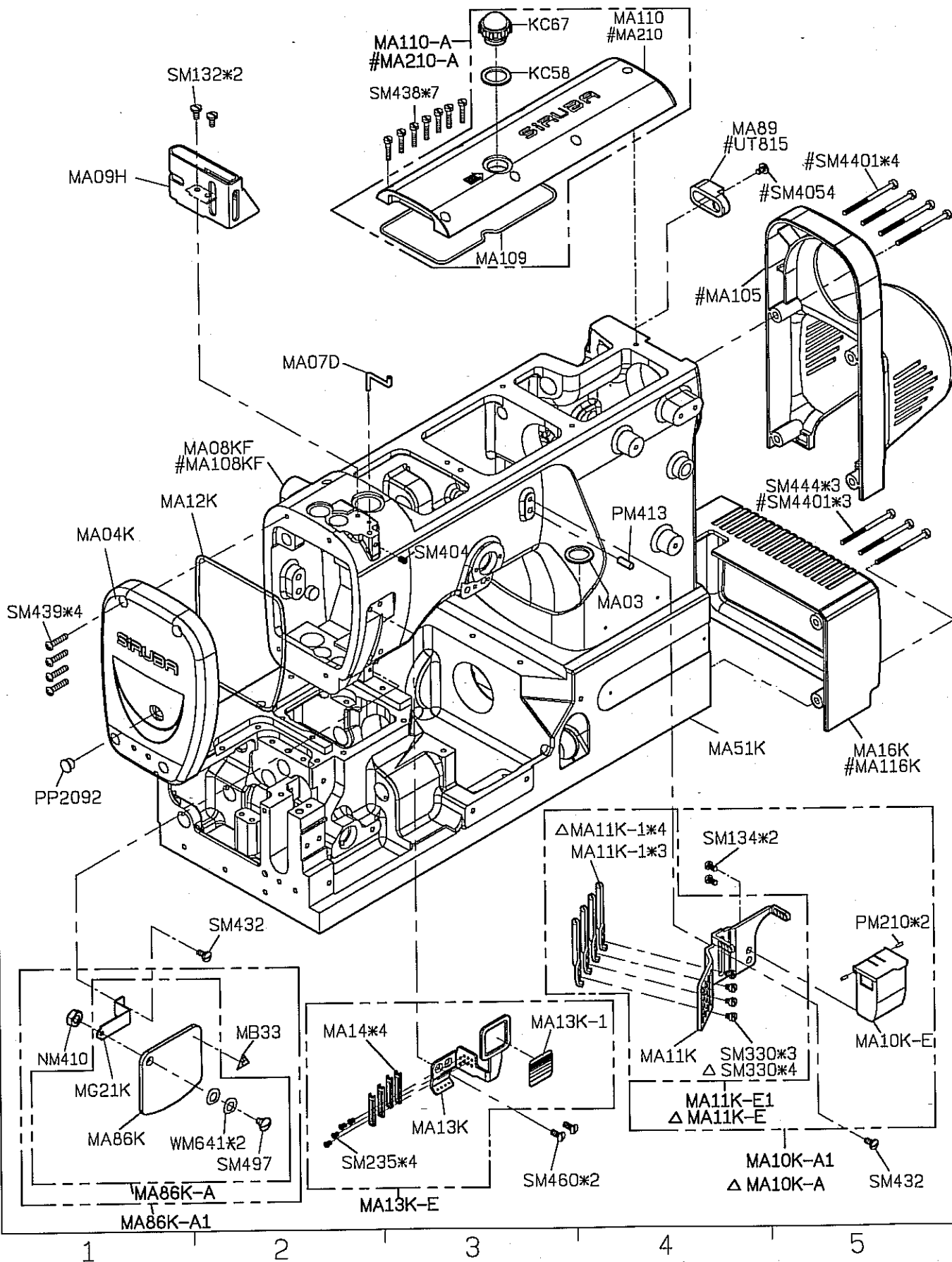
A

B

C

D

E



**SIRUBA**

PARTS LIST

Series

F007K/F007KD  
F858K/F858KD

Parts Group

**MA-K**

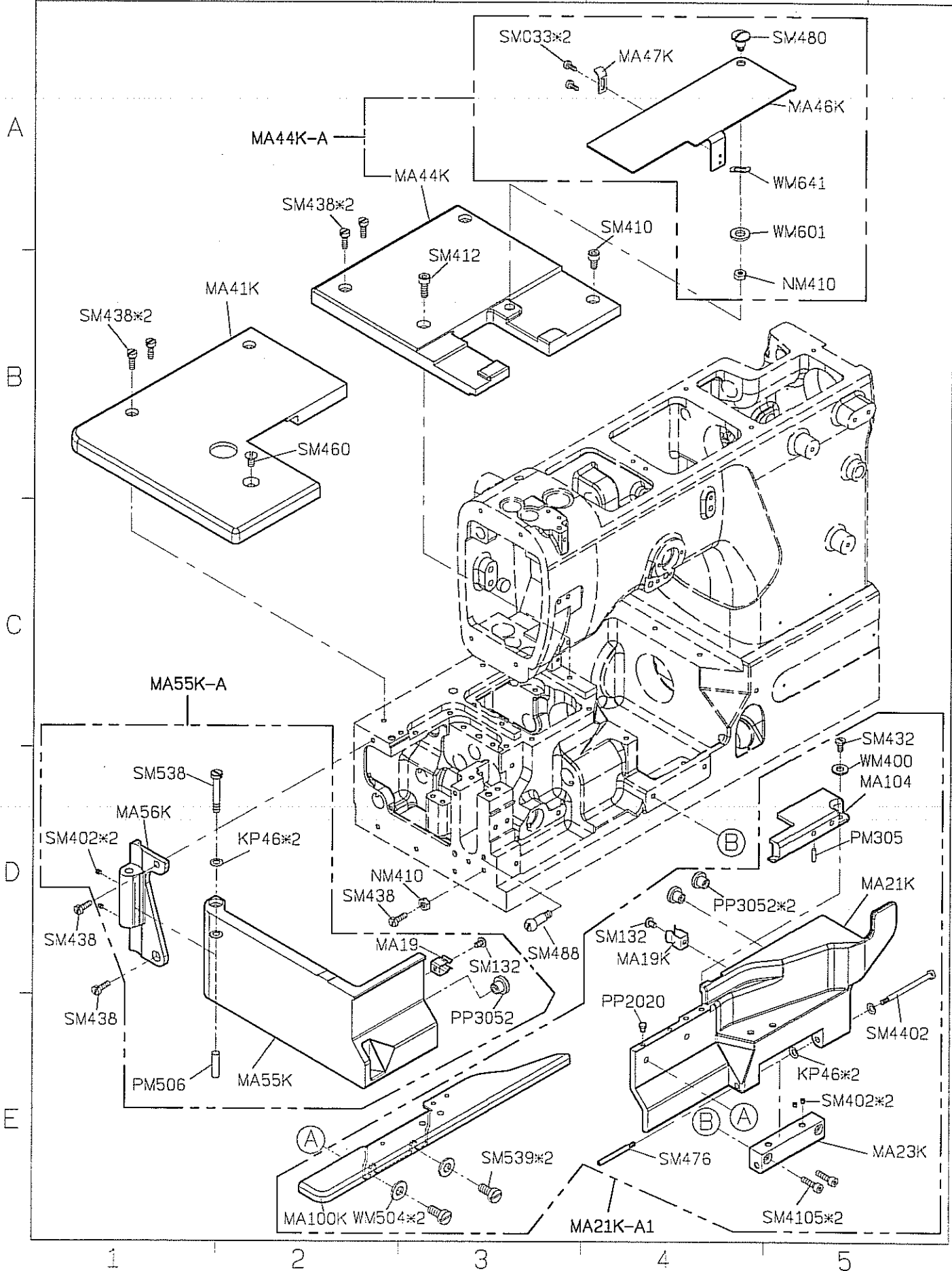
Subclass / Remark

Page

2/2

Date

2013/08/21



**SIRUBA**

PARTS LIST

Series

F007K/F007KD  
F858K/F858KD

Parts Group

**MB-K**

Subclass / Remark

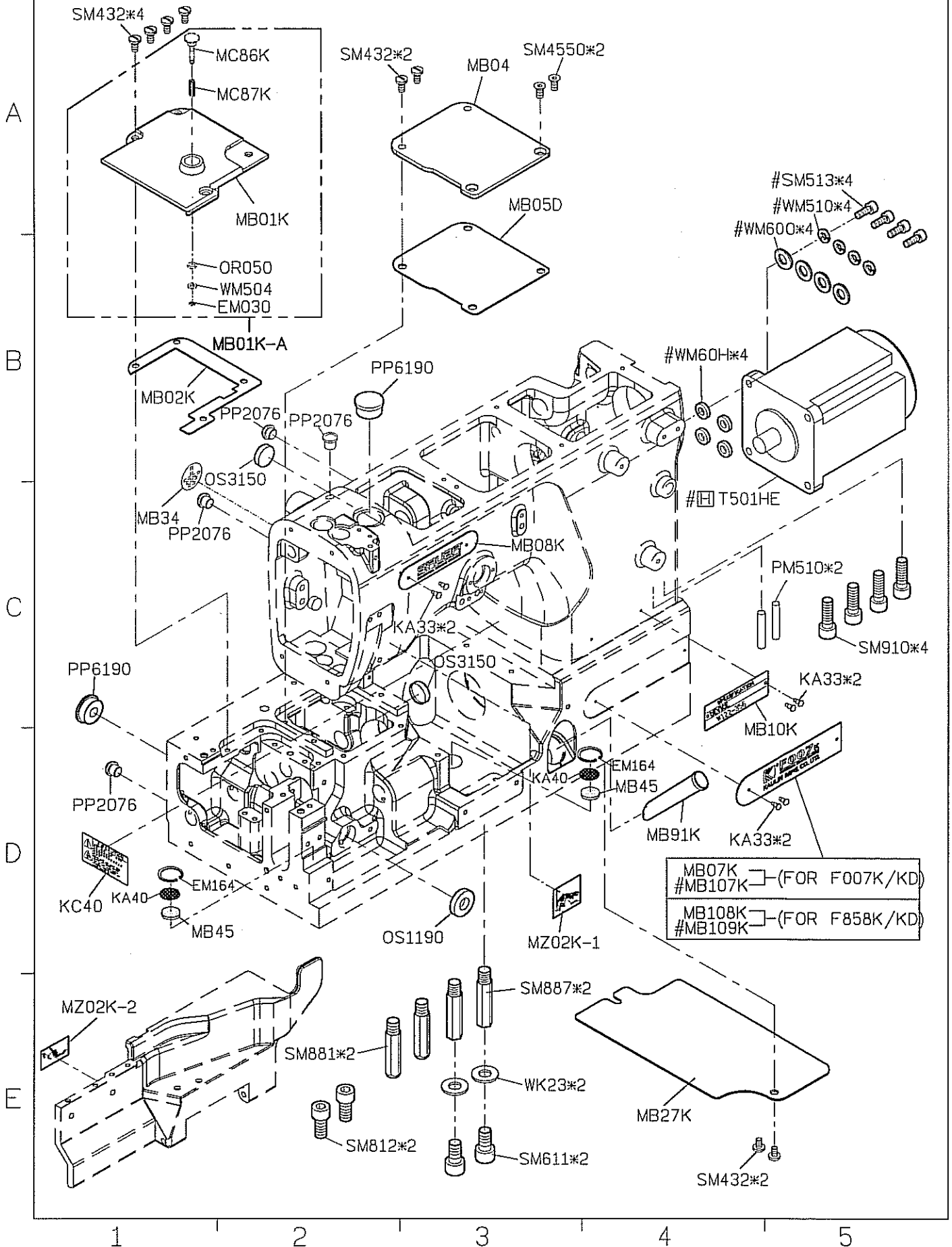
# :Use for F007KD/F858KD

Page

1/1

Date

2013/02/23



**SIRUBA**

PARTS LIST

Series

F007K/F007KD  
F858K/F858KD

Parts Group

**MC-K**

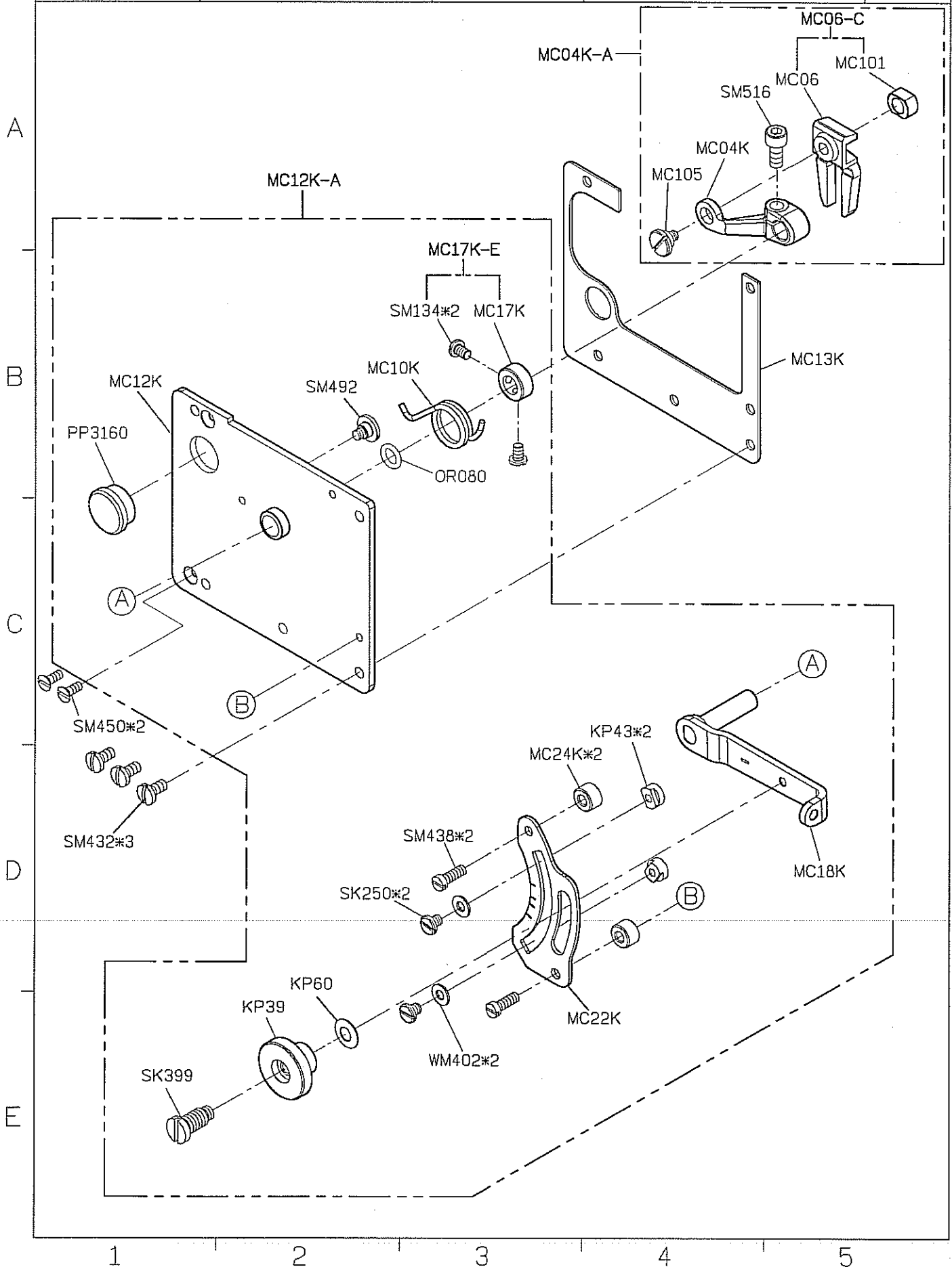
Subclass / Remark

Page

1/2

Date

2013/01/21



**SIRUBA**

PARTS LIST

Series

F007K/F007KD  
F858K/F858KD

Parts Group

**MC-K**

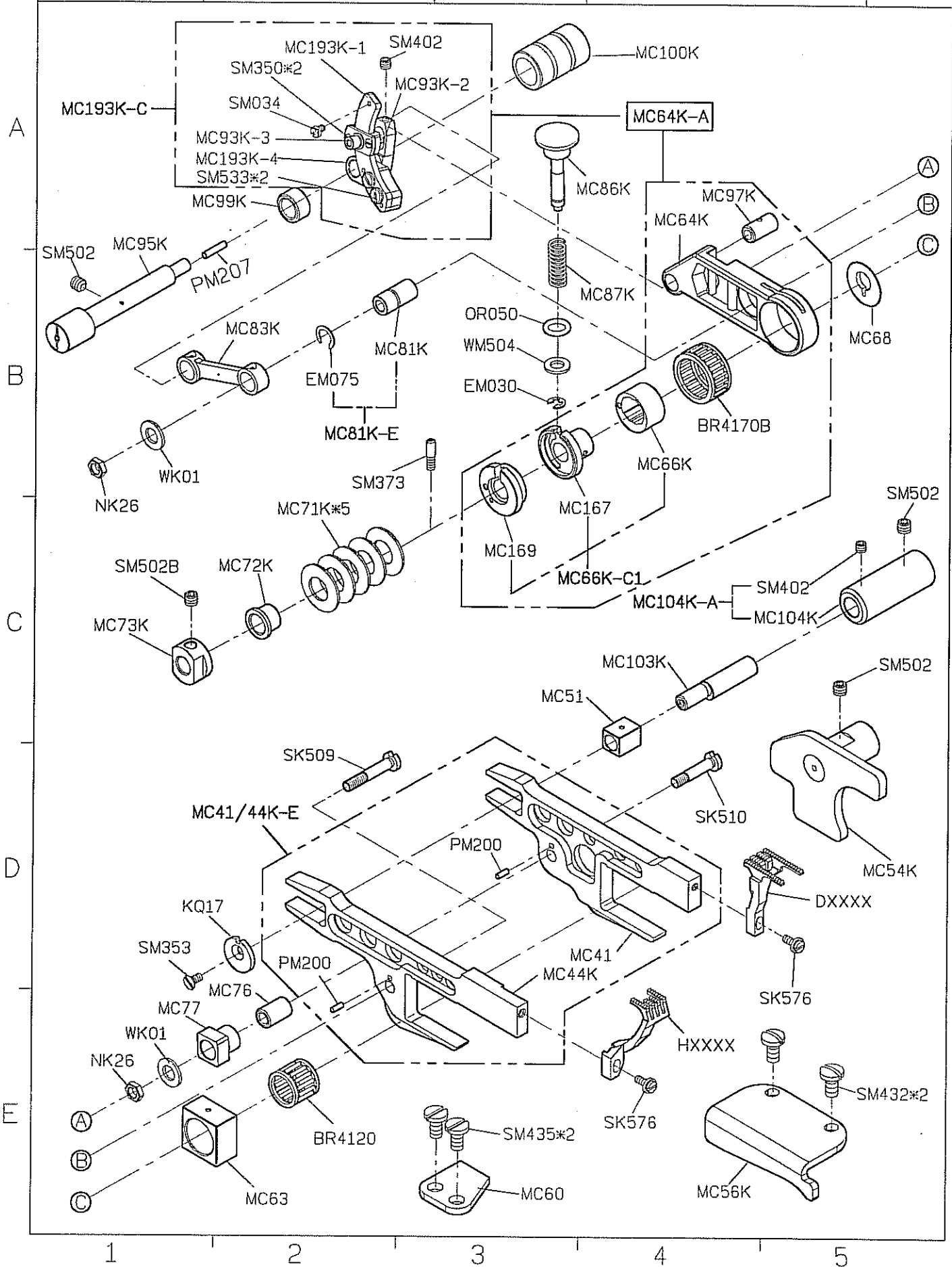
Subclass / Remark

Page

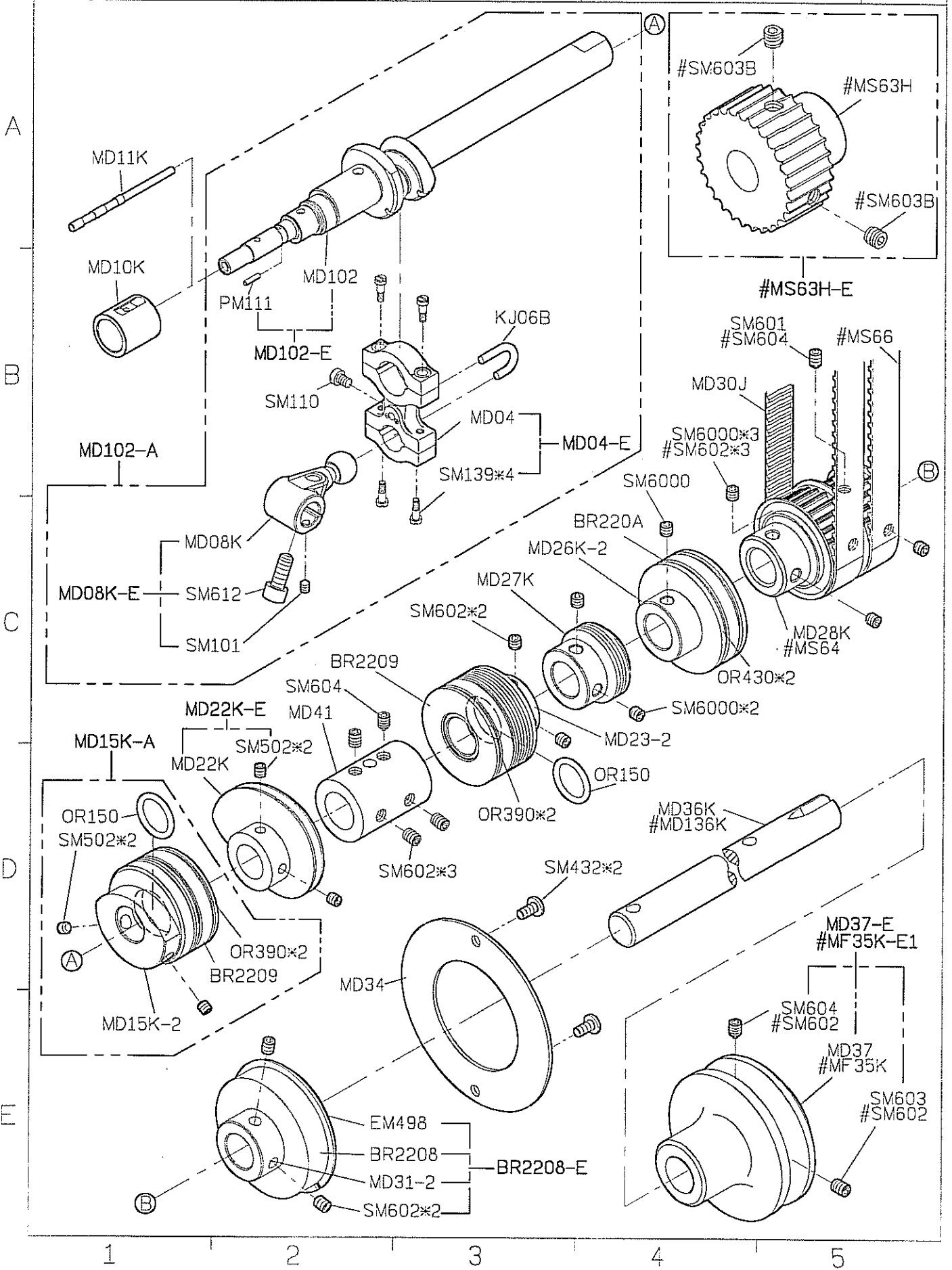
2/2

Date

2013/03/28



SIRUBA PARTS LIST	Series	Parts Group	Subclass / Remark	Page
	F007K/F007KD	<b>MD-K</b>	# :Use for F007KD/F858KD	1/1
	F858K/F858KD			Date
				2013/07/05



**SIRUBA**

**PARTS LIST**

**Series**  
**F007K/F007KD**  
**F858K/F858KD**

**Parts Group**  
**ME-K**

**Subclass / Remark**

**Page**

1/1

Date

2012/10/31

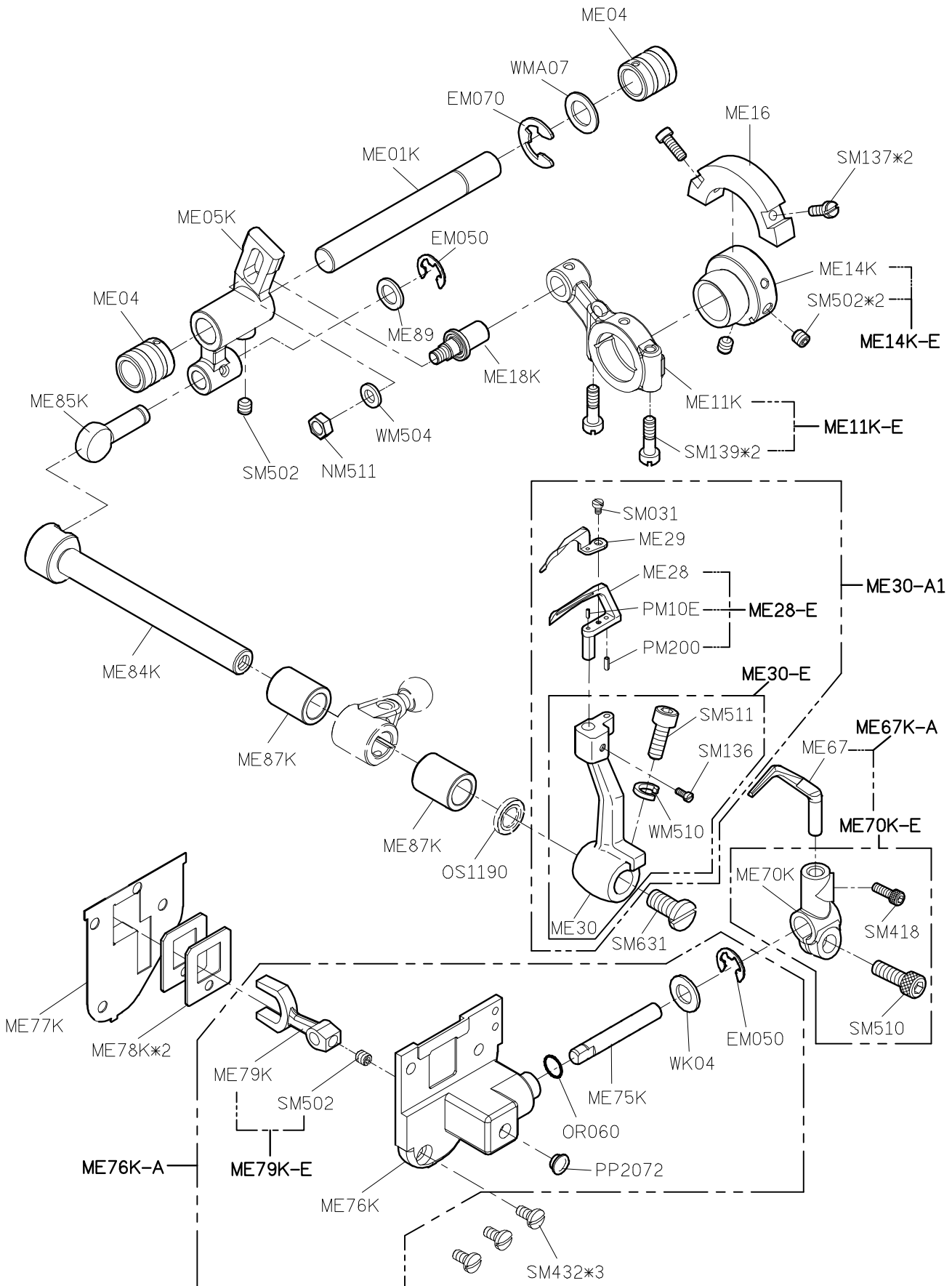
A

B

C

D

E



1

2

3

4

5



**SIRUBA**

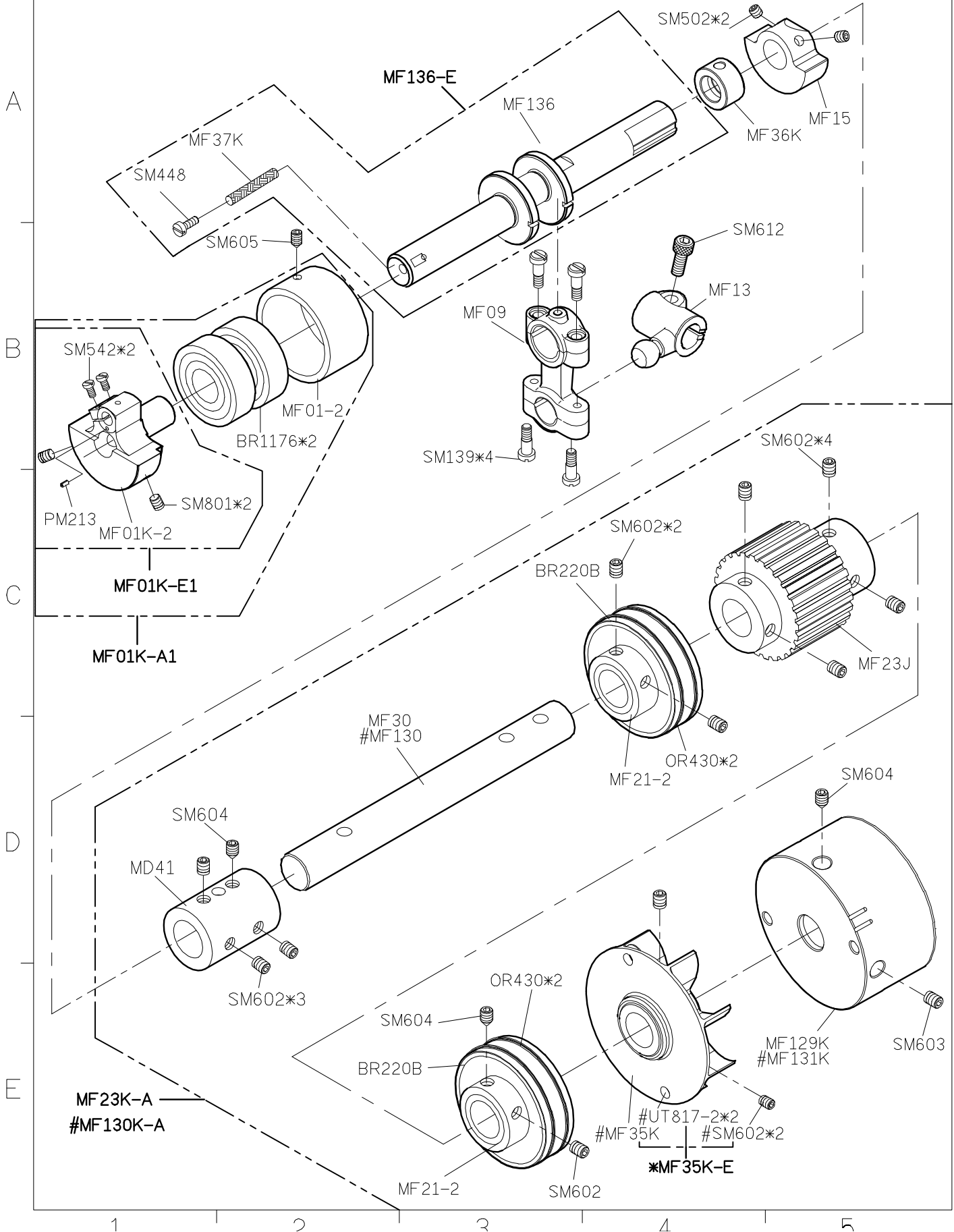
PARTS LIST

Series  
**F007K/F007KD**  
**F858K/F858KD**

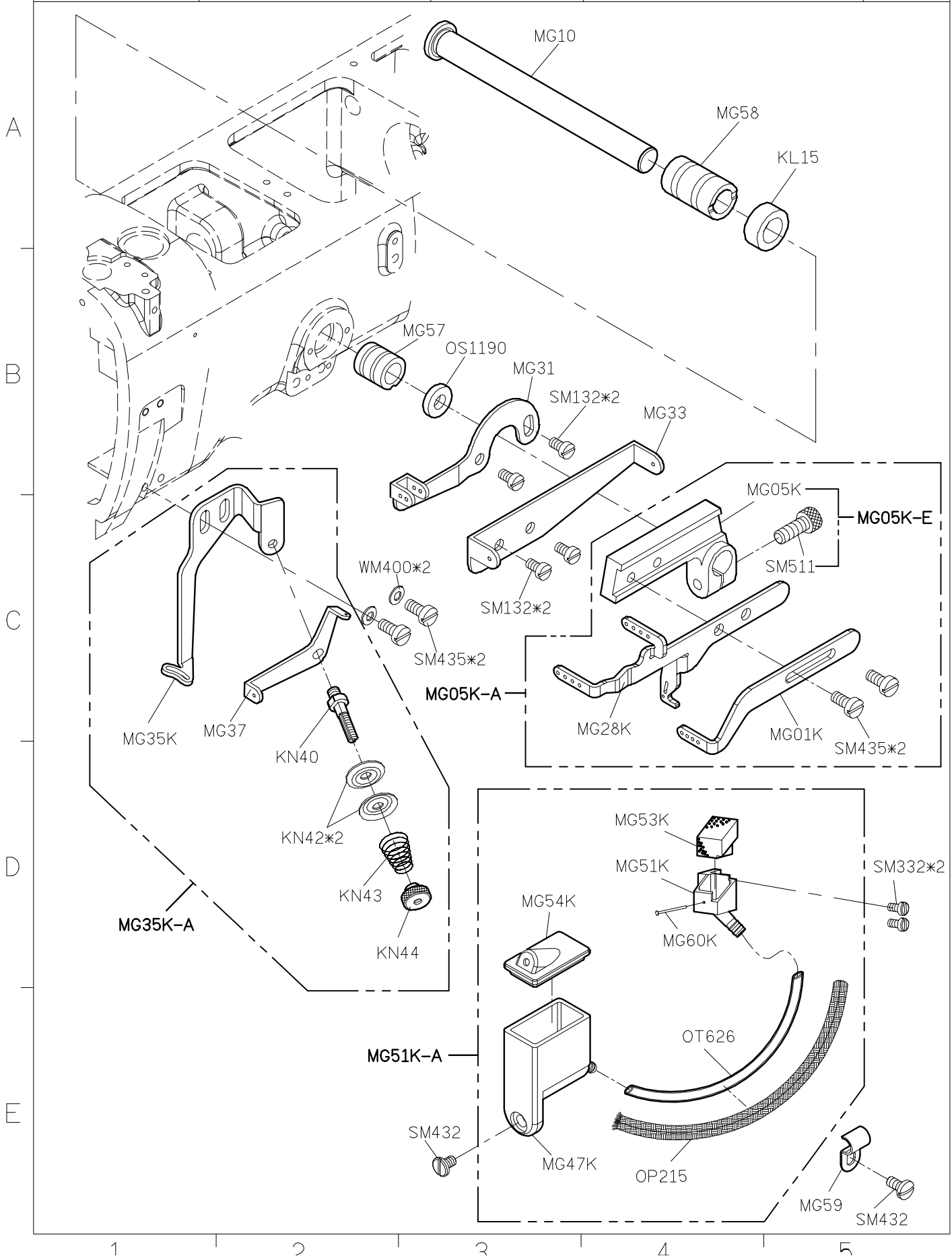
Parts Group  
**MF-K**

Subclass / Remark  
# :Use for F007KD/F858KD

Page  
1/1  
Date  
2012/10/31



SIRUBA PARTS LIST	Series	Parts Group	Subclass / Remark	Page
	F007K/F007KD	MG-K		1/1
	F858K/F858KD			Date
				2012/10/31



1                      2                      3                      4                      5

**SIRUBA**  
PARTS LIST

Series  
**F007K/F007KD**  
**F858K/F858KD**

Parts Group  
**MH-K**

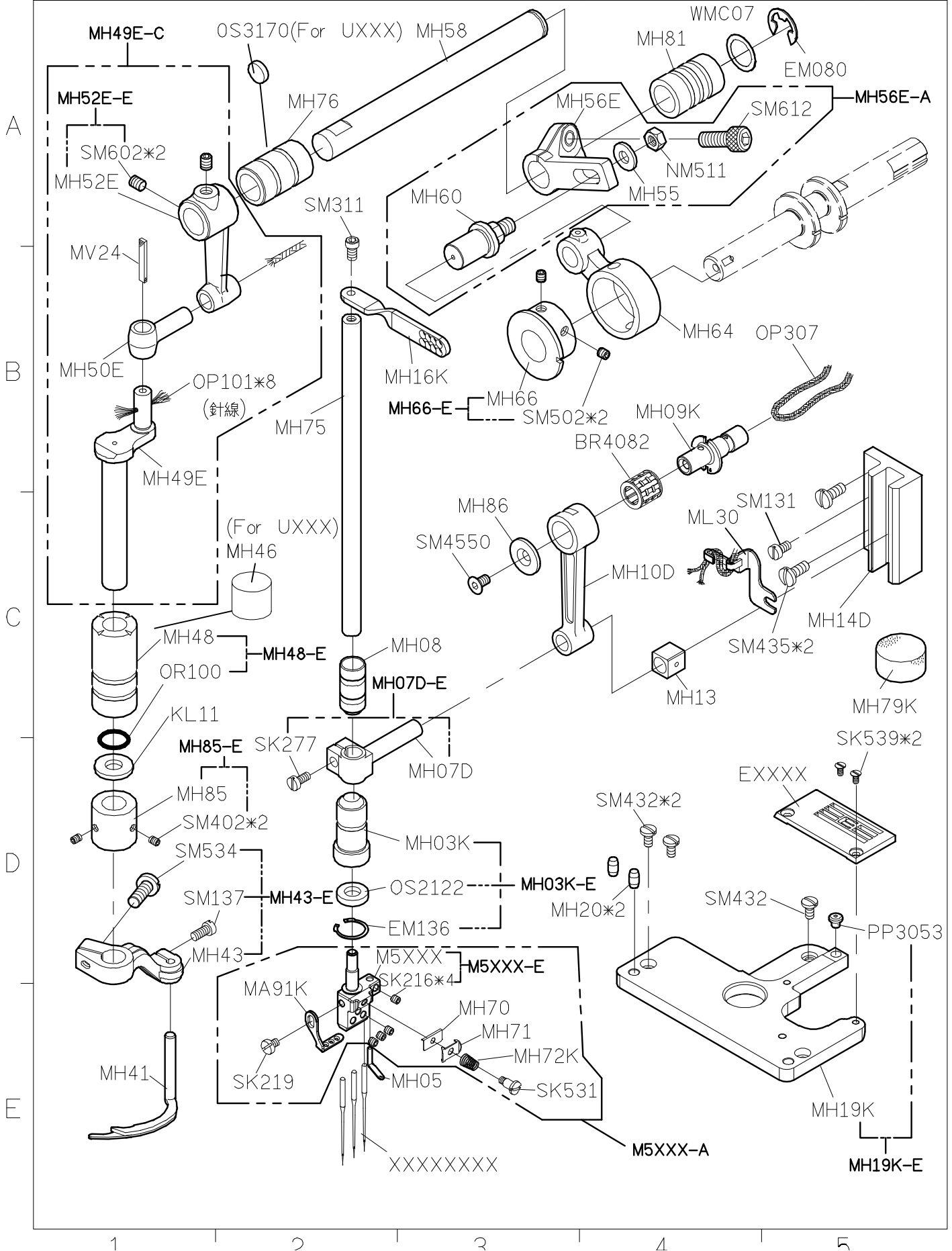
Subclass / Remark

Page

1/1

Date

2012/10/31



**SIRUBA**

PARTS LIST

Series

F007K/F007KD  
F858K/F858KD

Parts Group

**MJ-K**

Subclass / Remark

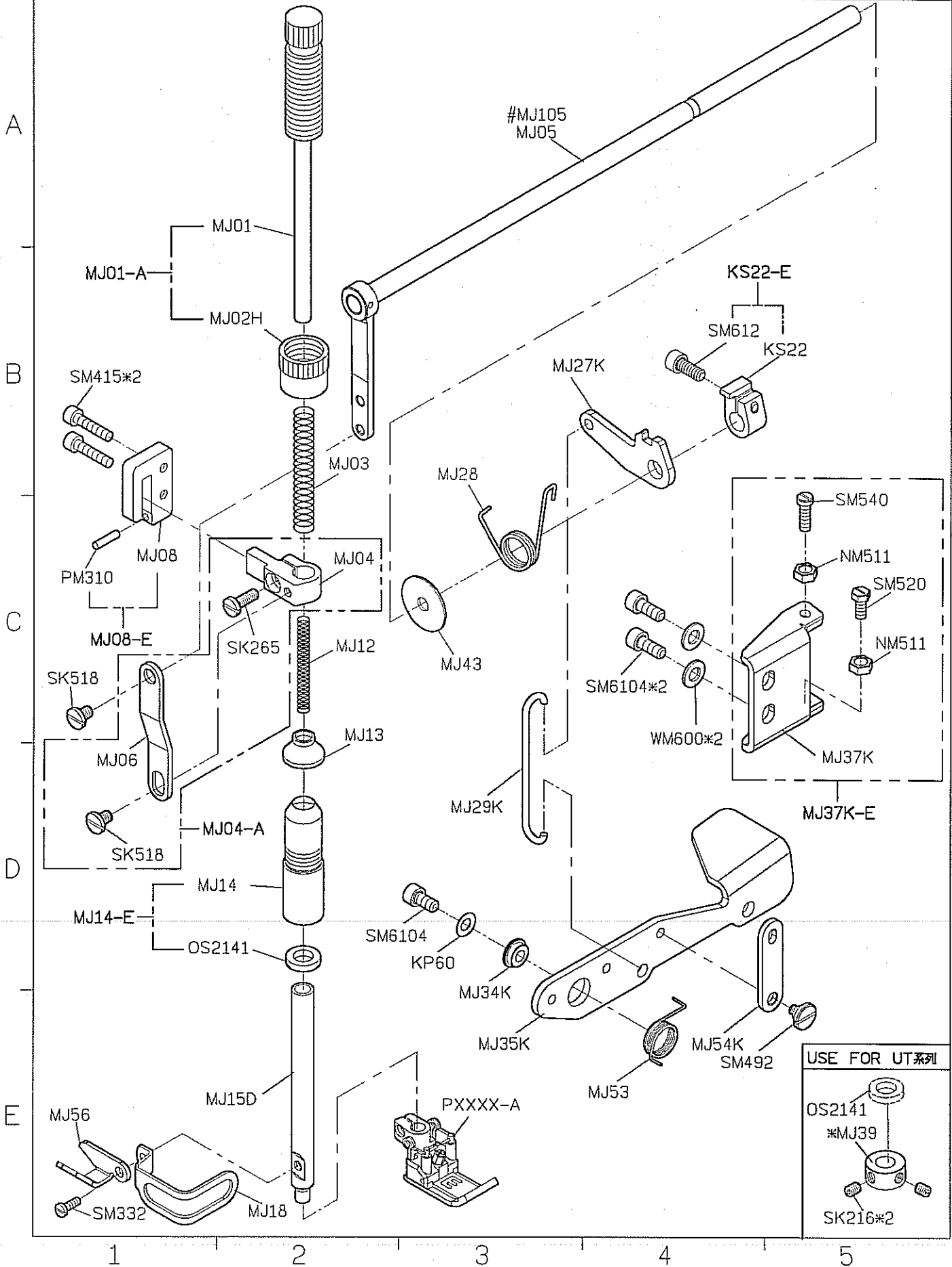
# :Use for F007KD/F858KD

Page

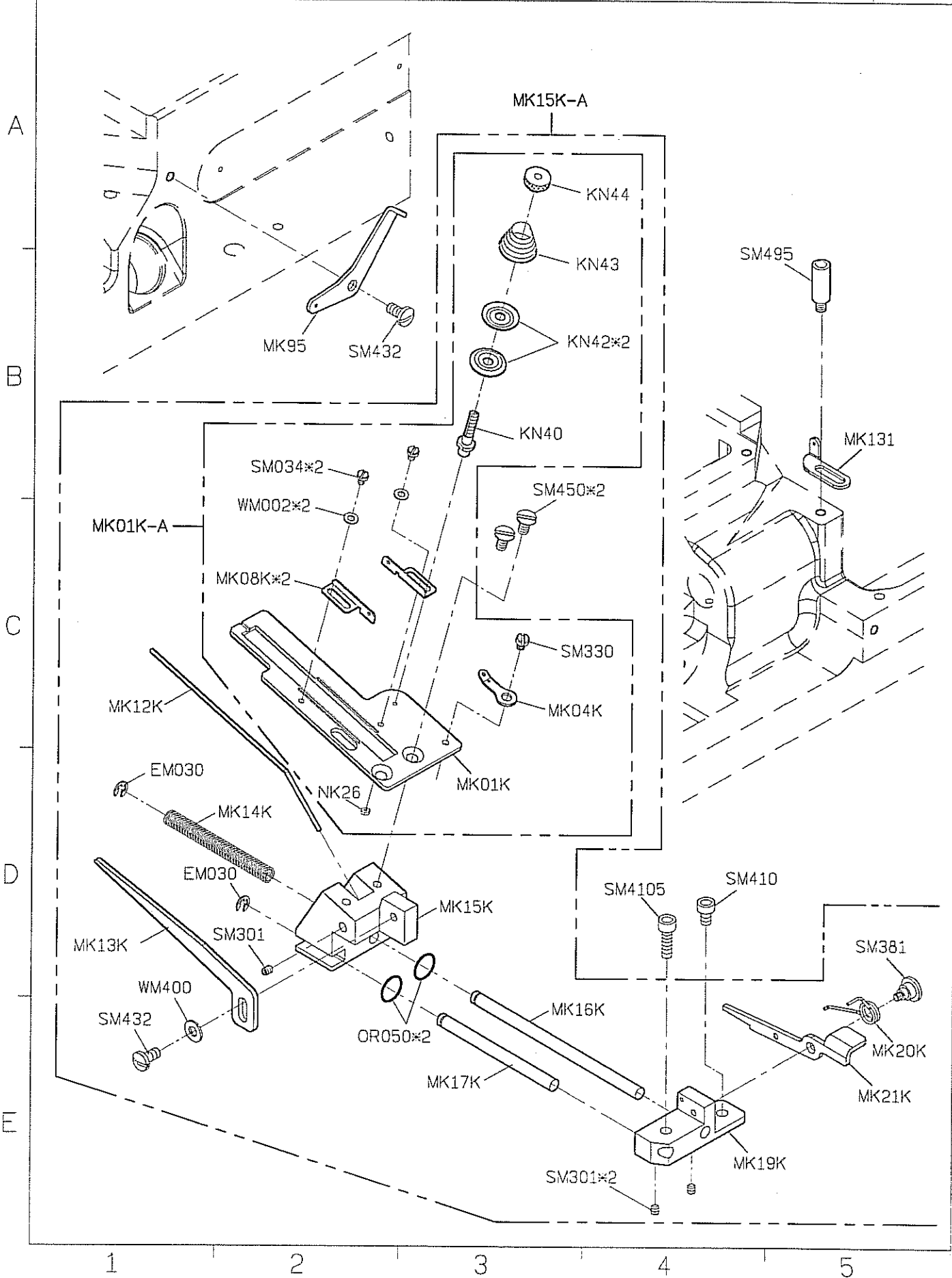
1/1

Date

2013/01/18



SIRUBA PARTS LIST	Series	Parts Group	Subclass / Remark	Page
	F007K/F007KD	MK-K		1/2
	F858K/F858KD			Date
				2013/08/07



**SIRUBA**

PARTS LIST

Series

**F007K/F007KD  
F858K/F858KD**

Parts Group

**MK-K**

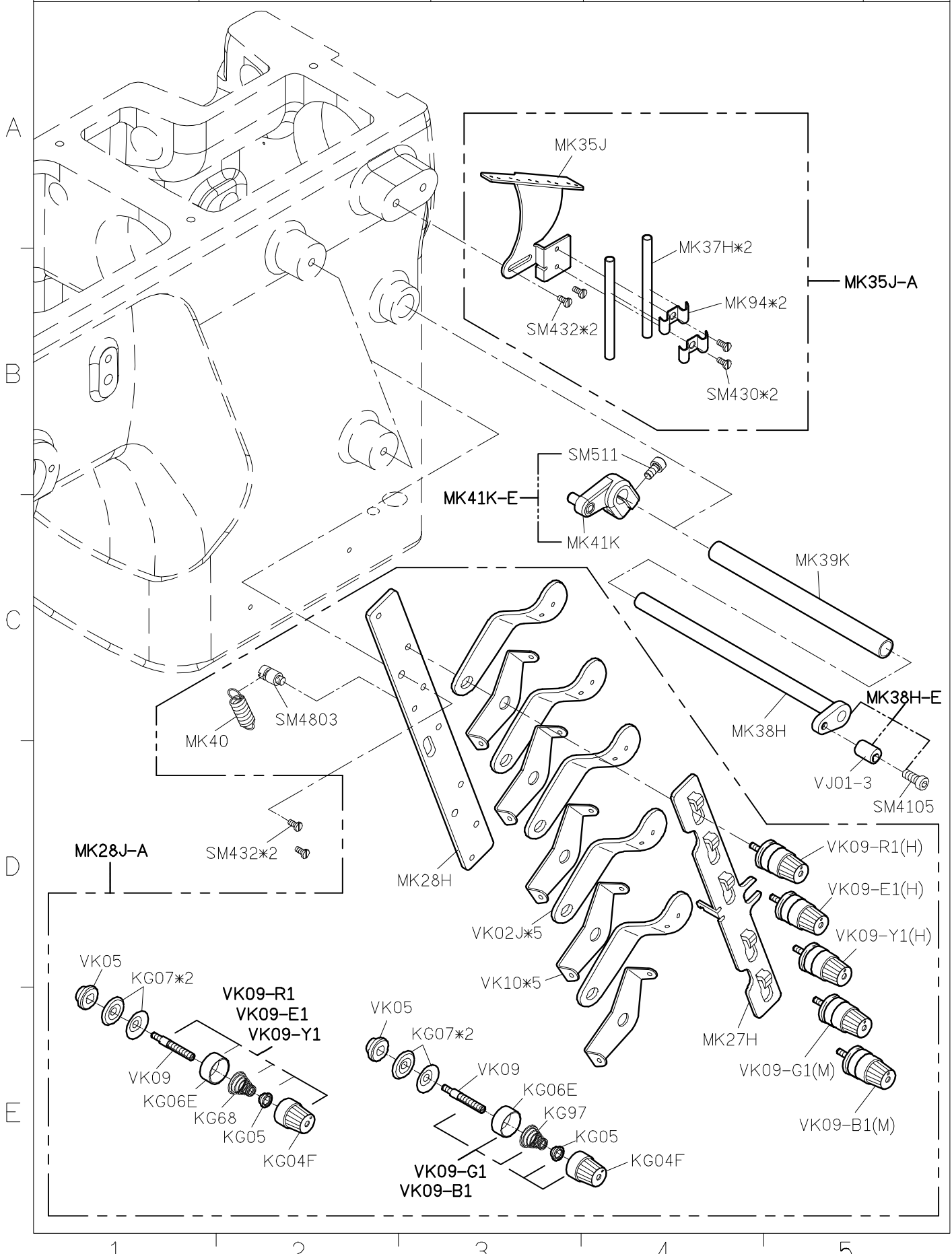
Subclass / Remark

Page

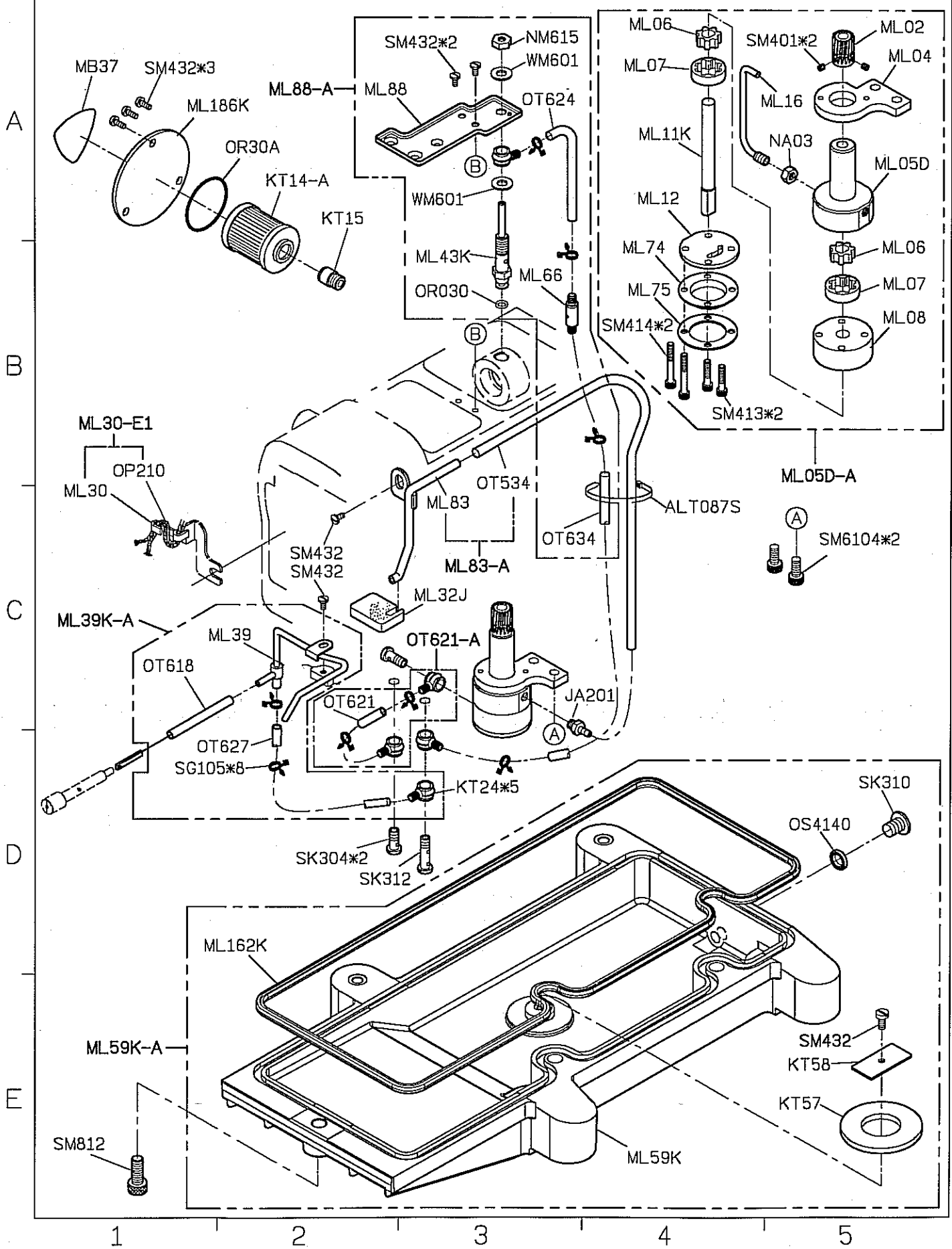
2/2

Date

2012/10/31



SIRUBA PARTS LIST	Series	Parts Group	Subclass / Remark	Page
	F007K/F007KD	ML-K		1/1
	F858K/F858KD			Date
				2013/04/11



**SIRUBA**

PARTS LIST

Series

**F007K/F007KD  
F858K/F858KD**

Parts Group

**MN-K**

Subclass / Remark

Page

1/2

Date

2012/10/31

**Semi-submerged**

A

B

C

D

E

F007K-T  
F007K-T1(FR)

KX05\*4

MN02K-E

SM531\*2

MN17\*4

MN14-A

MN09  
MN02K\*2

MN12  
MN12-E\*4  
MN15

KX08\*4

MN13\*4

MN16\*4

KX08\*4

MN14\*4

KX206\*3

TXXXXX-A  
POWER CONTROL  
BOX COMB

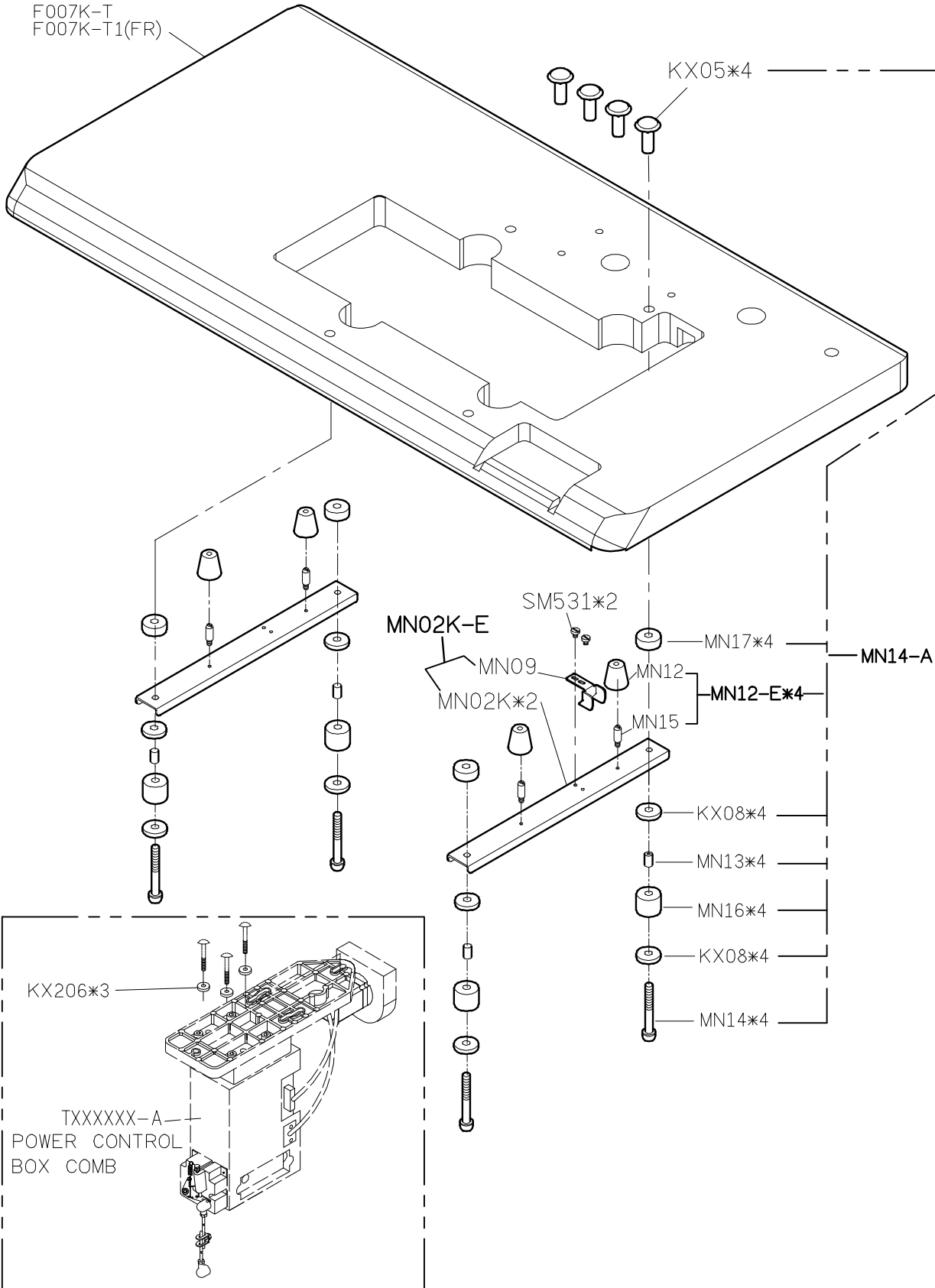
1

2

3

4

5





**SIRUBA**

PARTS LIST

Series  
**F007K/F007KD**  
**F858K/F858KD**

Parts Group  
**MN-K**

Subclass / Remark

Page

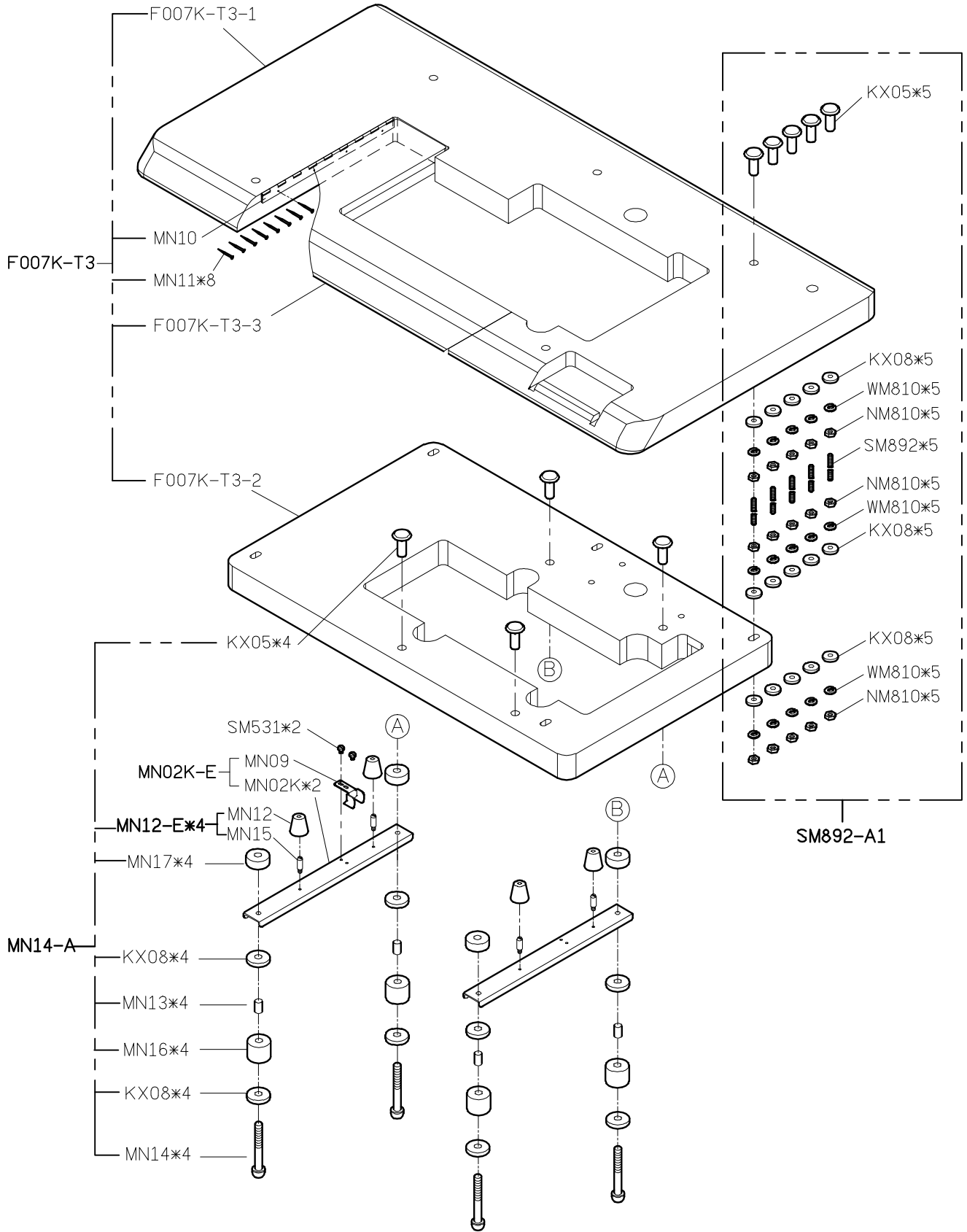
2/2

Date

2012/10/31

**Fully-submerged**





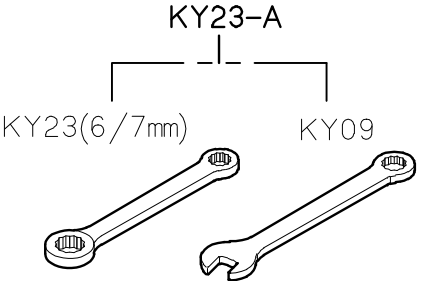
A  
B  
C  
D  
E



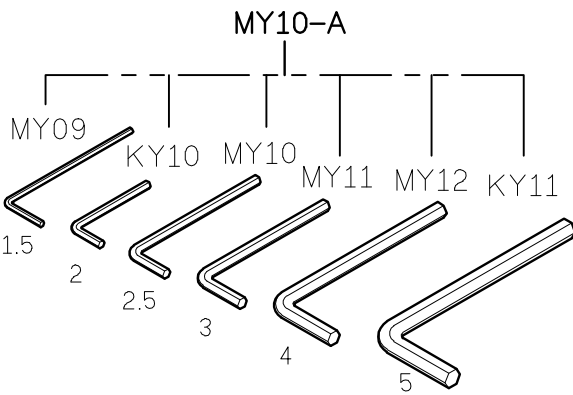
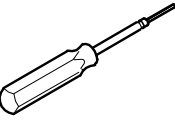
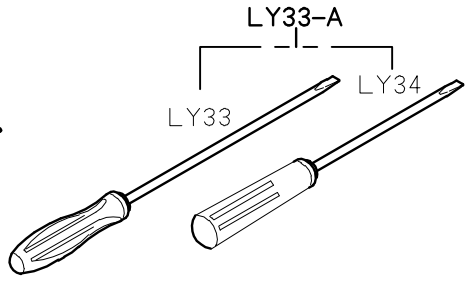
1 2 3 4 5

<b>SIRUBA</b> PARTS LIST	Series	Parts Group	Subclass / Remark	Page
	F007K/F007KD	<b>MY-K</b>		1/1
	F858K/F858KD		Date	
			2012/10/31	


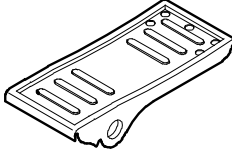
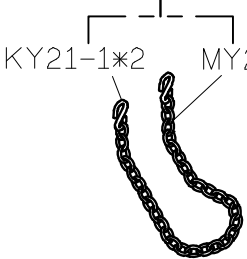

**A**

MY01  KY03  KY04  KY05-A  KY23-A 

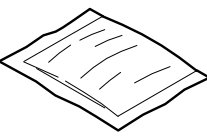
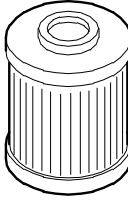

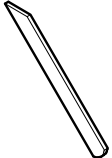
**B**

MY10-A  KY14  LY33-A 

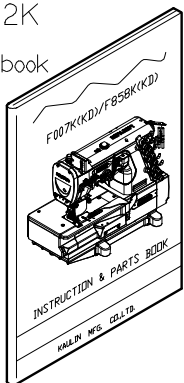
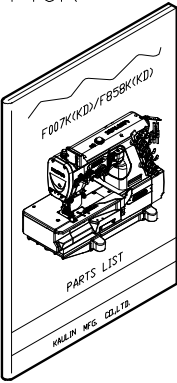
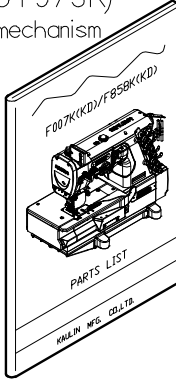
**C**

KY18  KY20D-A  MY21-E  KY201 

**D**

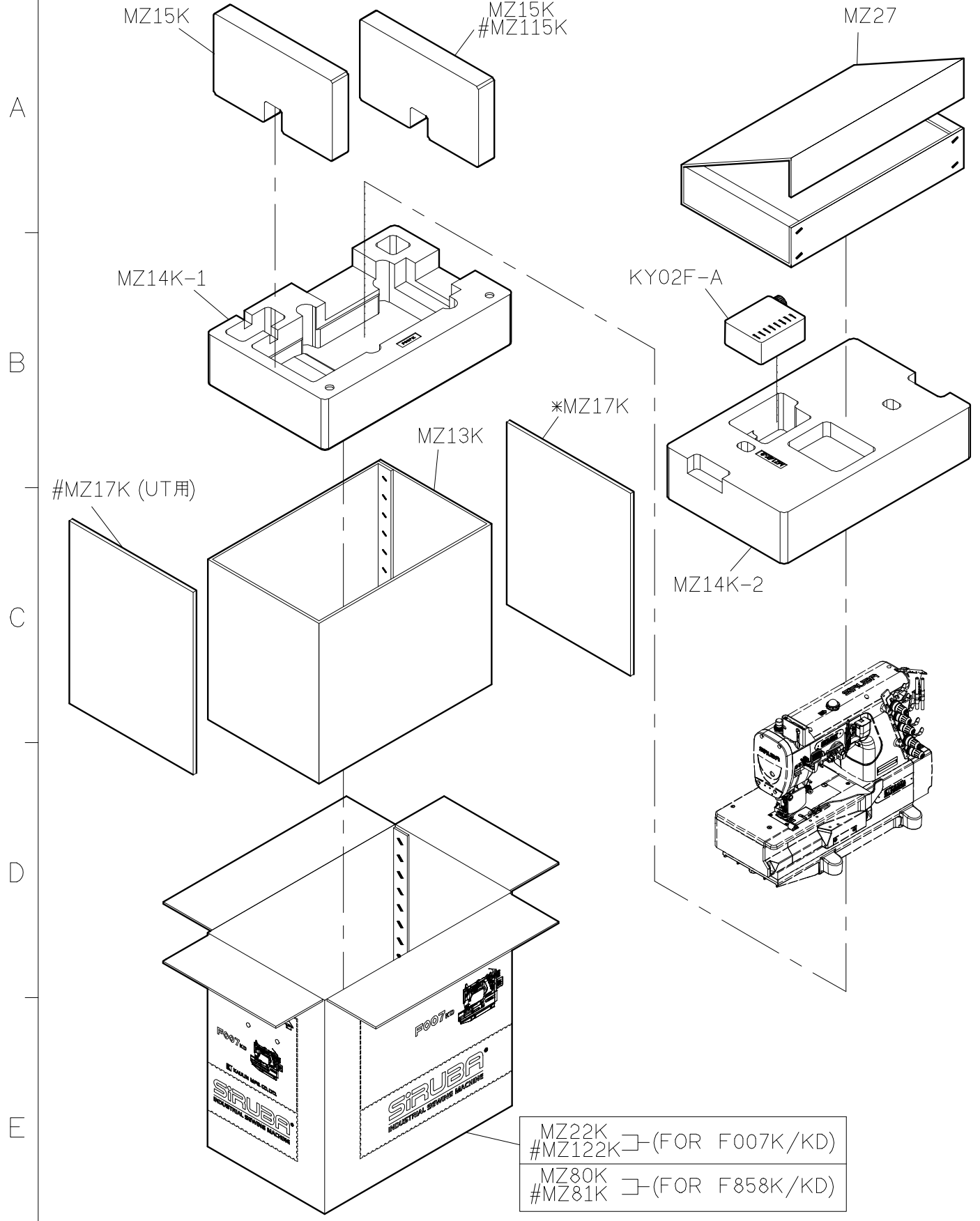
KZ03  KT14-A  UYX128GAS#10\*5  FR40K  加裝FR時用

**E**

Instruction book (使用説明書)  Parts list (零件圖)  Special mechanism (特殊件零件圖) 

Parts list	
Basic mechanism	MY43K
Special mechanism	MY43K MY44K
UTK/UTH UTG/UTJ	MY43K UT973K
Special mechanism + UTK/UTH UTG/UTJ	MY43K MY44K UT973K

SIRUBA PARTS LIST	Series	Parts Group	Subclass / Remark	Page
	F007K/F007KD	MZ-K	# :Use for F007KD/F858KD	1/1
	F858K/F858KD			Date
				2012/10/31



A

B

C

D

E

1

2

3

4

5

MZ22K  
#MZ122K □-(FOR F007K/KD)

MZ80K  
#MZ81K □-(FOR F858K/KD)

SIRUBA PARTS LIST	Series	Parts Group	Subclass / Remark	Page
	F007K/F007KD	FA		1/3
	F858K/F858KD			Date
				2013/03/25

A

B

C

D

E

FA10E-A

FG06E\*2

FA10E

研發部  
2013.03.26  
發行

LF86

SK371

LF86-E

WM411\*3 SM434\*3

WM408\*3

LF71-E\*2

SK216\*2 LF71

LF64

LF66K

WK01

LF74

SK250

LF66K

KP46

EM060\*3

SM5056\*4

LF60E-13

SM4837\*2

LF73K

SM502\*2

LF61Q

LF65K

EM060\*2

LF70-E\*2

LF62

SK216

LF70

LF68

LF64

LF69K

LF91\*2

SK216\*2 LF71

LF63Q

LF71-E\*2

NK30

FA08

NK30

NK30

FA16

SK574

SK574\*3

1

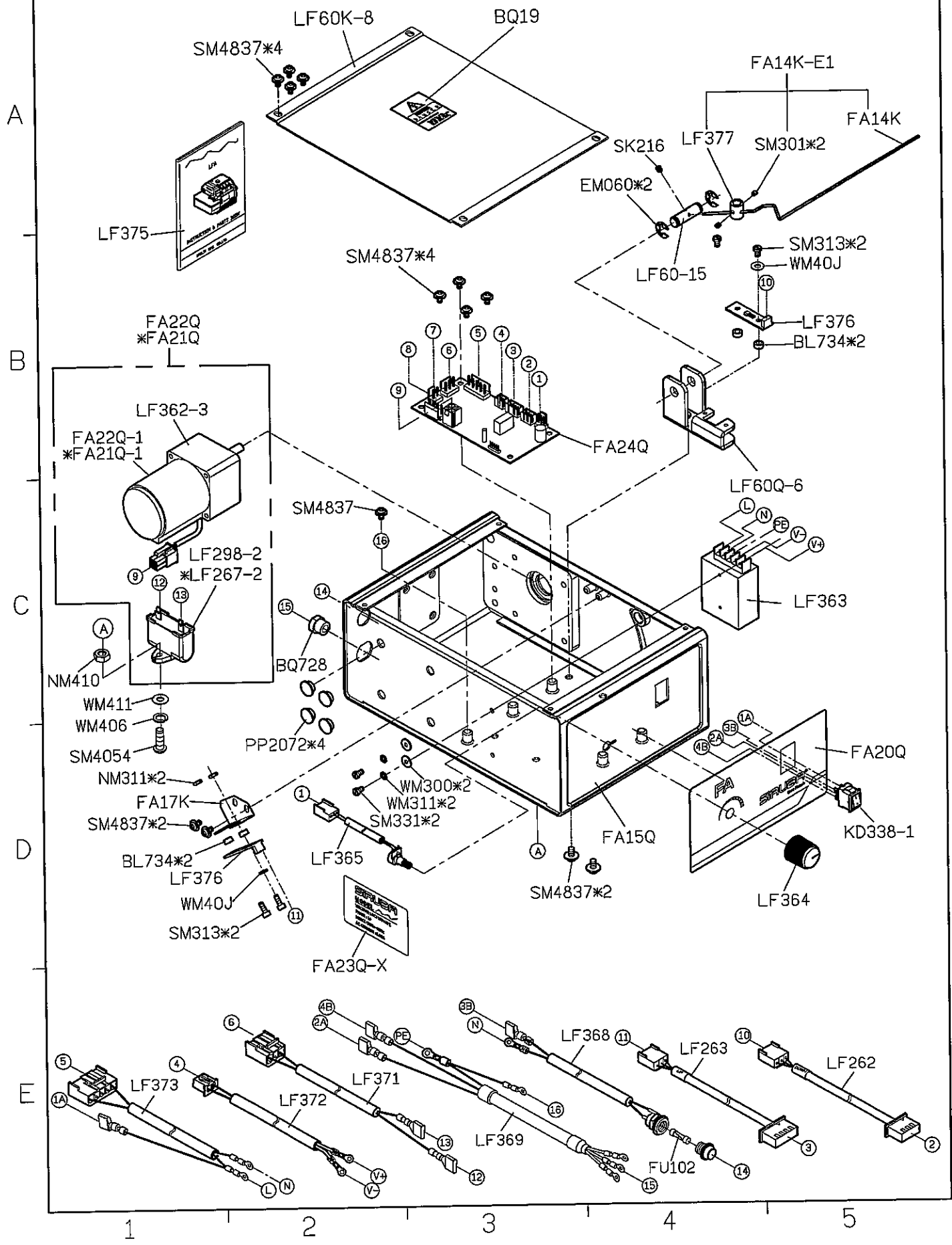
2

3

4

5

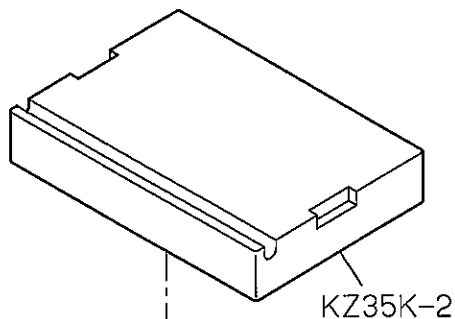
SIRUBA PARTS LIST	Series	Parts Group	Subclass / Remark	Page
	F007K/F007KD	FA	*:Use for 110V	2/3
	F858K/F858KD			Date
				2013/07/01



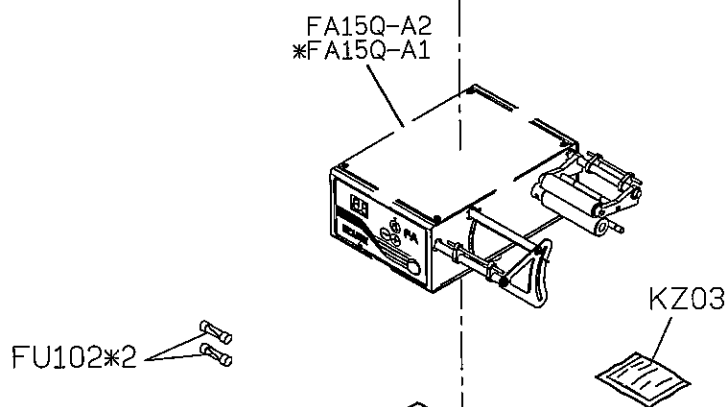
SIRUBA PARTS LIST	Series	Parts Group	Subclass / Remark	Page
	F007K/F007KD F858K/F858KD	FA	*:Use for 110V	3/3
				Date 2013/03/25

研發部  
 2013.03.26  
 發行

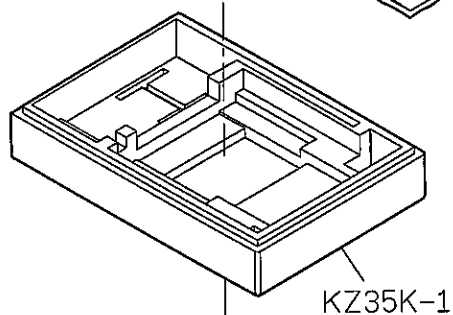
A



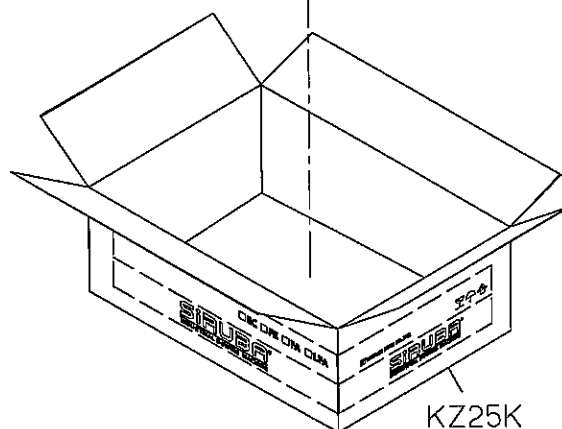
B



C



D



E

\* FOR 110V

1

2

3

4

5

**SIRUBA**

PARTS LIST

Series  
**F007K/F007KD**  
**F858K/F858KD**

Parts Group  
**FAC-K**

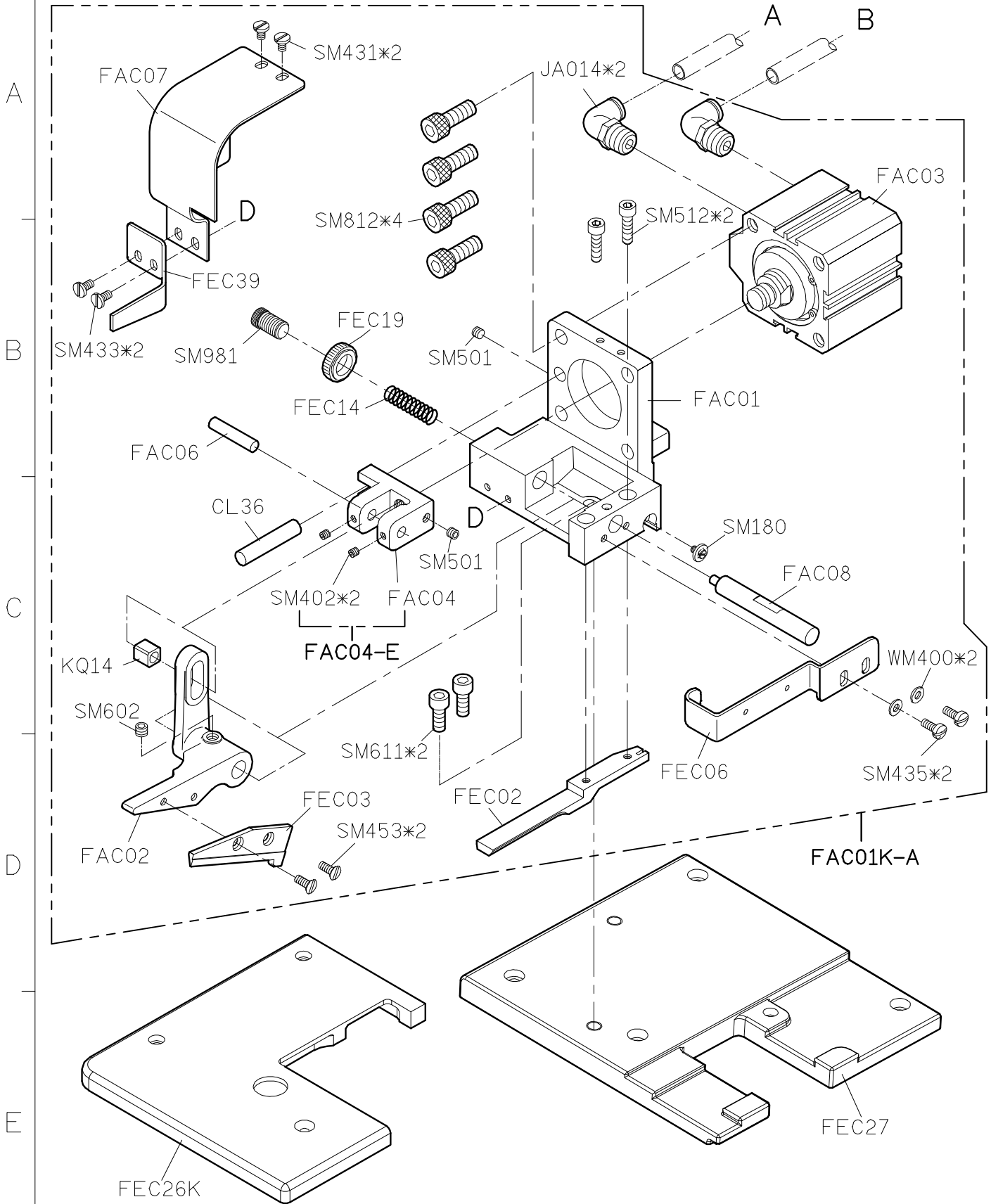
Subclass / Remark

Page

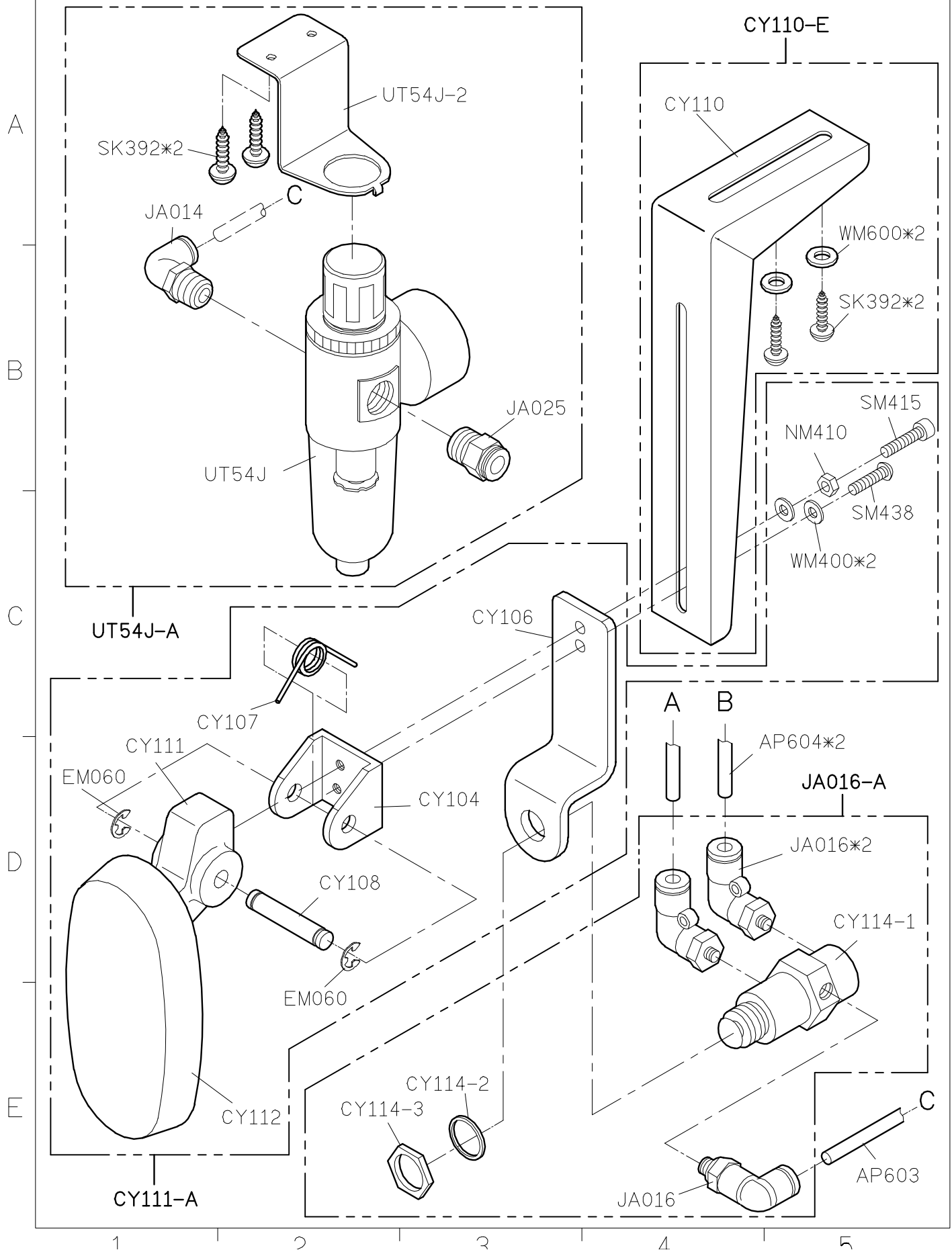
1/2

Date

2012/10/31



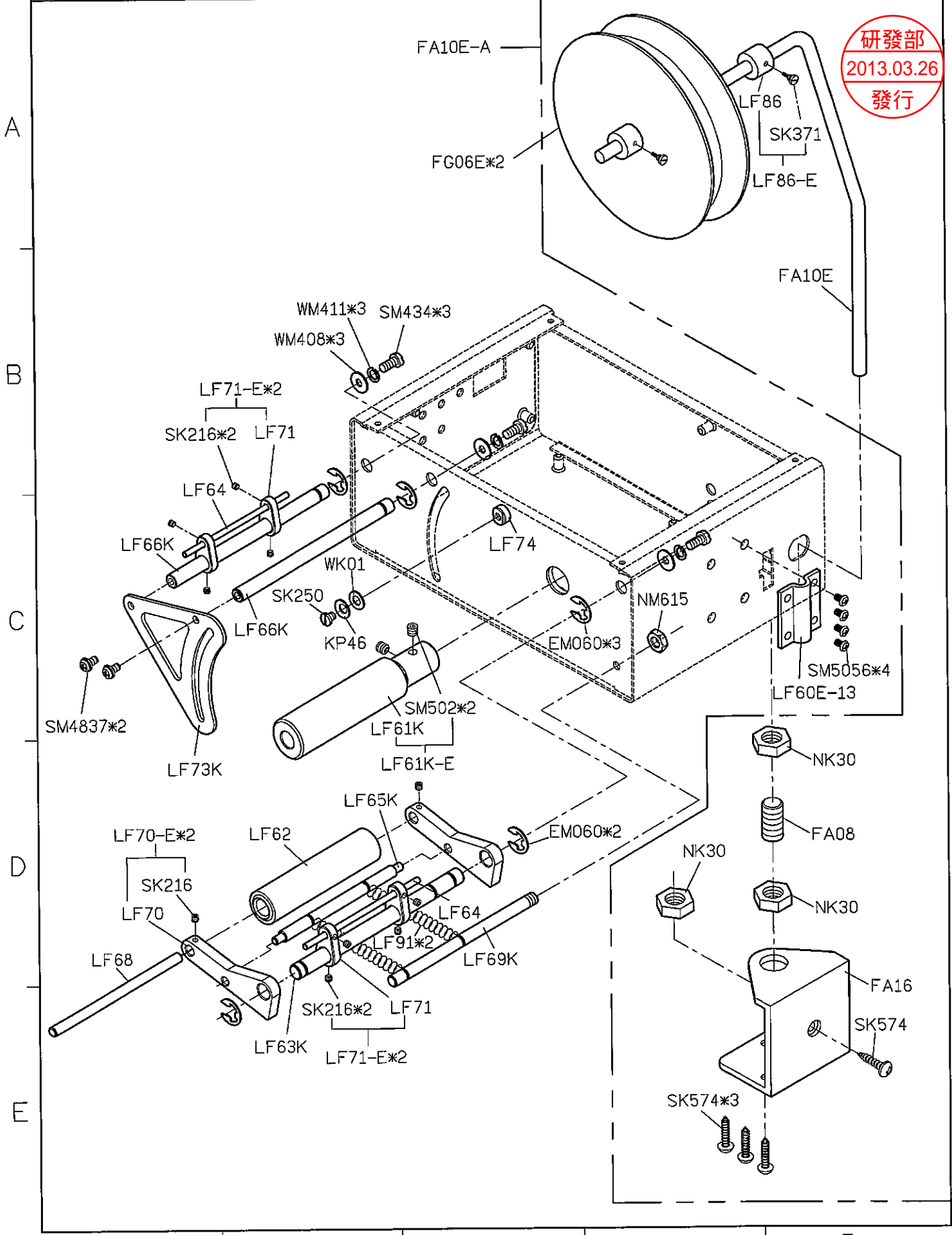
<b>SIRUBA</b> PARTS LIST	Series	Parts Group	Subclass / Remark	Page
	<b>F007K/F007KD</b>	<b>FAC-K</b>		2/2
	<b>F858K/F858KD</b>			Date
	2012/10/31			





SIRUBA PARTS LIST	Series	Parts Group	Subclass / Remark	Page
	F007K/F007KD F858K/F858KD	FAK		1/3
			Date	
				2013/03/25

研發部  
 2013.03.26  
 發行



SIRUBA PARTS LIST	Series	Parts Group	Subclass / Remark	Page
	F007K/F007KD	FAK		2/3
	F858K/F858KD			Date
				2013/03/25

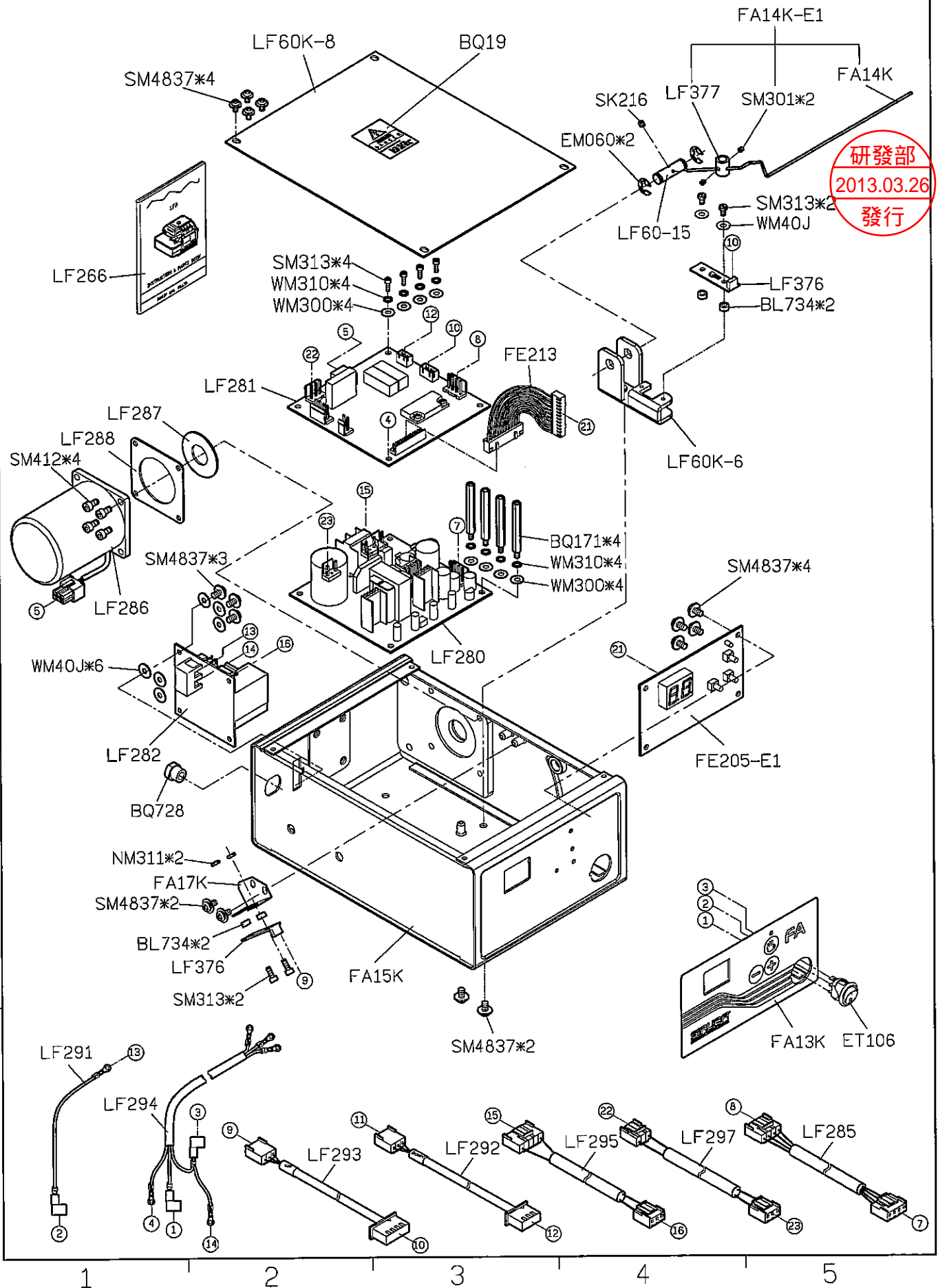
A

B

C

D

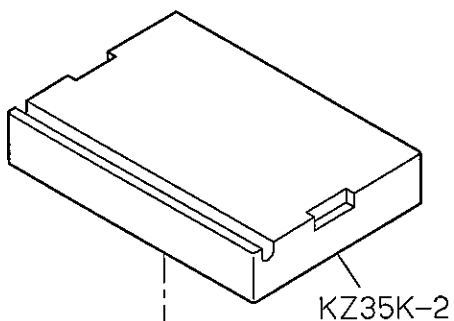
E



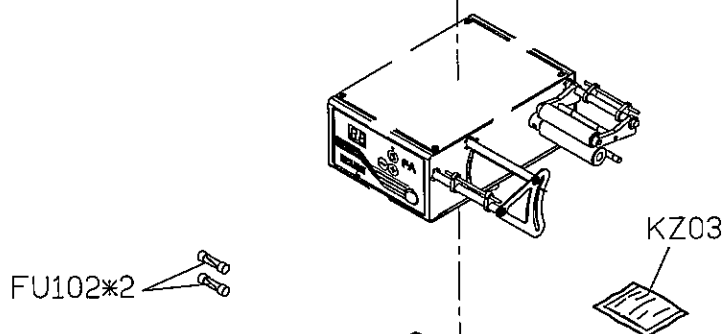
SIRUBA PARTS LIST	Series	Parts Group	Subclass / Remark	Page
	F007K/F007KD	FAK		3/3
	F858K/F858KD			Date
				2013/03/25

研發部  
 2013.03.26  
 發行

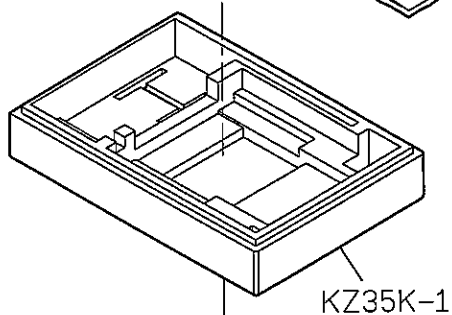
A



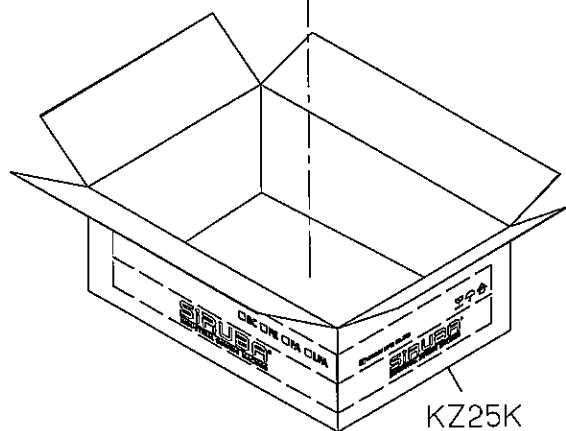
B



C



D



E

1

2

3

4

5

<b>SIRUBA</b> PARTS LIST	Series	Parts Group	Subclass / Remark	Page
	F007K/F007KD	<b>FBP-K</b>		1/1
	F858K/F858KD			Date
				2013/08/21

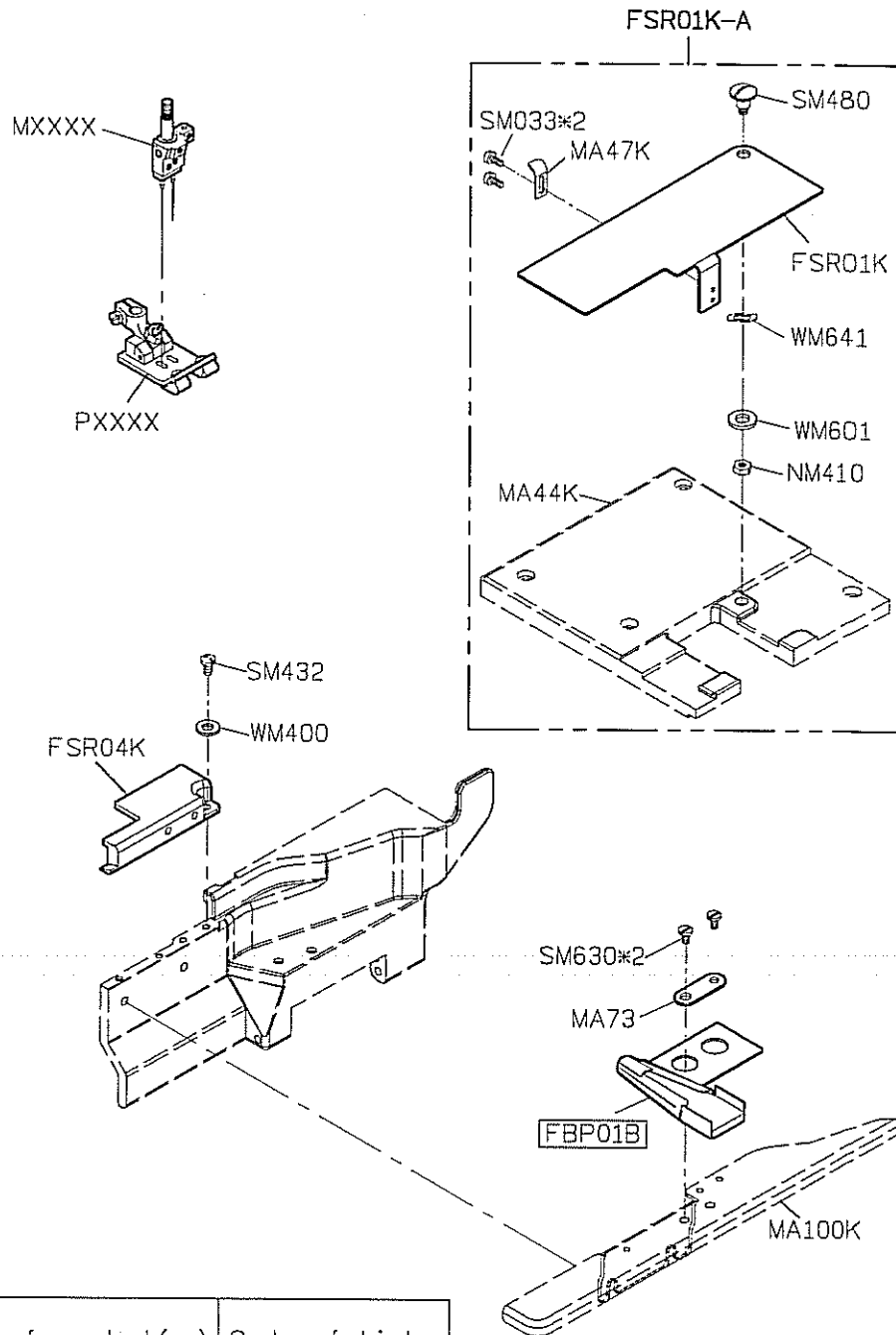
A

B

C

D

E



Stitch length	Size of product (mm)	Code of binder
5.6	9	FBP01A
5.6	10	FBP01B
6.4	12	FBP01C

1

2

3

4

5

**SIRUBA**

PARTS LIST

Series

F007K/F007KD  
F858K/F858KD

Parts Group

**FDC-K**

Subclass / Remark

Page

1/1

Date

2012/10/31

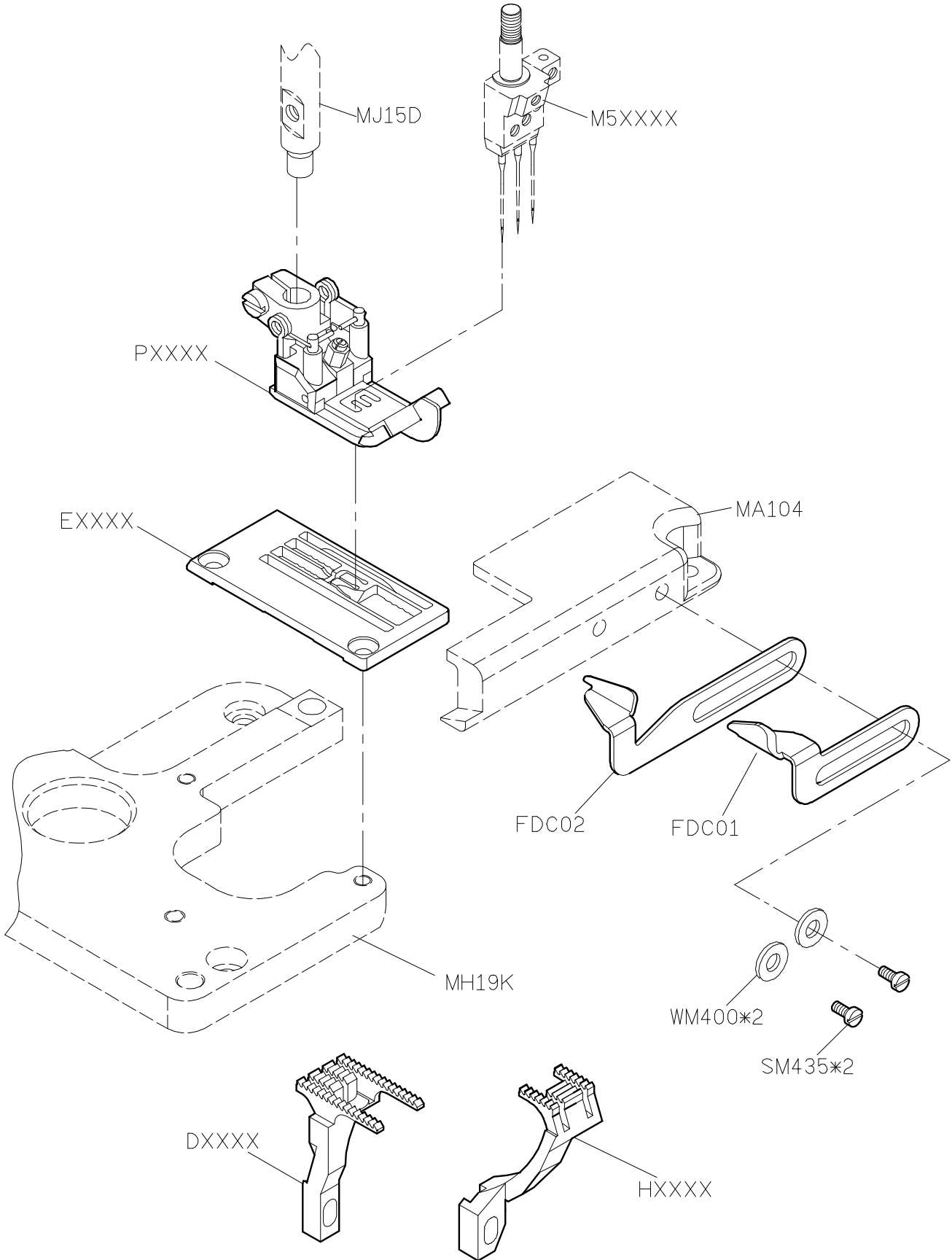
A

B

C

D

E



1

2

3

4

5

**SIRUBA**

PARTS LIST

Series

F007K/F007KD  
F858K/F858KD

Parts Group

**FDE-K**

Subclass / Remark

Page

1/1

Date

2012/10/31

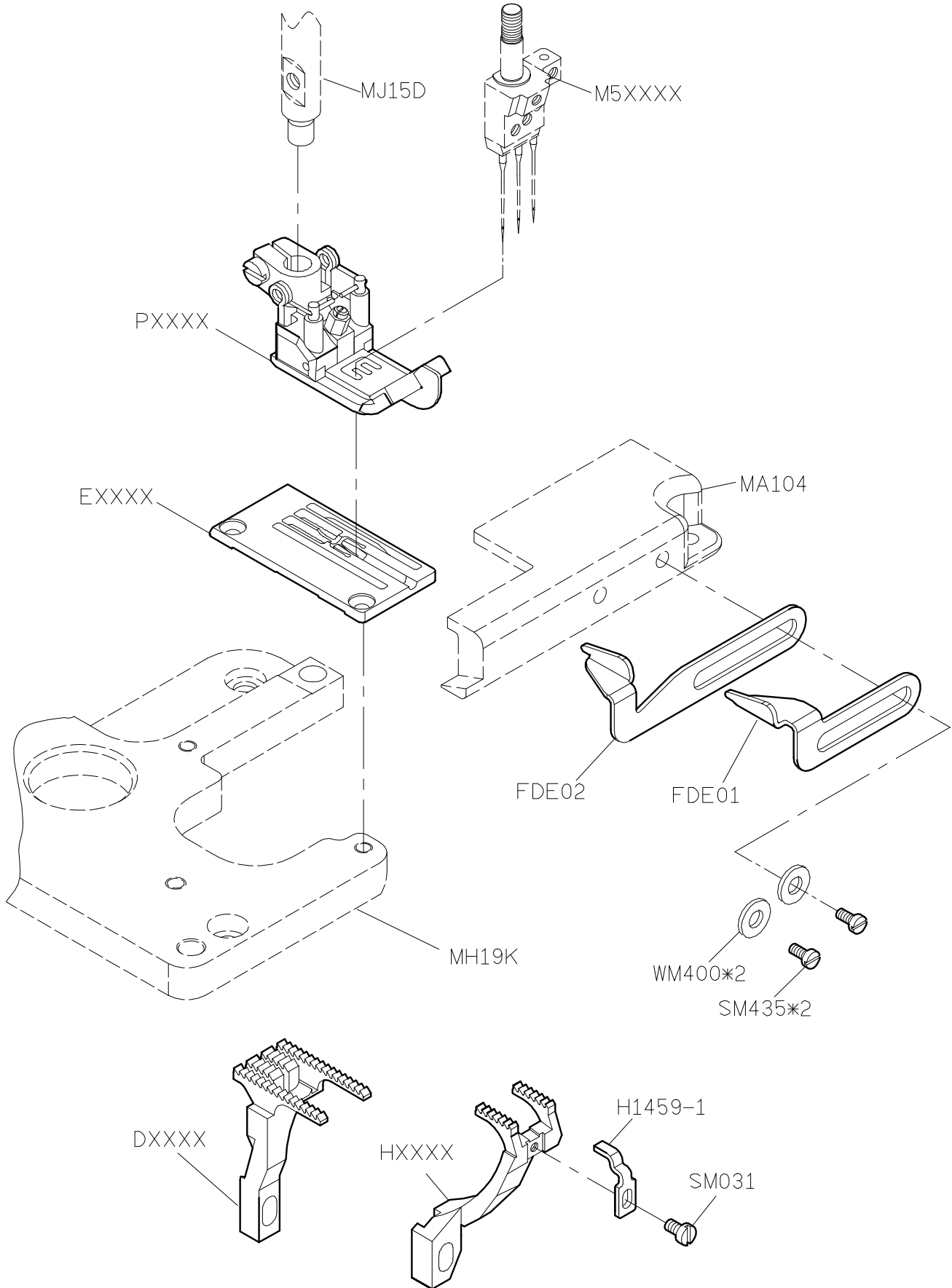
A

B

C

D

E



1

2

3

4

5

**SIRUBA**

PARTS LIST

**F007K/F007KD  
F858K/F858KD**

Parts Group  
**FEC-K**

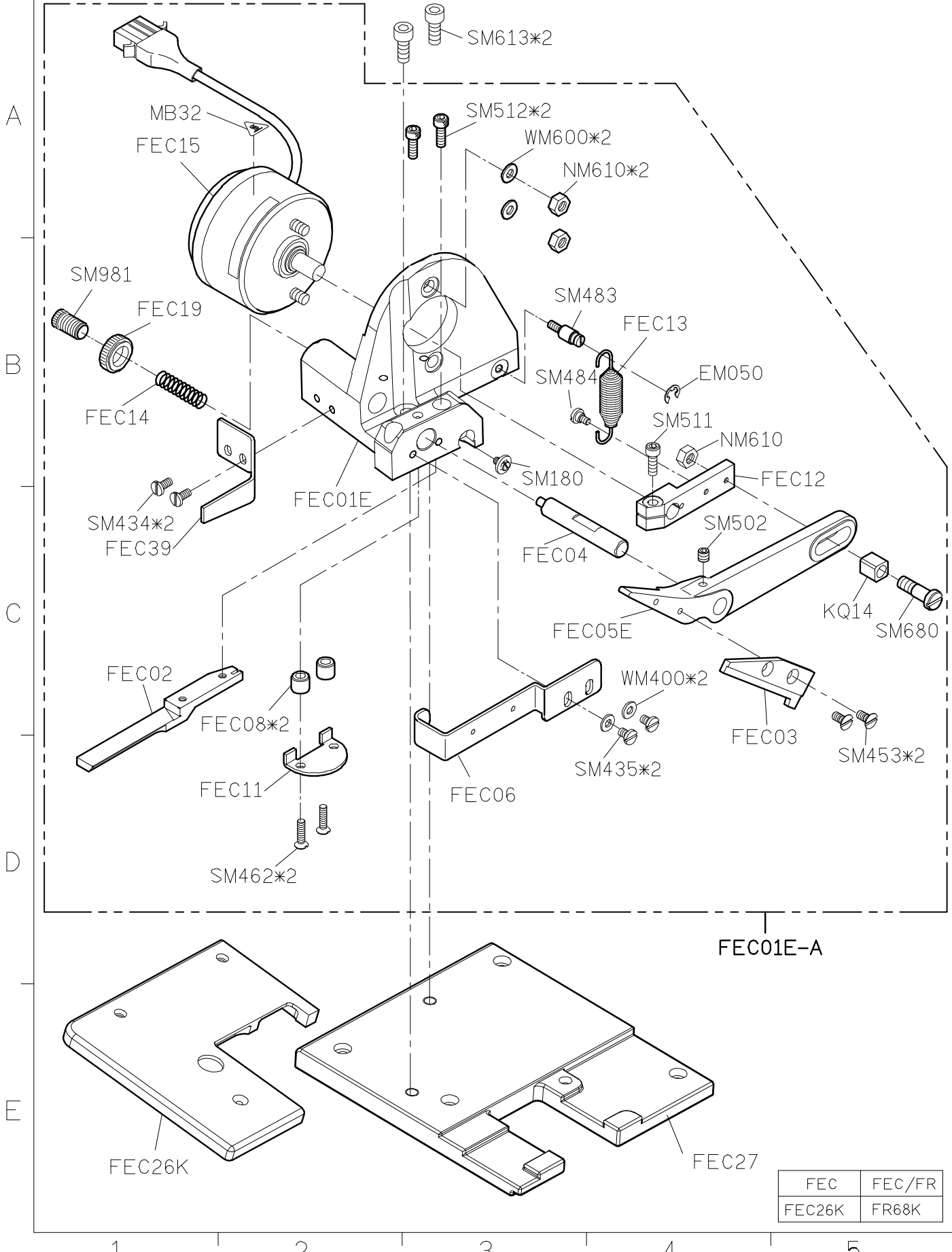
Subclass / Remark

Page

1/4

Date

2012/10/31



**SIRUBA**

PARTS LIST

F007K/F007KD  
F858K/F858KD

Parts Group  
**FEC-K**

Subclass / Remark

Page

2/4

Date

2012/10/31

FE202-A

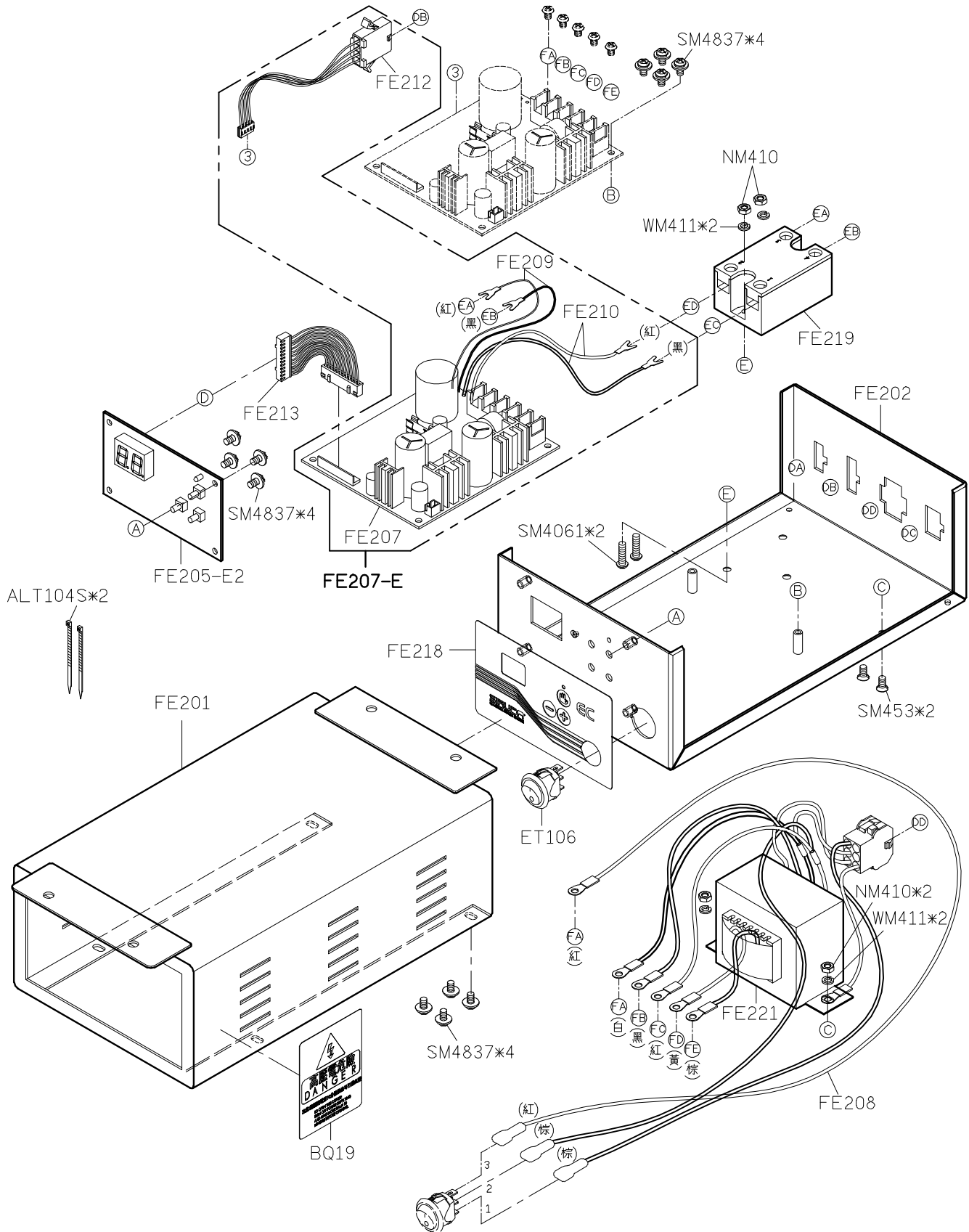
A

B

C

D

E



1

2

3

4

5



**SIRUBA**

PARTS LIST

F007K/F007KD  
F858K/F858KD

Parts Group  
**FEC-K**

Subclass / Remark

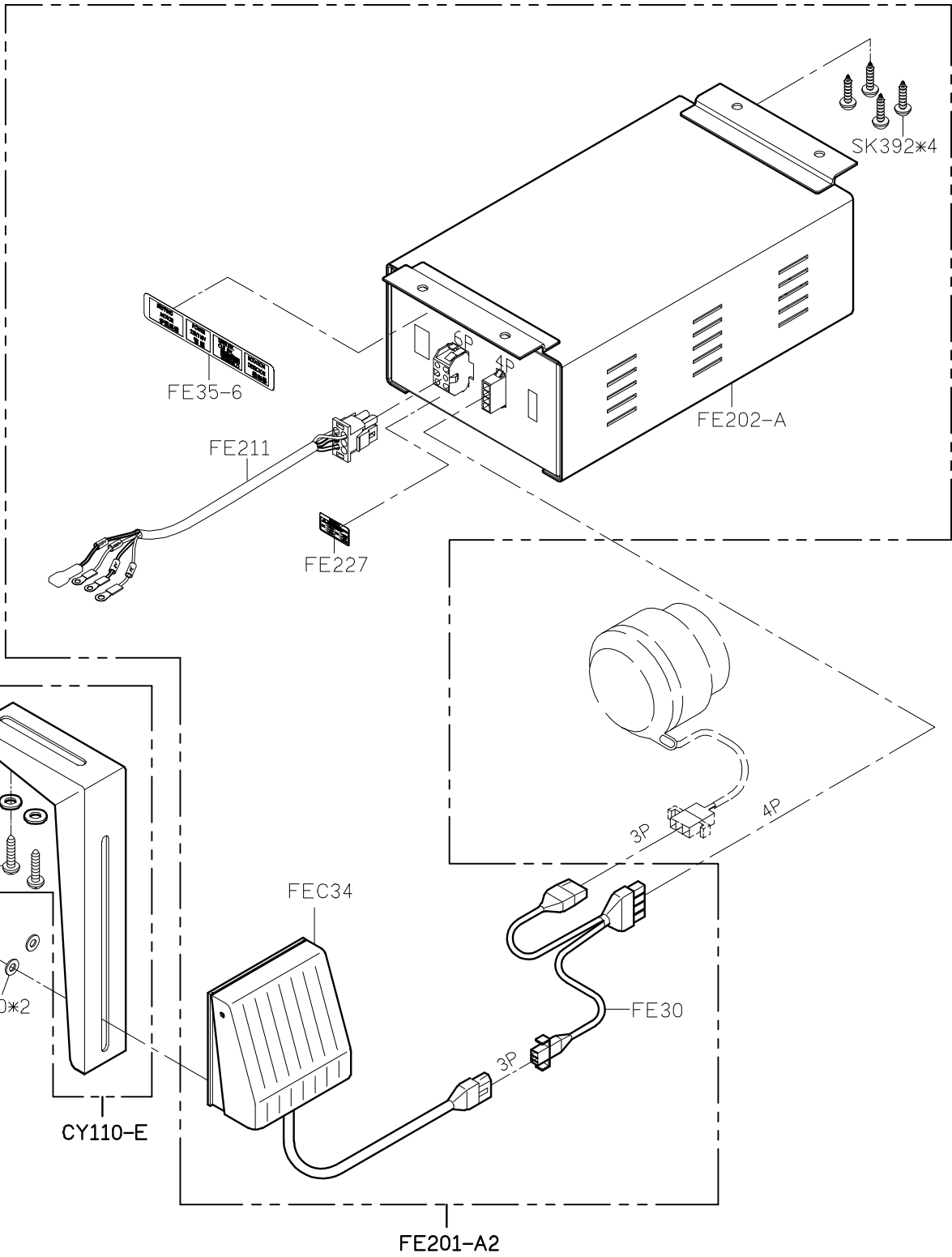
Page

3/4

Date

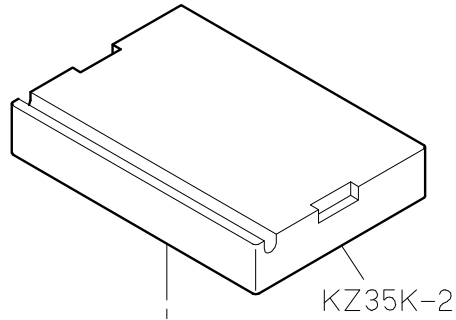
2012/10/31

A  
B  
C  
D  
E

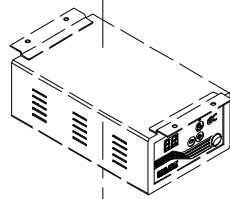


<b>SIRUBA</b> PARTS LIST	F007K/F007KD F858K/F858KD	Parts Group	Subclass / Remark	Page
		<b>FEC-K</b>		4/4
	Date			2012/10/31

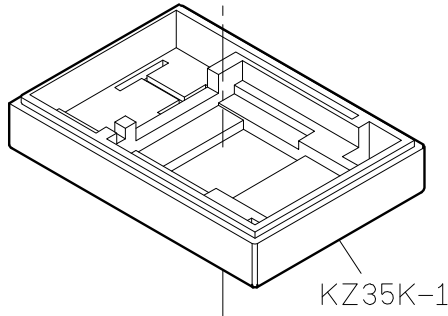
A



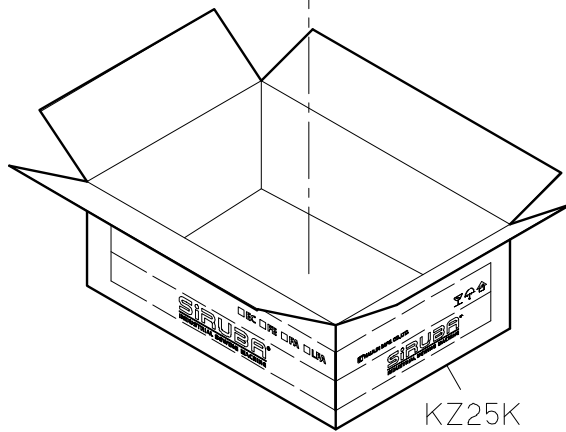
B



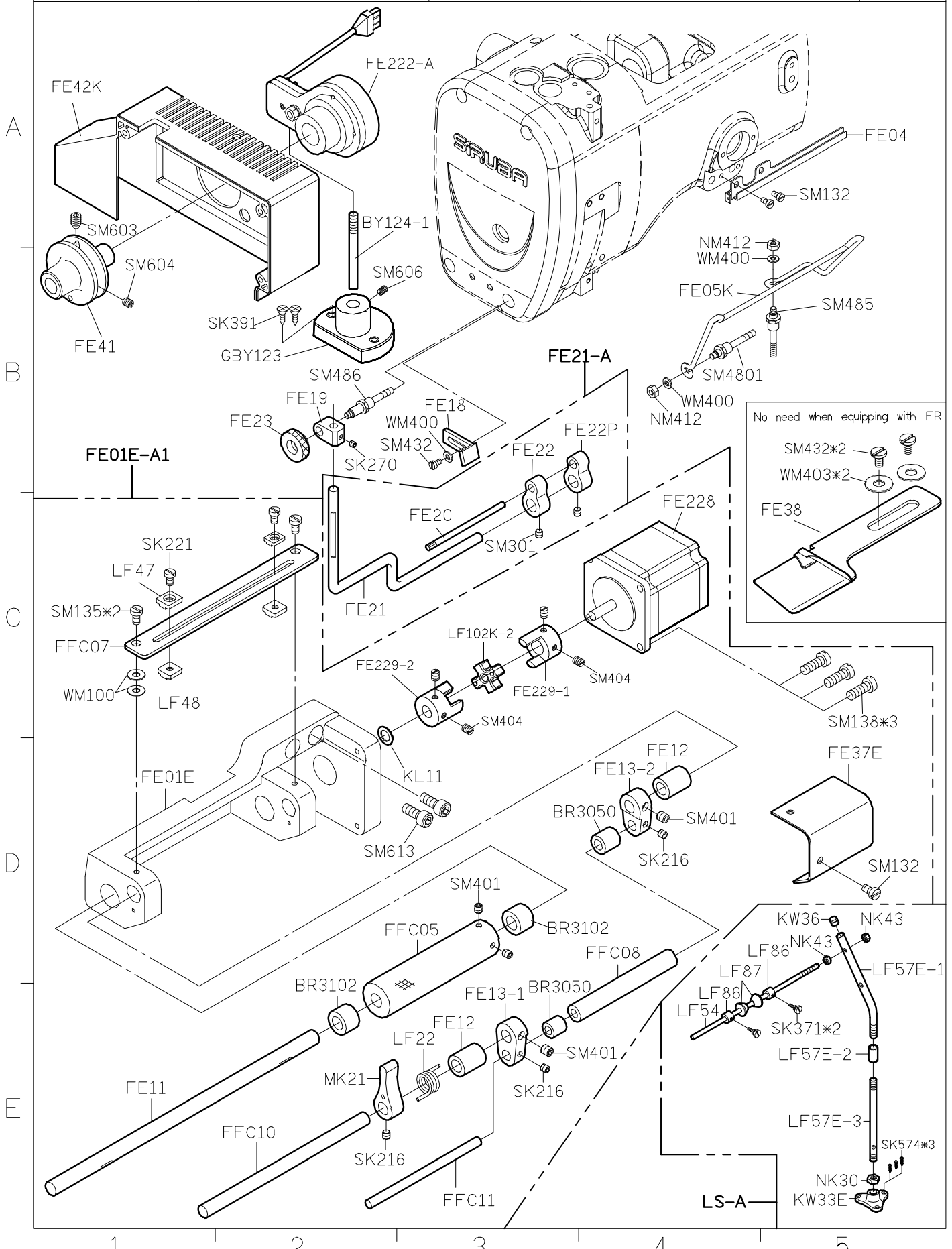
C



D



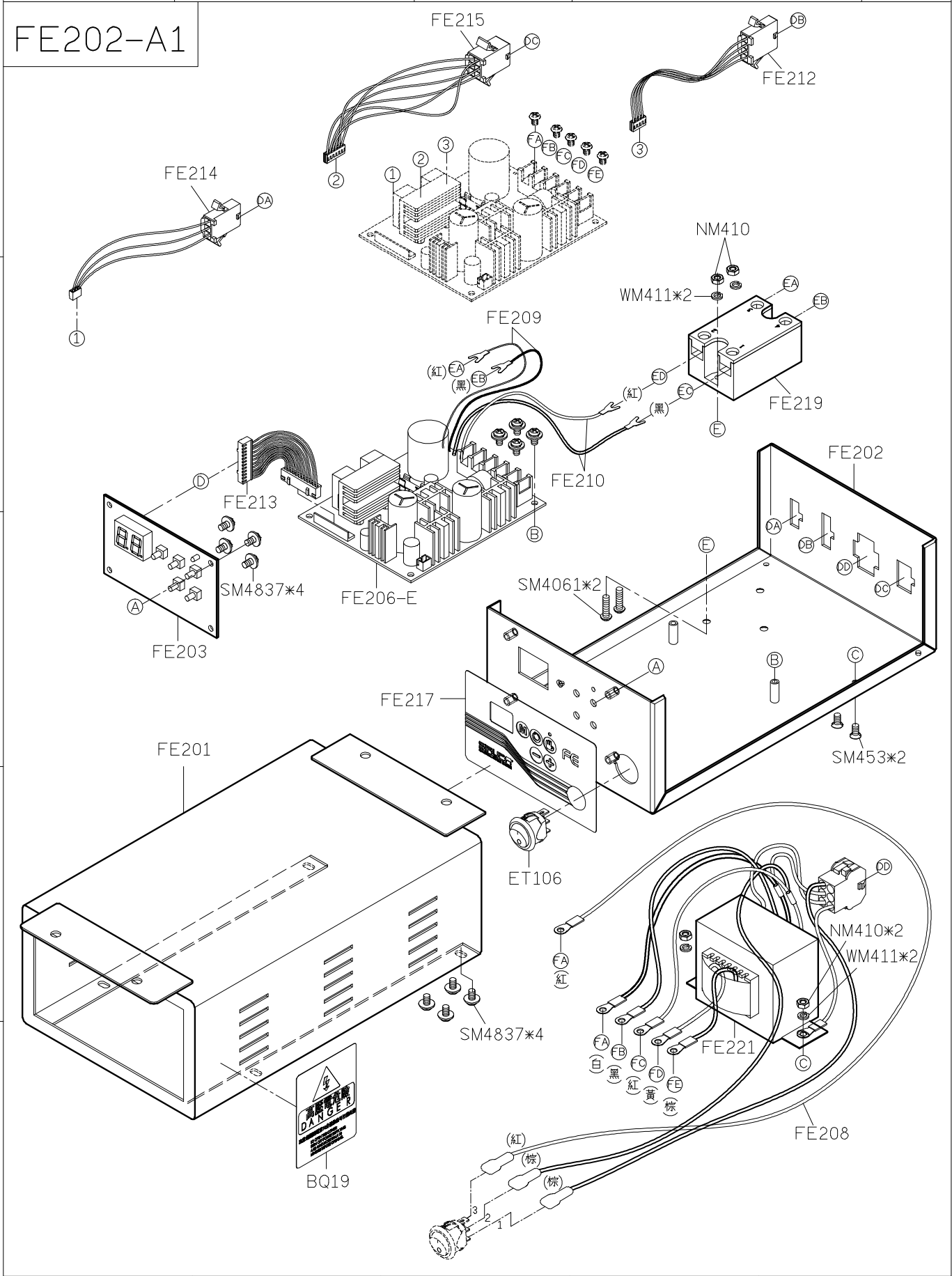
E



<b>SIRUBA</b> <b>PARTS LIST</b>	<b>F007K/F007KD</b> <b>F858K/F858KD</b>	Parts Group	Subclass / Remark	Page
		<b>FE-K</b>	<b>For F007K/F858K</b>	2/3
				Date
				2012/10/31

FE202-A1

A  
B  
C  
D  
E



1                      2                      3                      4                      5

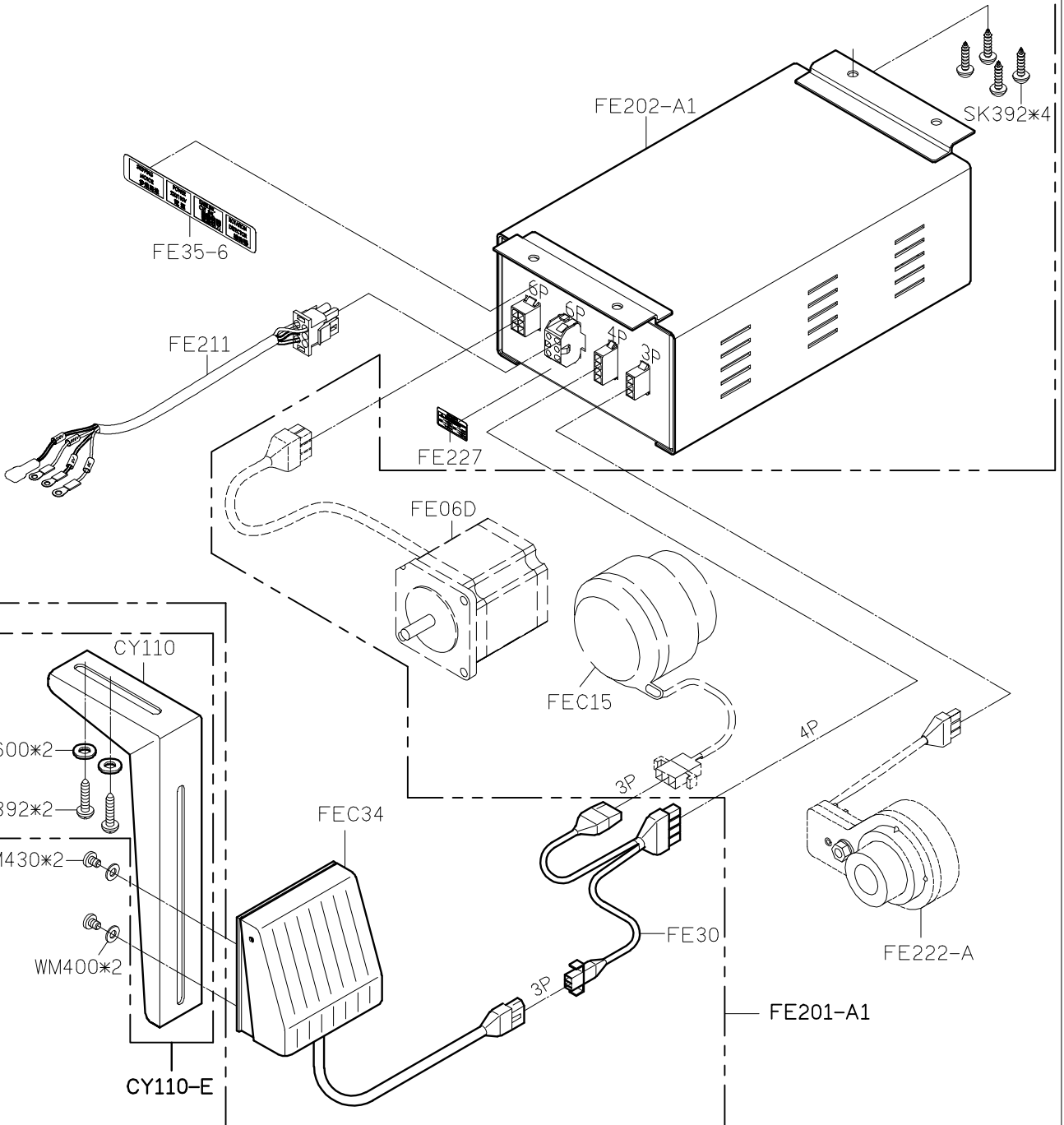
A

B

C

D

E



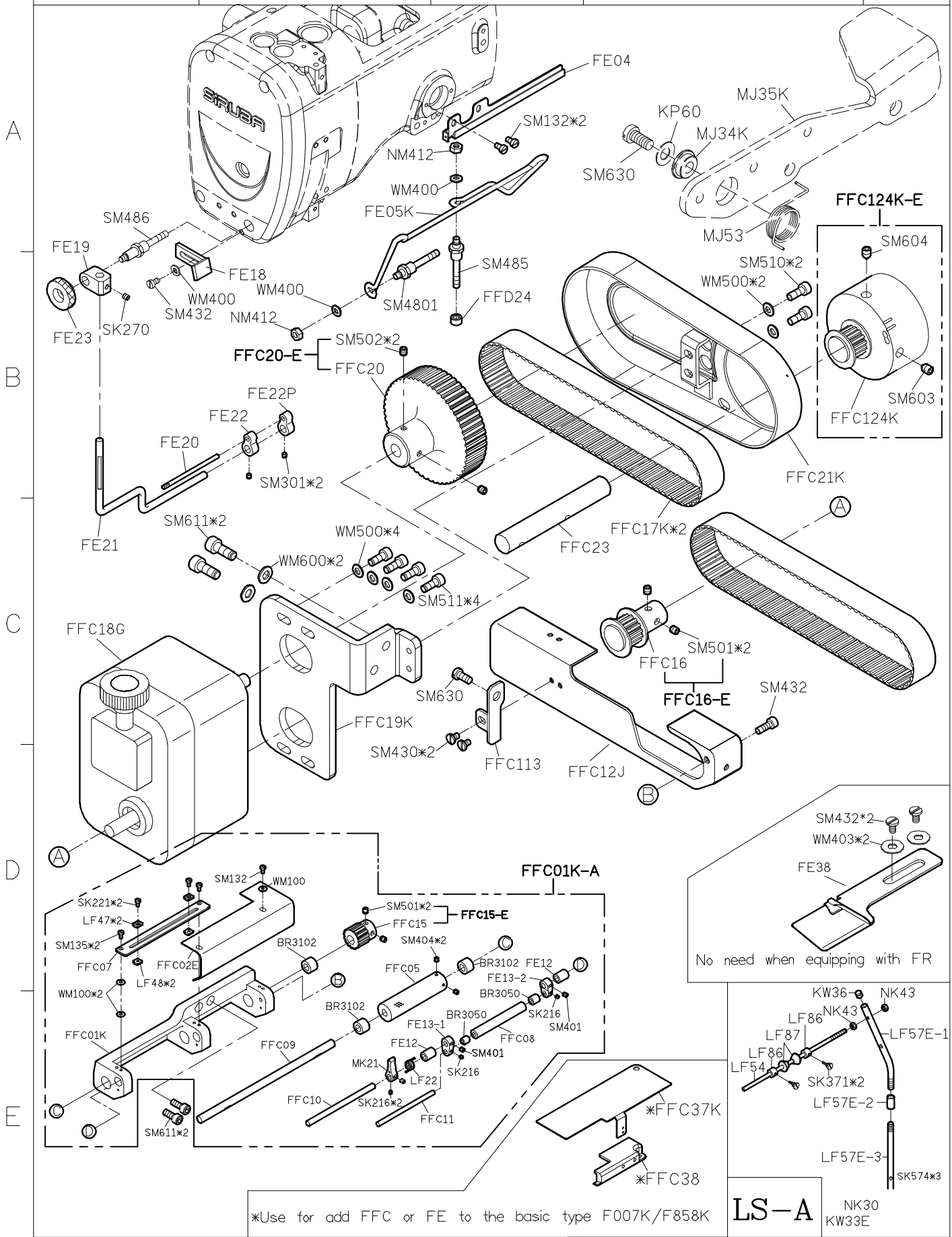
**SIRUBA**  
PARTS LIST

**F007K/F007KD**  
**F858K/F858KD**

Parts Group  
**FFC-K**

Subclass / Remark  
For F007K/F858K

Page  
1/1  
Date  
2012/10/31



\*Use for add FFC or FE to the basic type F007K/F858K

**LS-A**

NK30  
KW33E

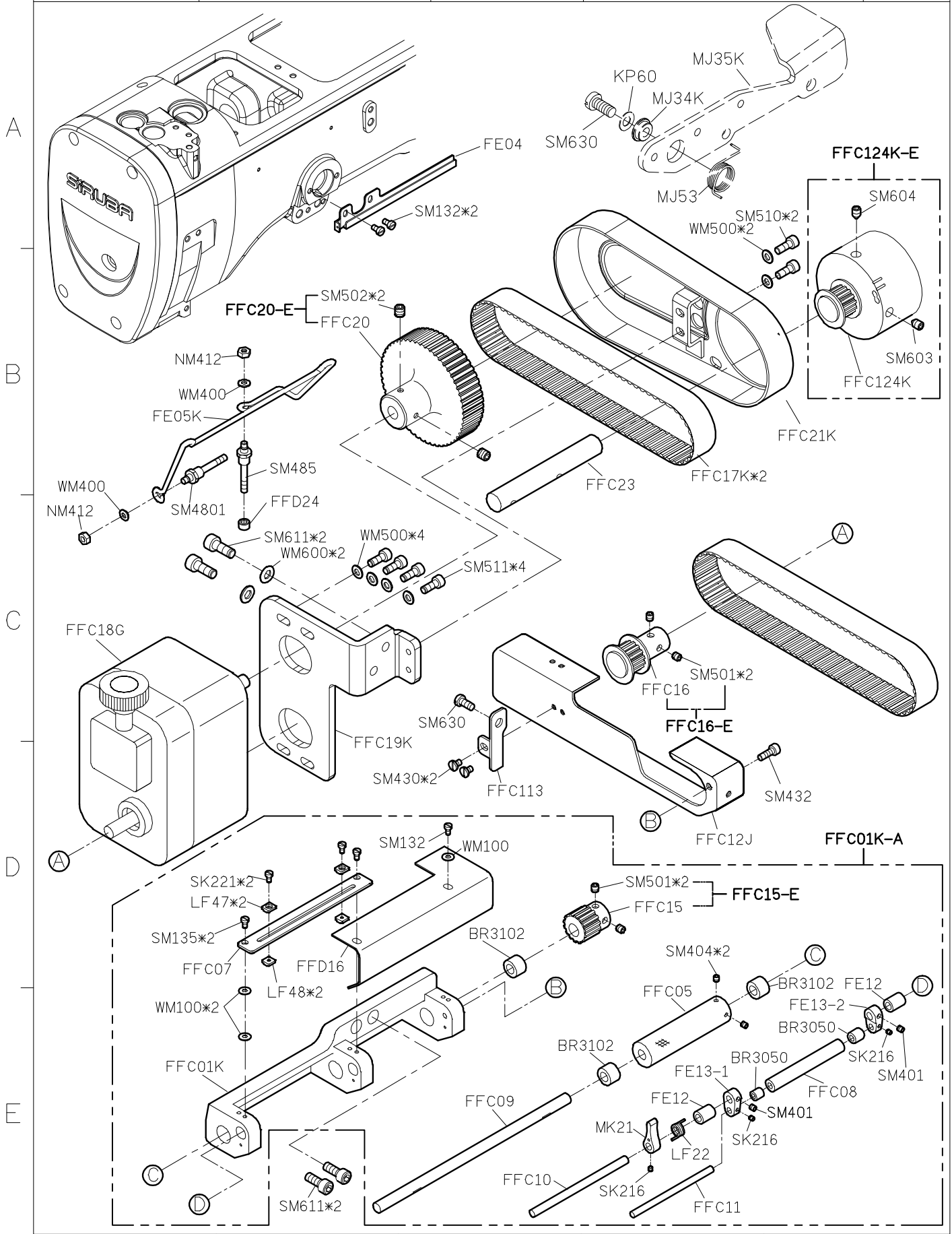
1

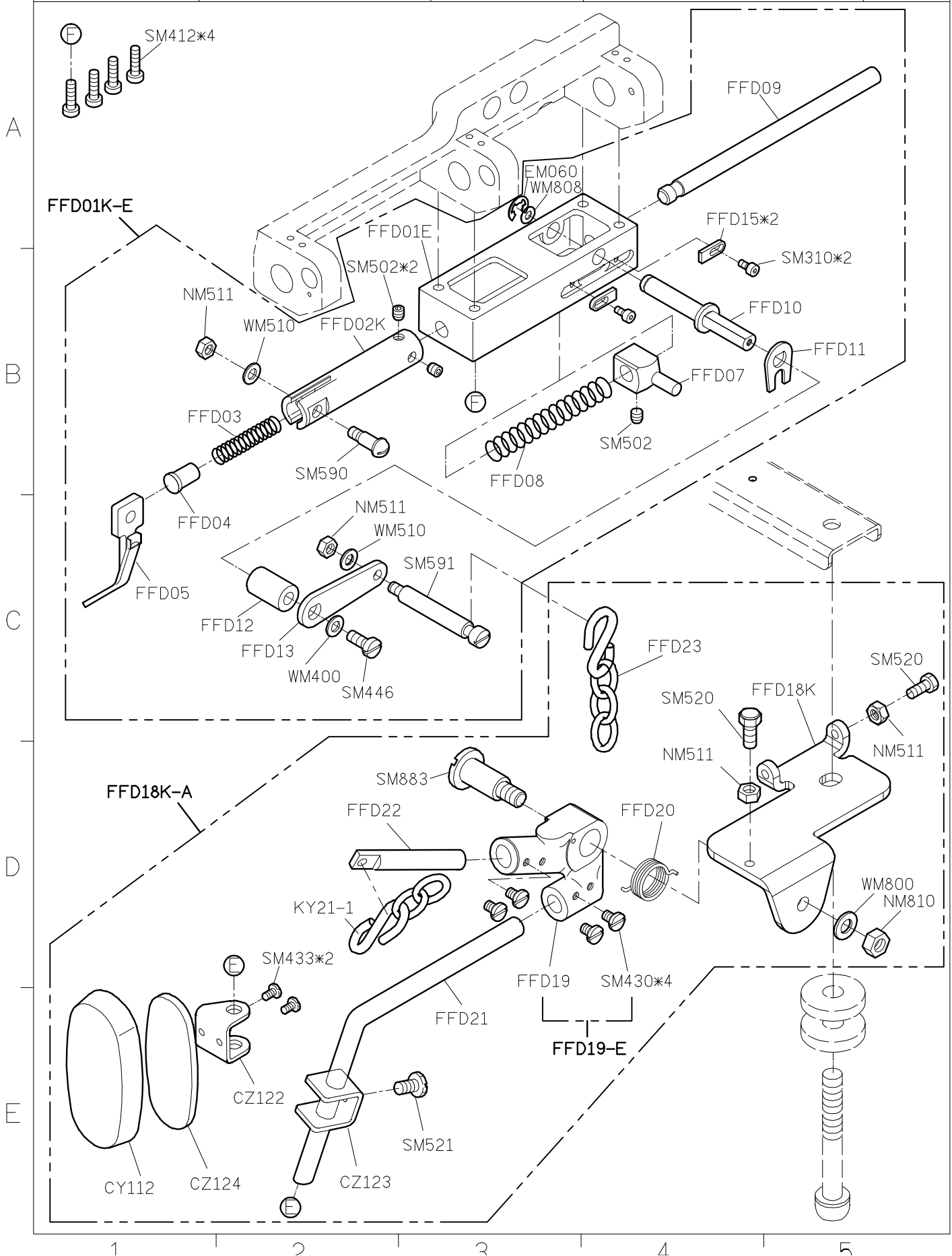
2

3

4

5







**SIRUBA**

PARTS LIST

F007K/F007KD  
F858K/F858KD

Parts Group  
**FFD-K**

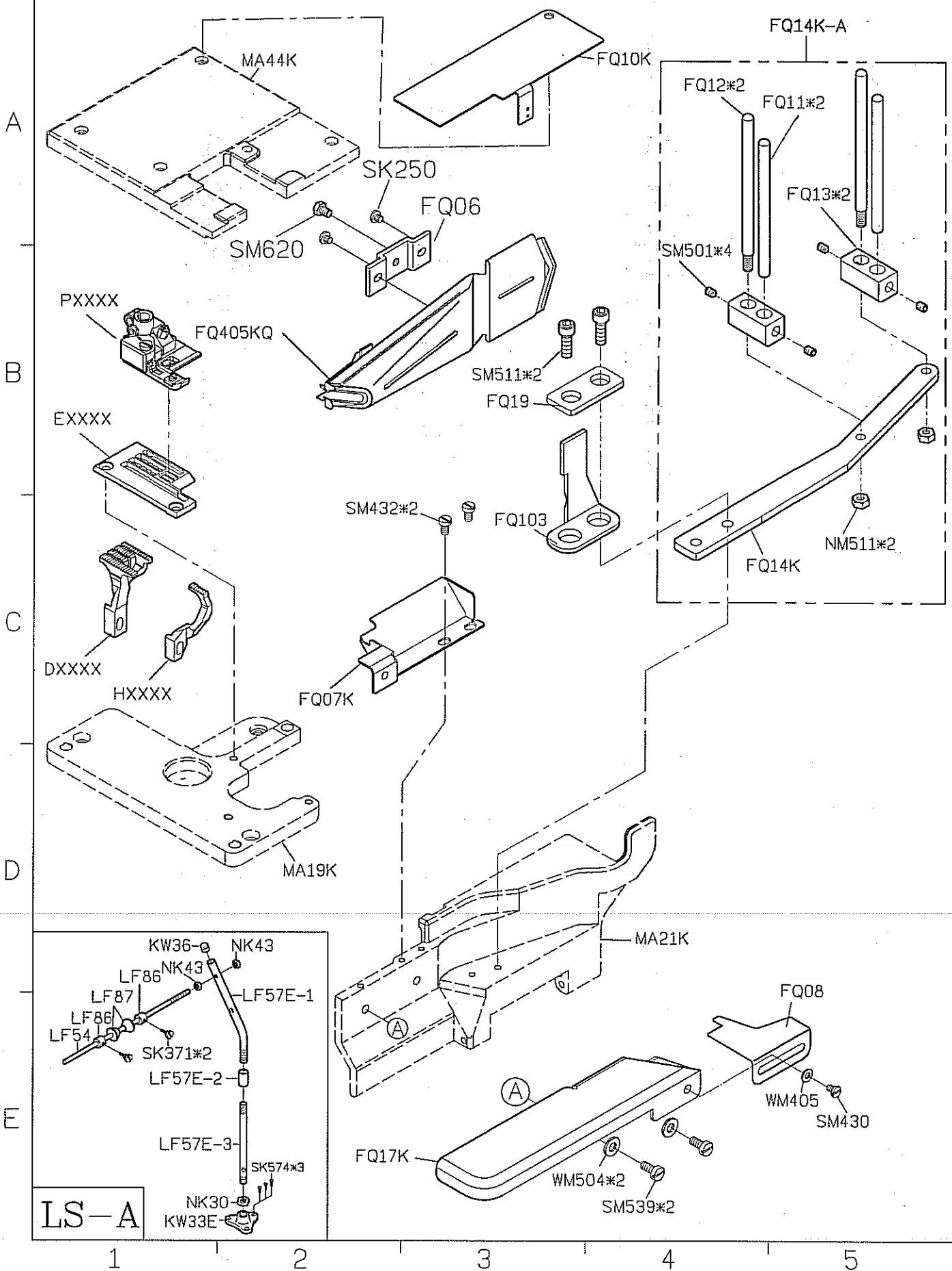
Subclass / Remark  
For F007K/F858K

Page

3/3

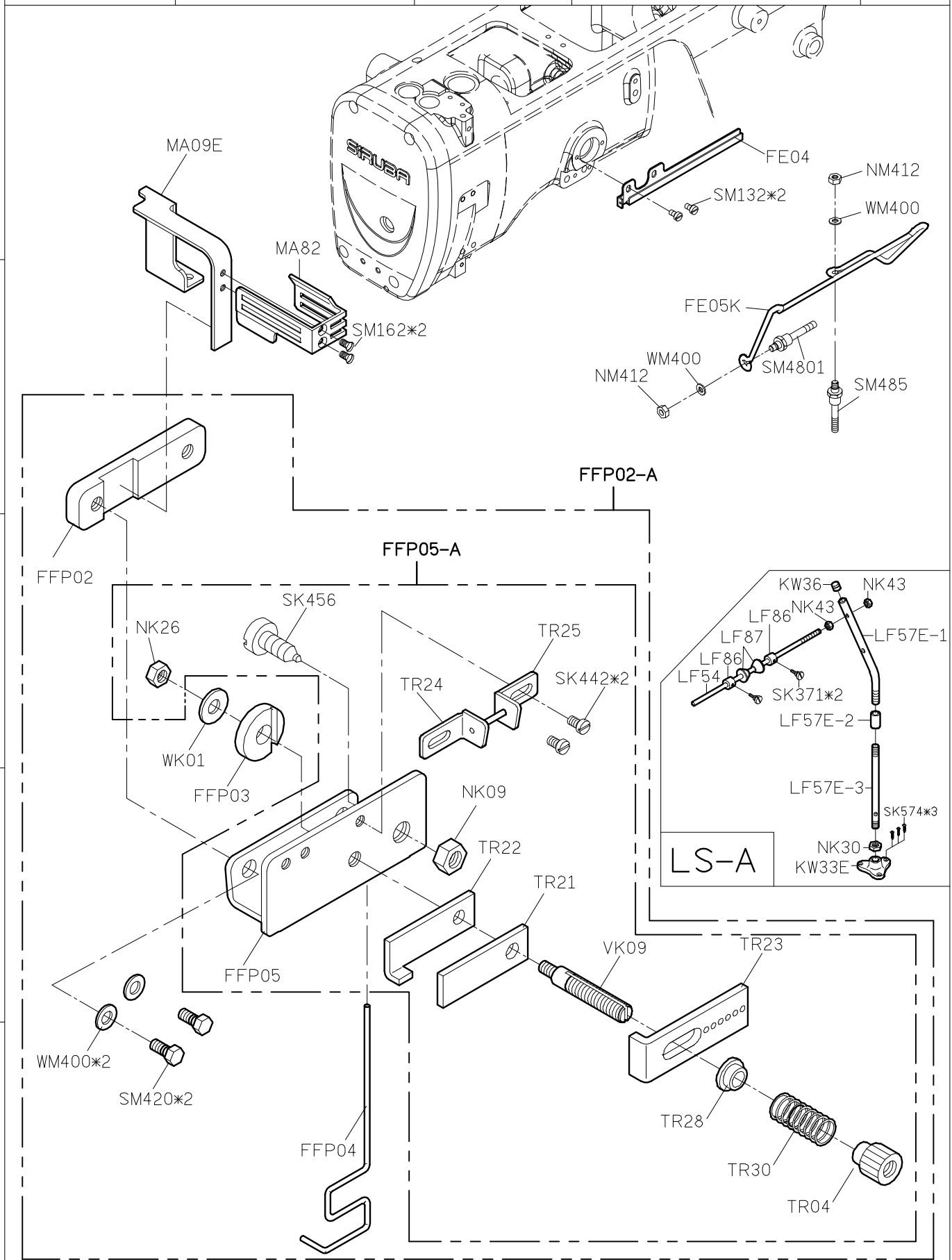
Date

2013/01/18



A  
B  
C  
D  
E

1 2 3 4 5



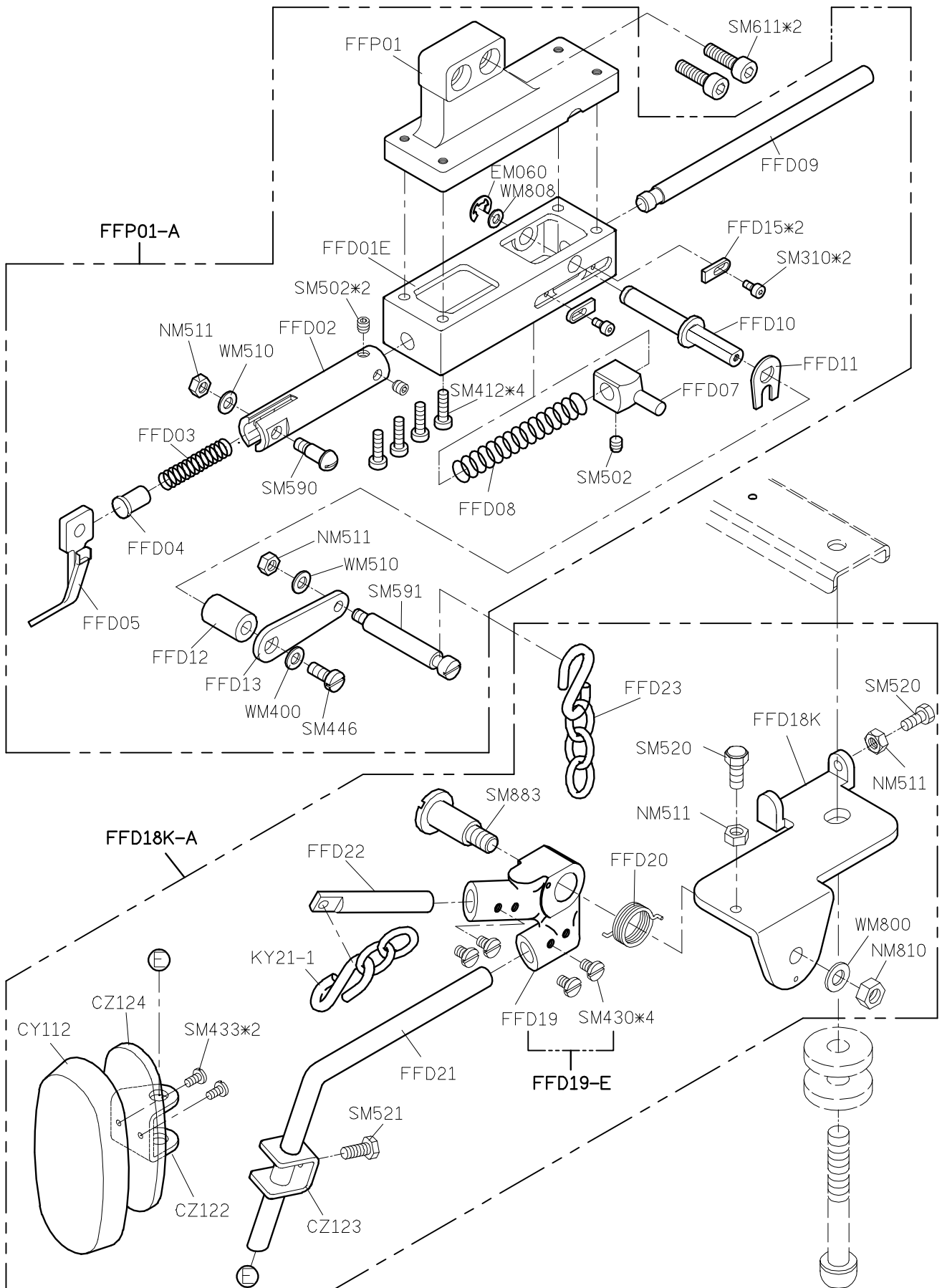
A

B

C

D

E



1

2

3

4

5

**SIRUBA**

PARTS LIST

F007K/F007KD  
F858K/F858KD

**FFP-K**

Parts Group

Subclass / Remark

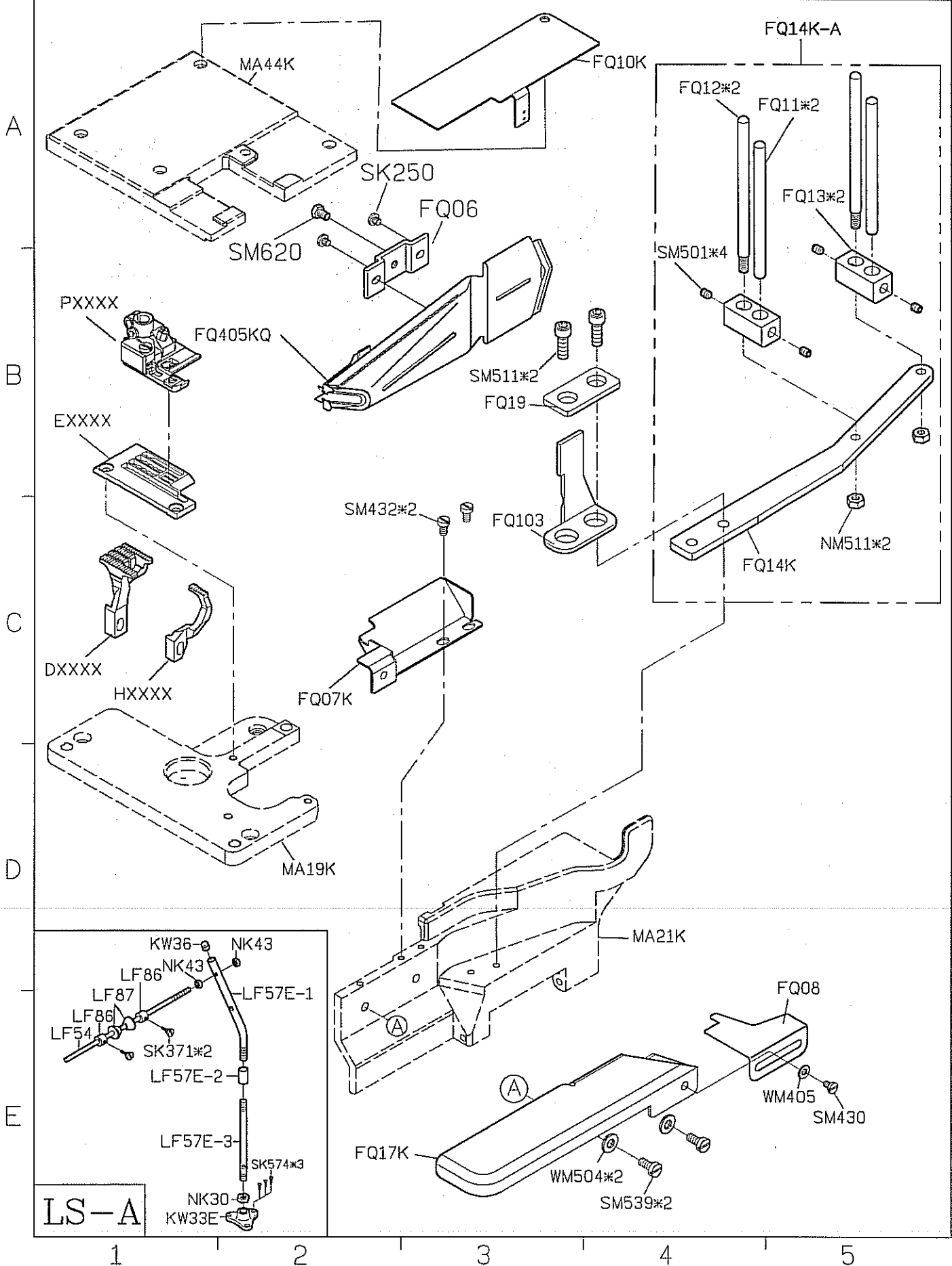
For F007K/F858K

Page

3/3

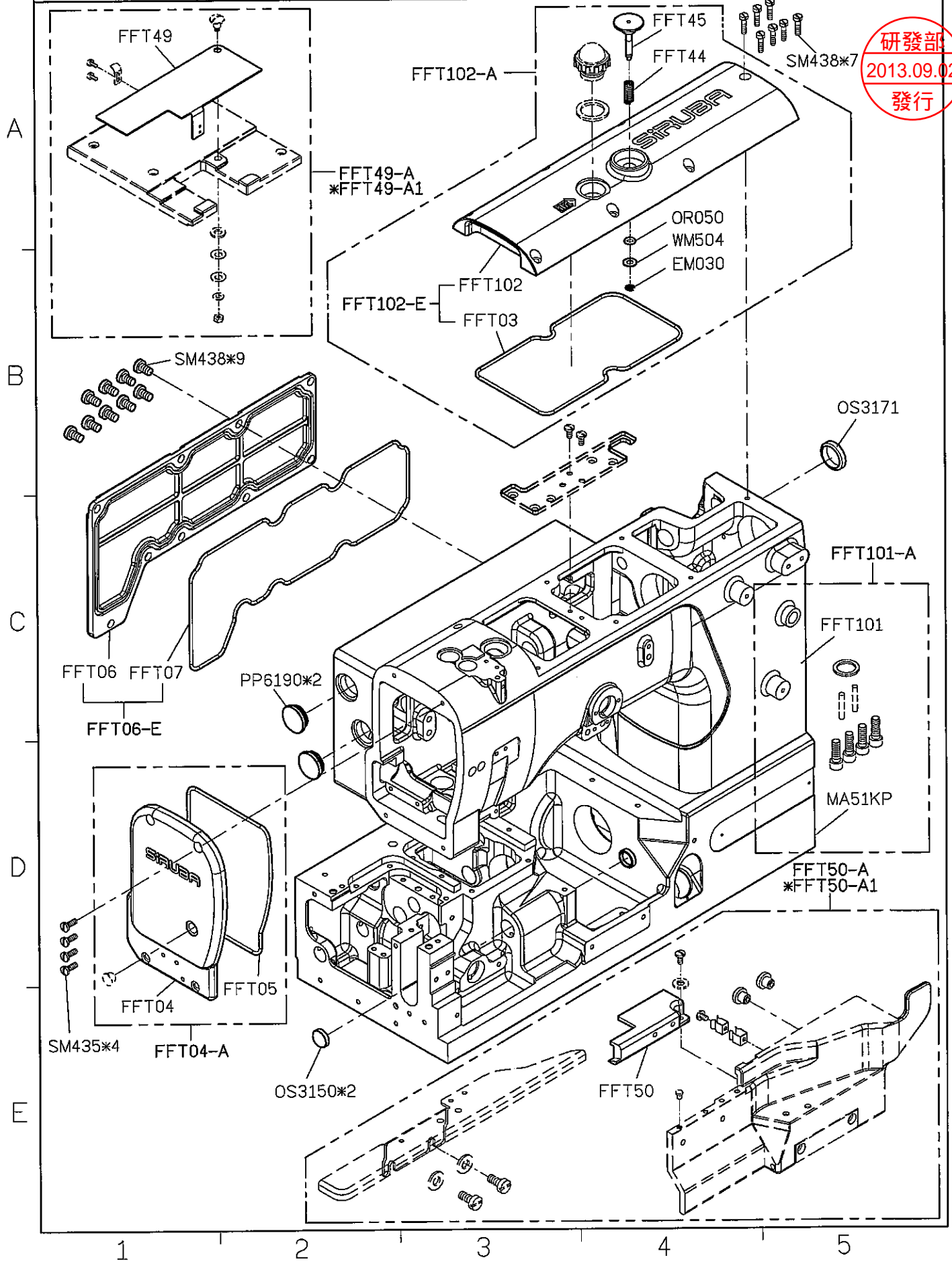
Date

2013/01/18

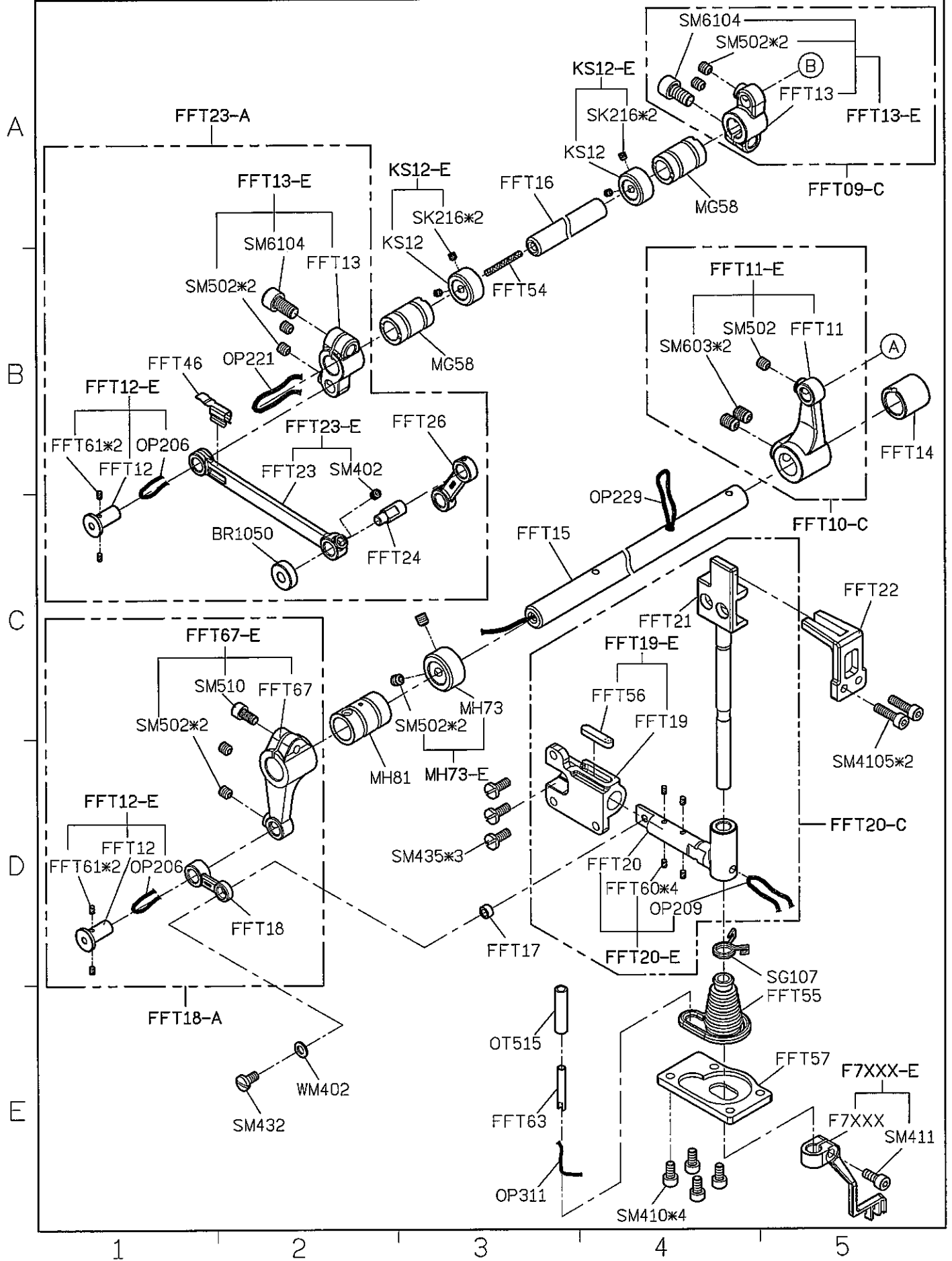


SIRUBA PARTS LIST	Series	Parts Group	Subclass / Remark	Page
	F007KD	FFT	* Use for UT	1/7
				Date
				2013/09/02

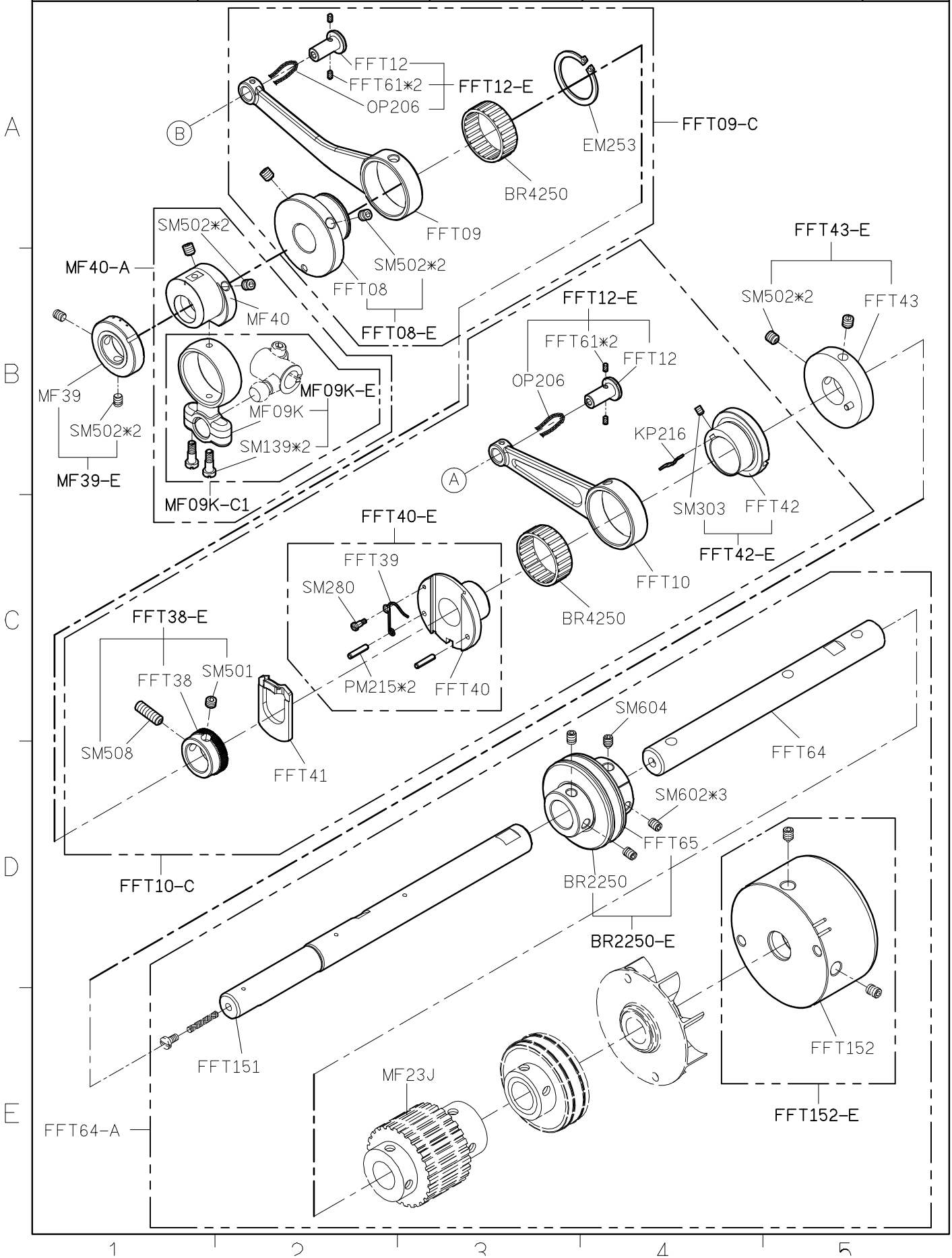
研發部  
 2013.09.02  
 發行



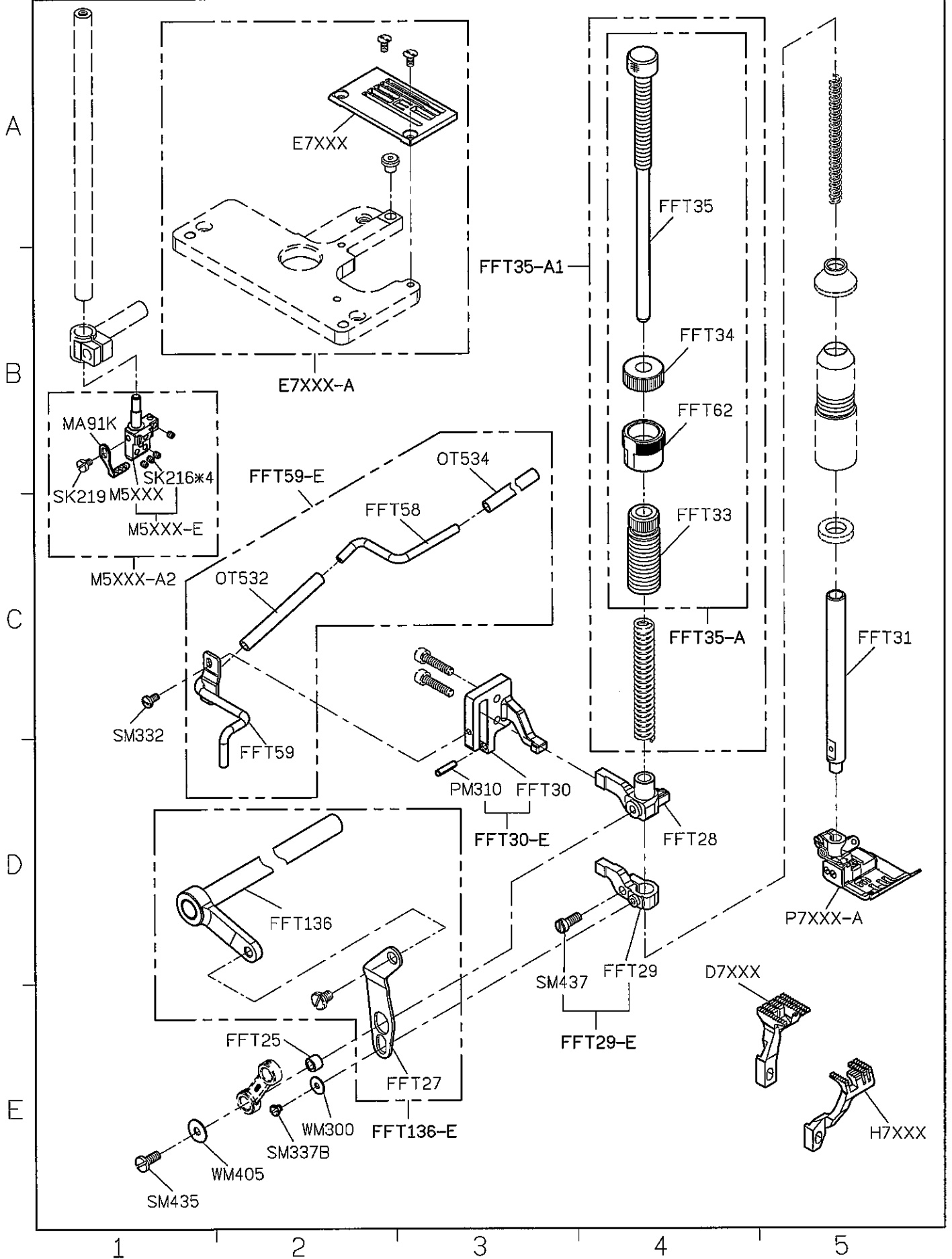
<b>SIRUBA</b>  PARTS LIST	Series	Parts Group	Subclass / Remark	Page
	F007KD	FFT		2/7
				Date
				2013/08/16



SIRUBA PARTS LIST	Series	Parts Group	Subclass / Remark	Page
	F007KD	FFT		3/7
				Date
				2012/12/25

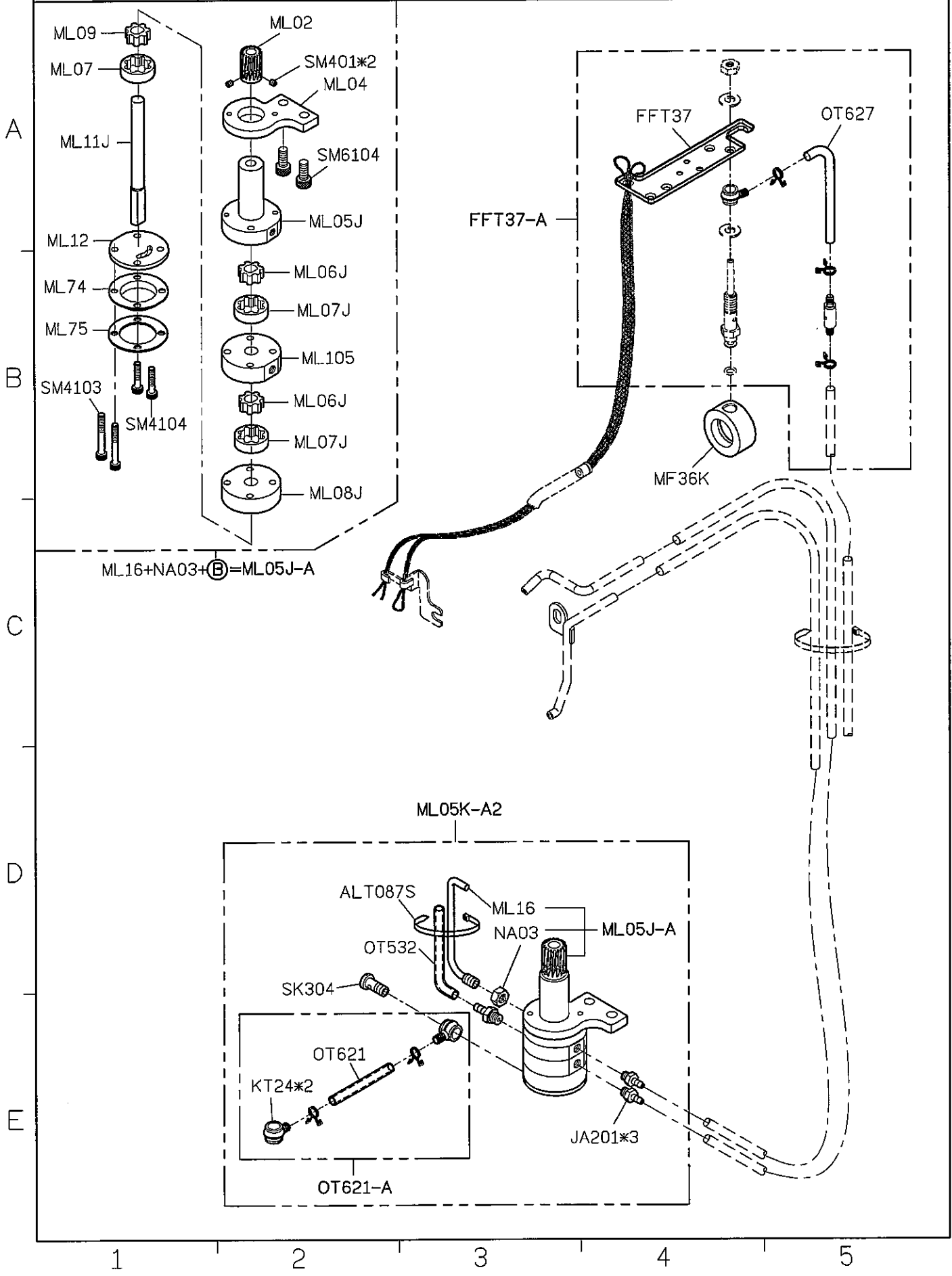


SIRUBA PARTS LIST	Series	Parts Group	Subclass / Remark	Page
	F007KD	FFT		4/7
				Date
				2013/08/14





SIRUBA PARTS LIST	Series	Parts Group	Subclass / Remark	Page
	F007KD	FFT		5/7
				Date
				2013/09/09

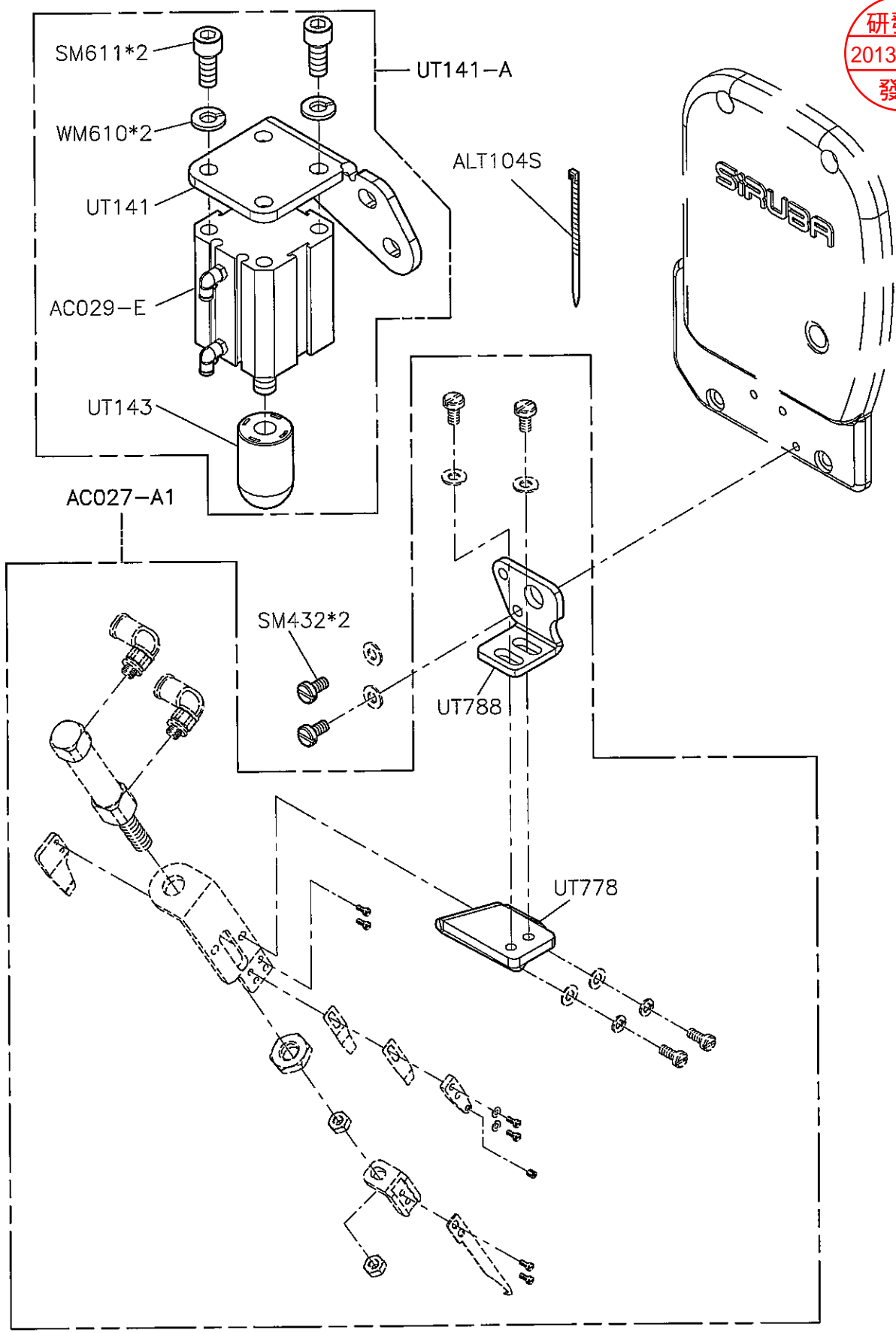


1                      2                      3                      4                      5

<b>SIRUBA</b> PARTS LIST	Series	Parts Group	Subclass / Remark	Page
	F007KD	<b>FFT</b>	Use for UT	6/7
				Date
				2013/09/04

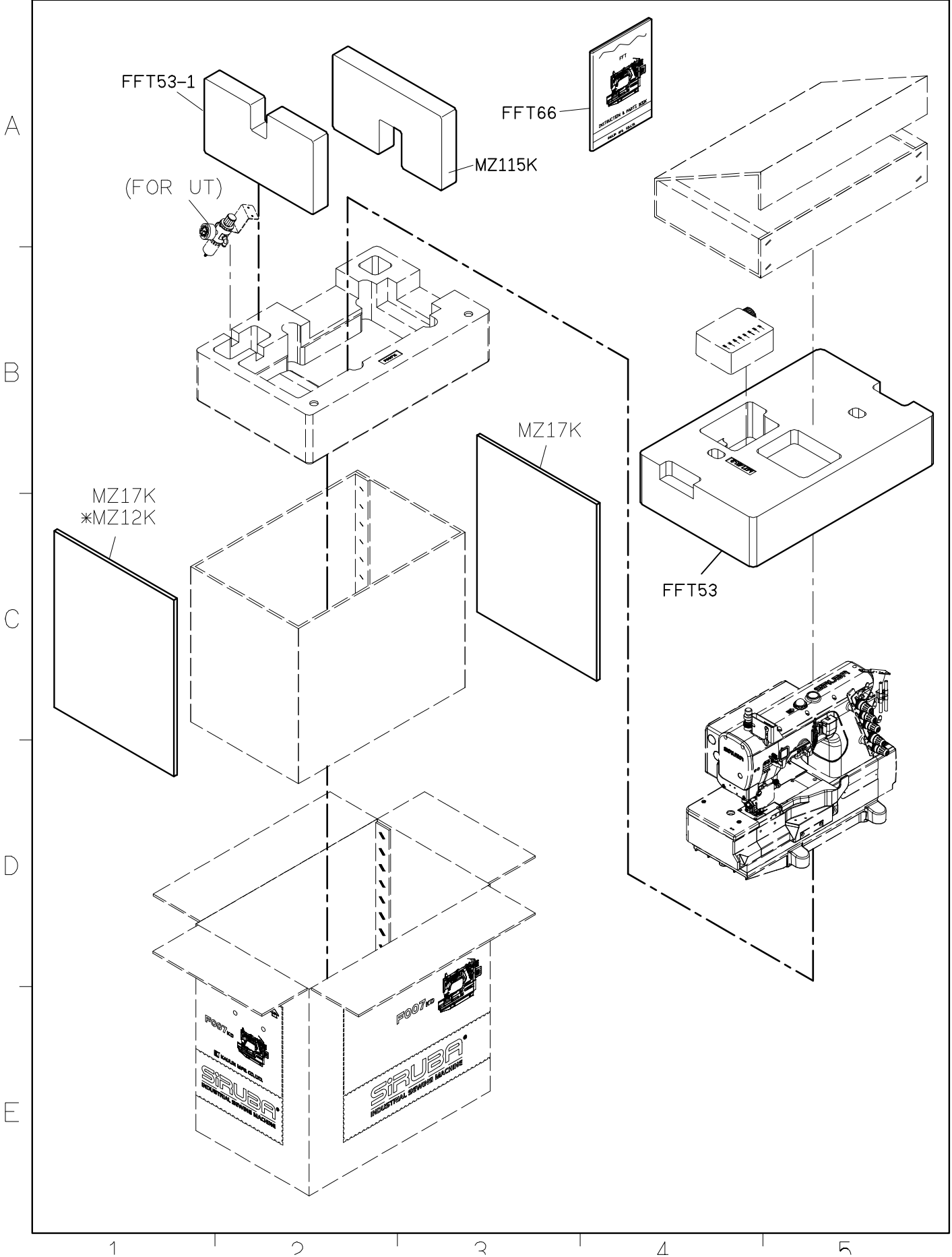
研發部  
 2013.09.09  
 發行

A  
 B  
 C  
 D  
 E



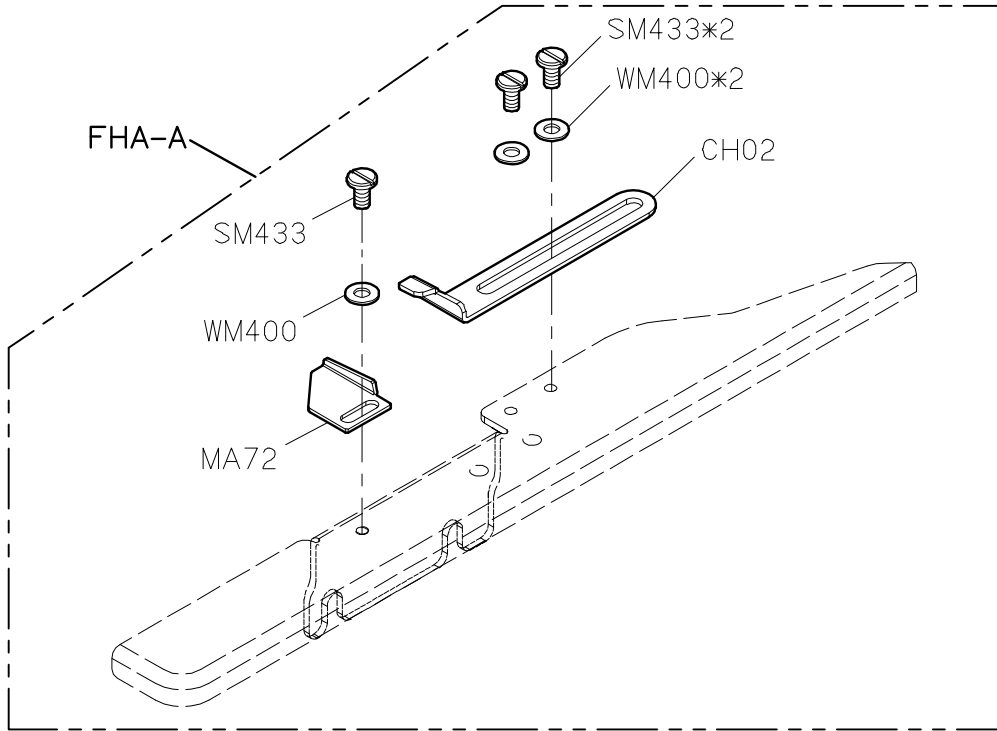
1                      2                      3                      4                      5

SIRUBA PARTS LIST	Series	Parts Group	Subclass / Remark	Page
	F007KD	FFT	* Use for UT	7/7
				Date
				2012/08/20

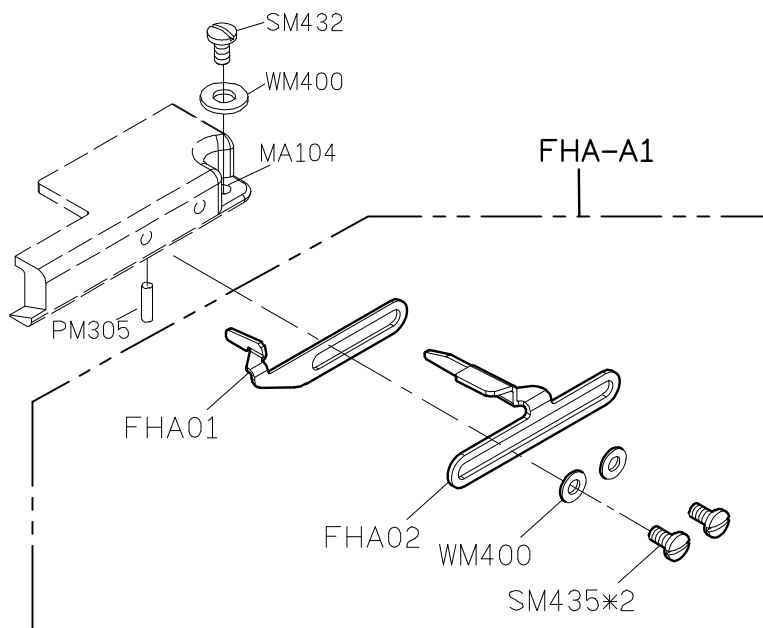


SIRUBA PARTS LIST	Series	Parts Group	Subclass / Remark	Page
	F007K/KD F858K/KD	FHA-K		1/1
				Date 2012/10/31

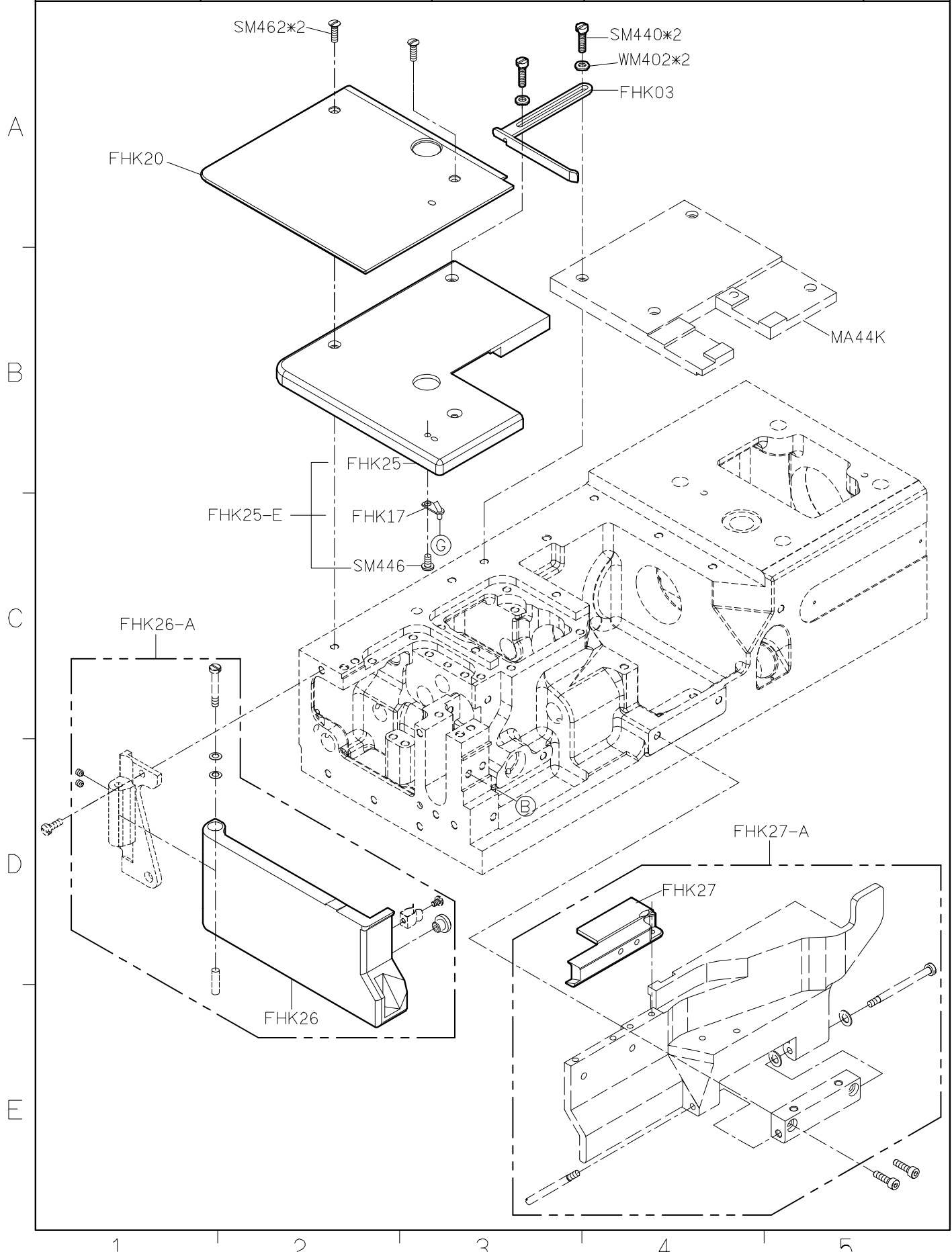
FOR FHA TYPE

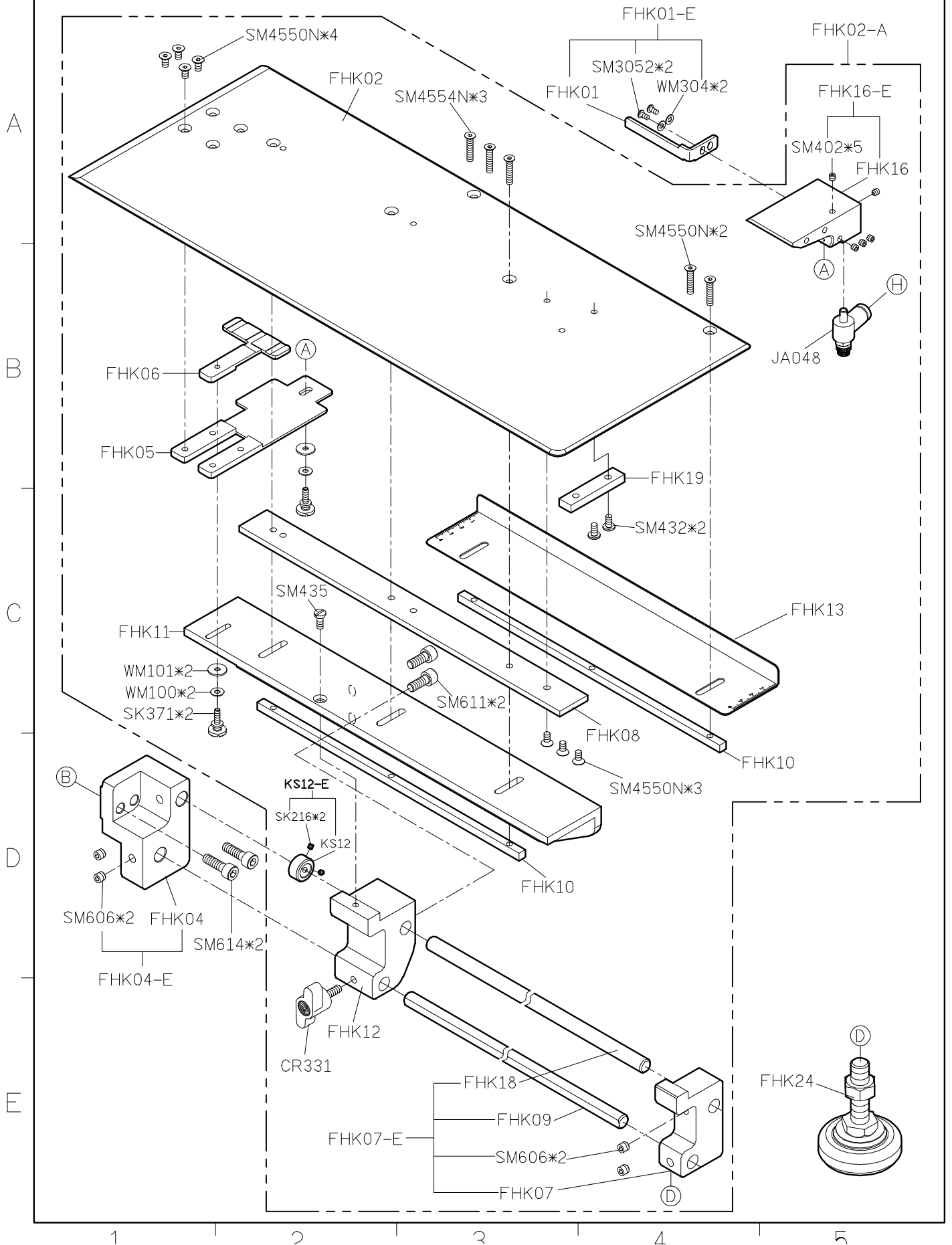


FOR FHA/FQ TYPE  
OPTION DEVICE FOR FQ MACHINE  
CONVERT TO FHA BOTTOM HEMMING

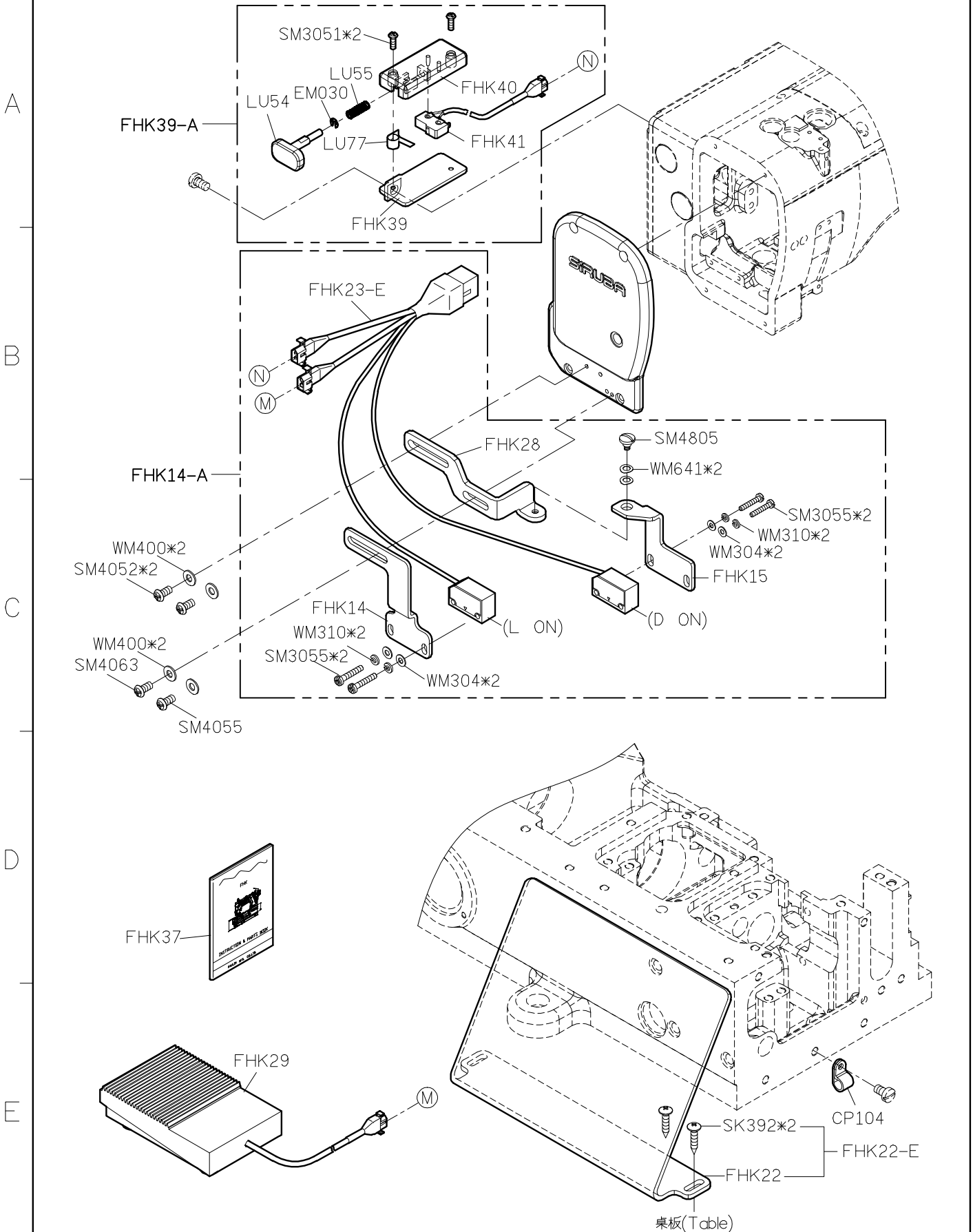


SIRUBA PARTS LIST	Series	Parts Group	Subclass / Remark	Page
	F007KD	FHK		1/6
				Date
				2012/08/20





SIRUBA PARTS LIST	Series	Parts Group	Subclass / Remark	Page
	F007KD	FHK		3/6
				Date
				2012/08/20



1

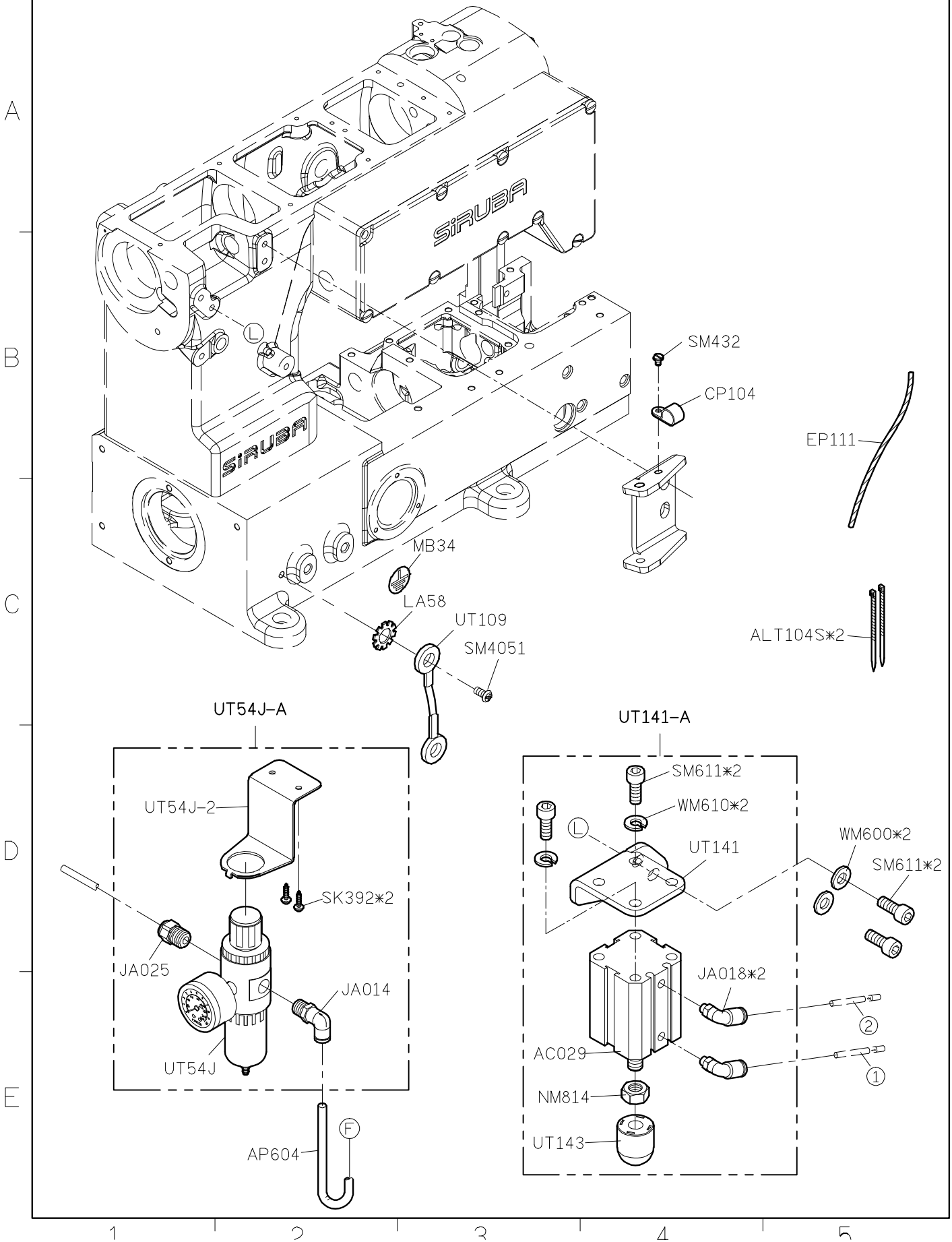
2

3

4

5

SIRUBA PARTS LIST	Series	Parts Group	Subclass / Remark	Page
	F007KD	FHK		4/6
				Date
				2012/08/20





SIRUBA PARTS LIST	Series	Parts Group	Subclass / Remark	Page
	F007KD	FHK		5/6
				Date
				2012/08/20

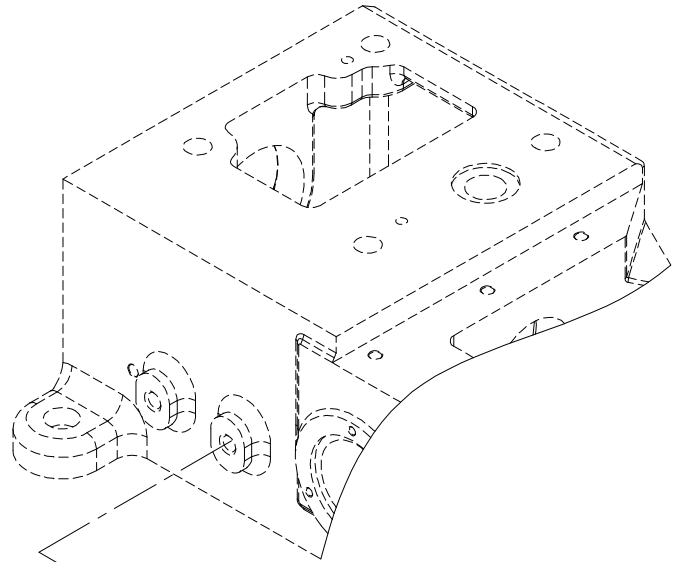
A

B

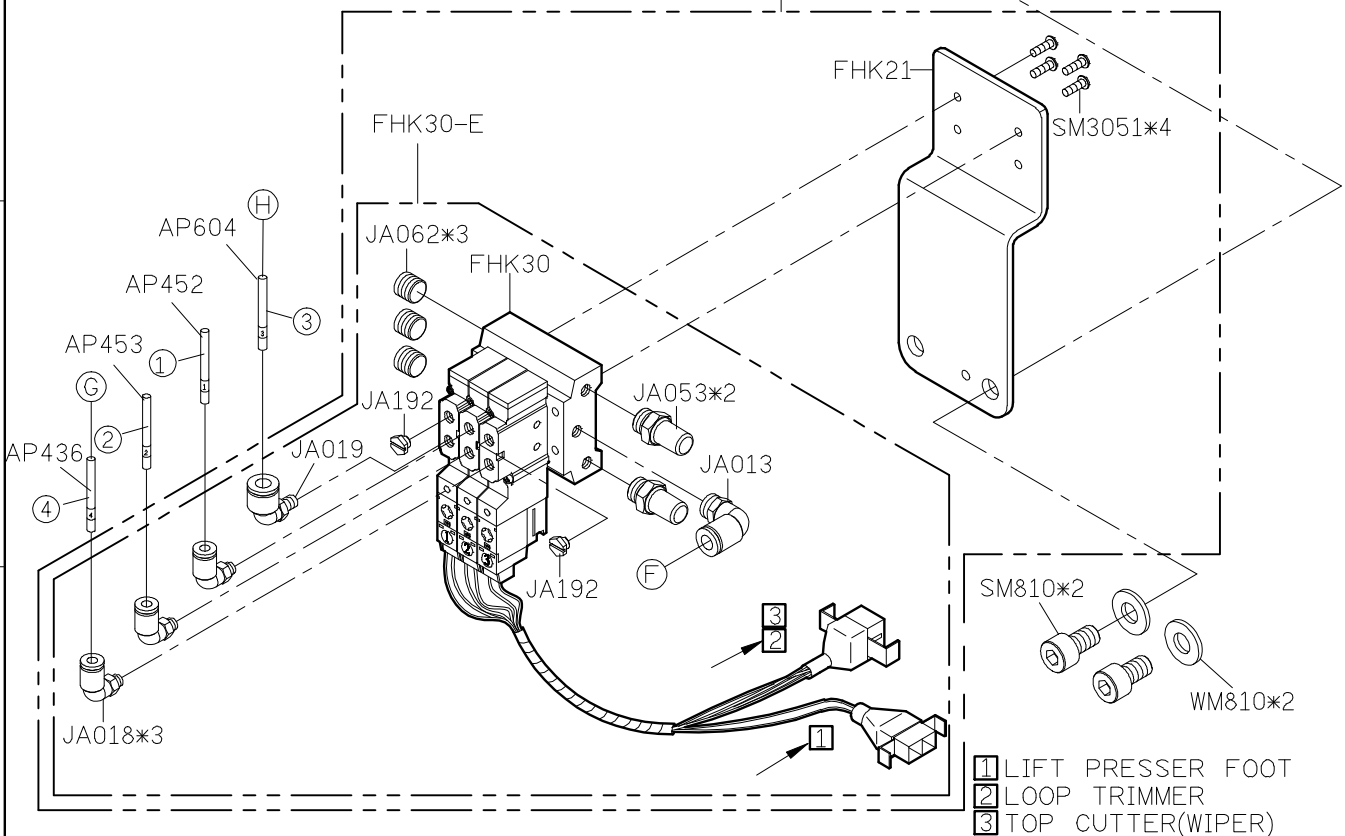
C

D

E



FHK30-A



- 1 LIFT PRESSER FOOT
- 2 LOOP TRIMMER
- 3 TOP CUTTER(WIPER)

1

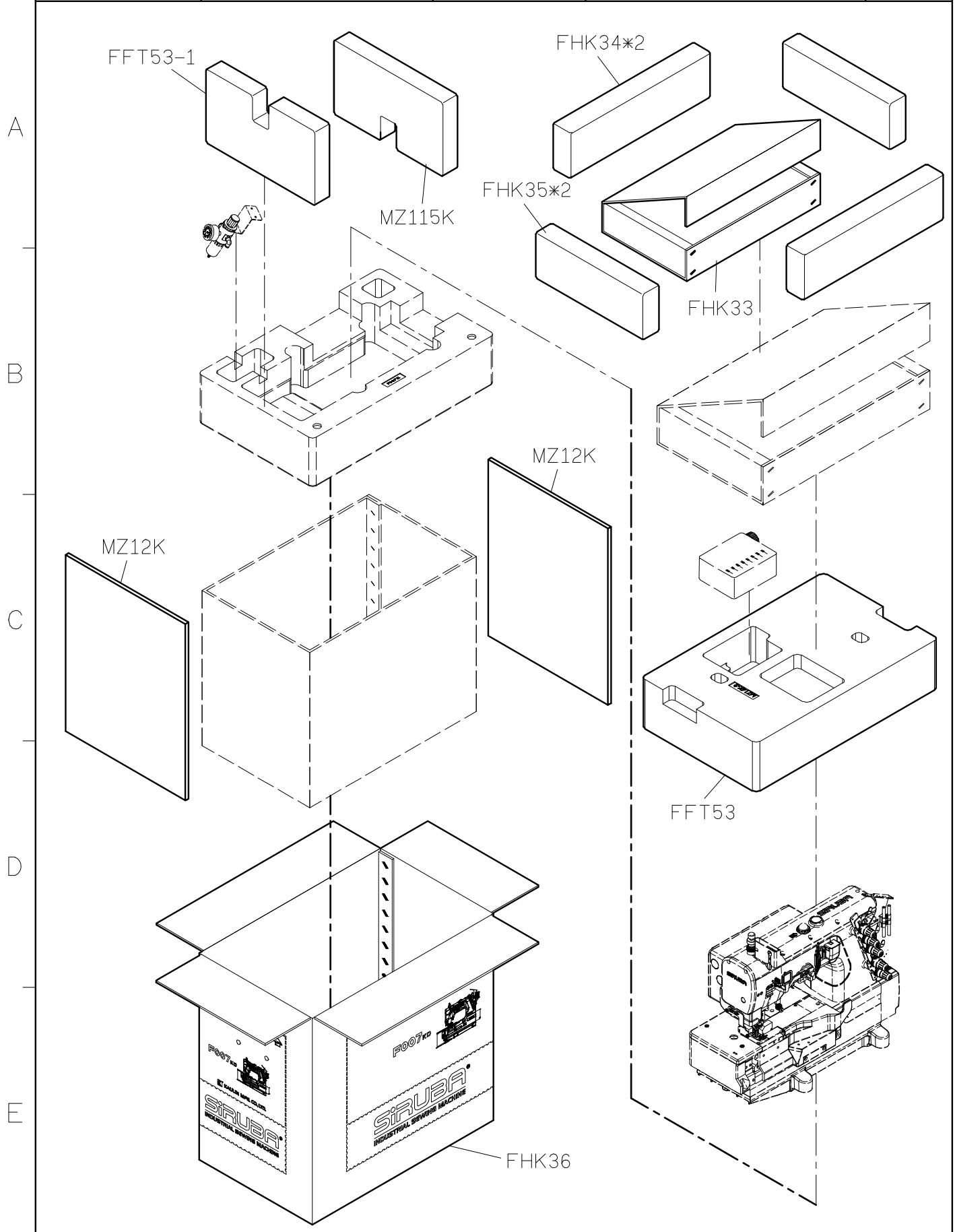
2

3

4

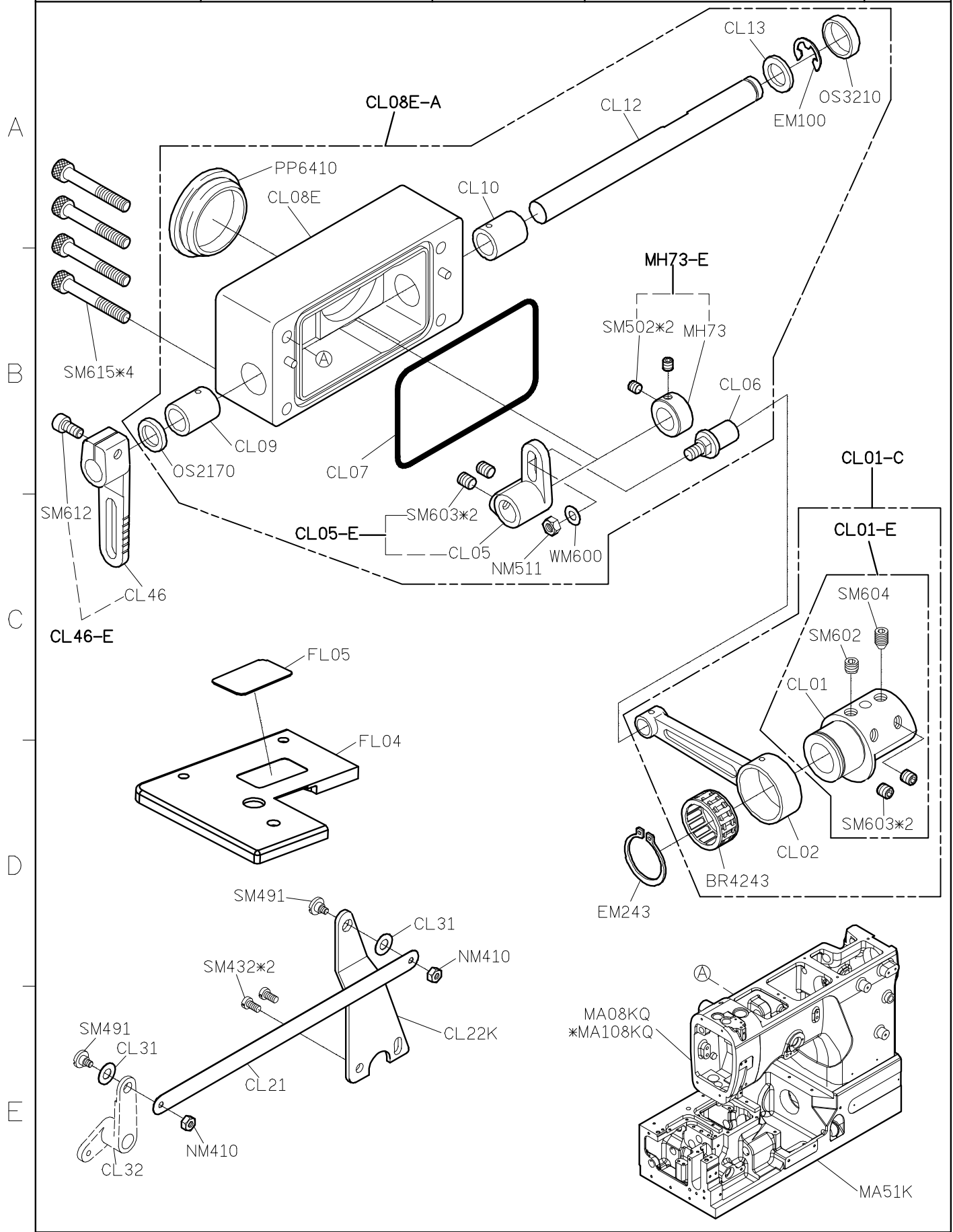
5

SIRUBA PARTS LIST	Series	Parts Group	Subclass / Remark	Page
	F007KD	FHK		6/6
				Date
				2012/08/20



1                      2                      3                      4                      5

SIRUBA PARTS LIST	Parts Group		Subclass / Remark	Page
	F007K/F007KD		FL-K	1/2
	F858K/F858KD			Date
				2012/10/31



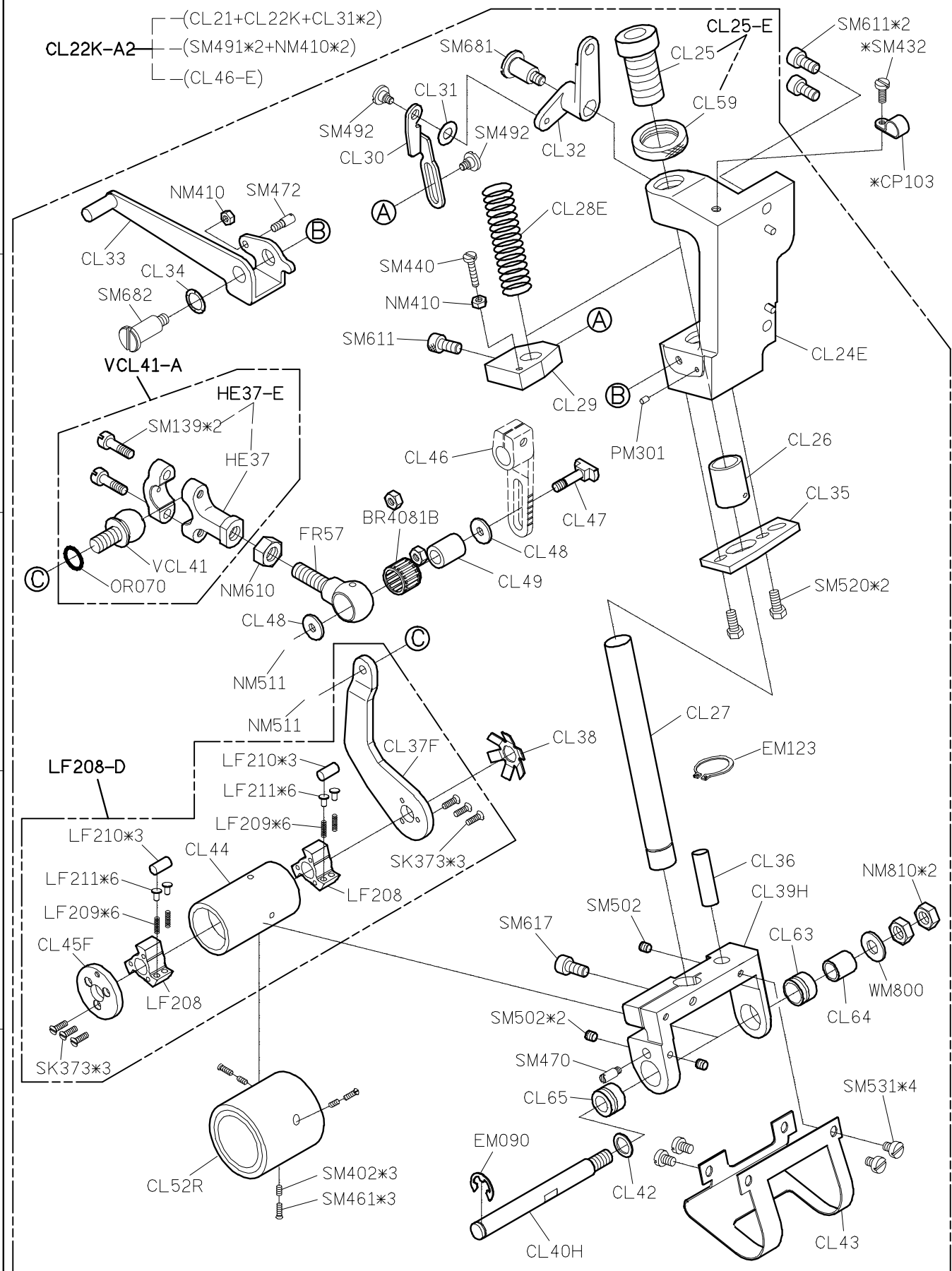
A

B

C

D

E



1

2

3

4

5

SIRUBA PARTS LIST	Series	Parts Group	Subclass / Remark	Page
	F007K/F007KD	FP-K		1/1
	F858K/F858KD			Date
	2012/10/31			

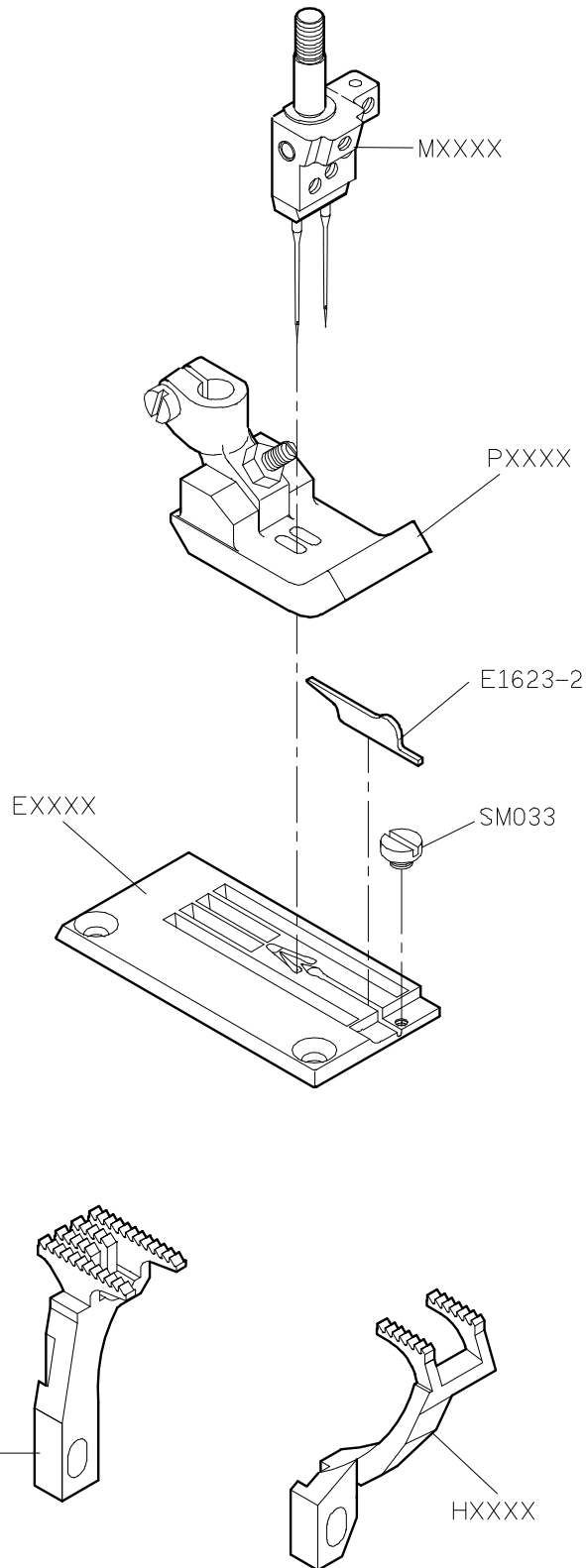
A

B

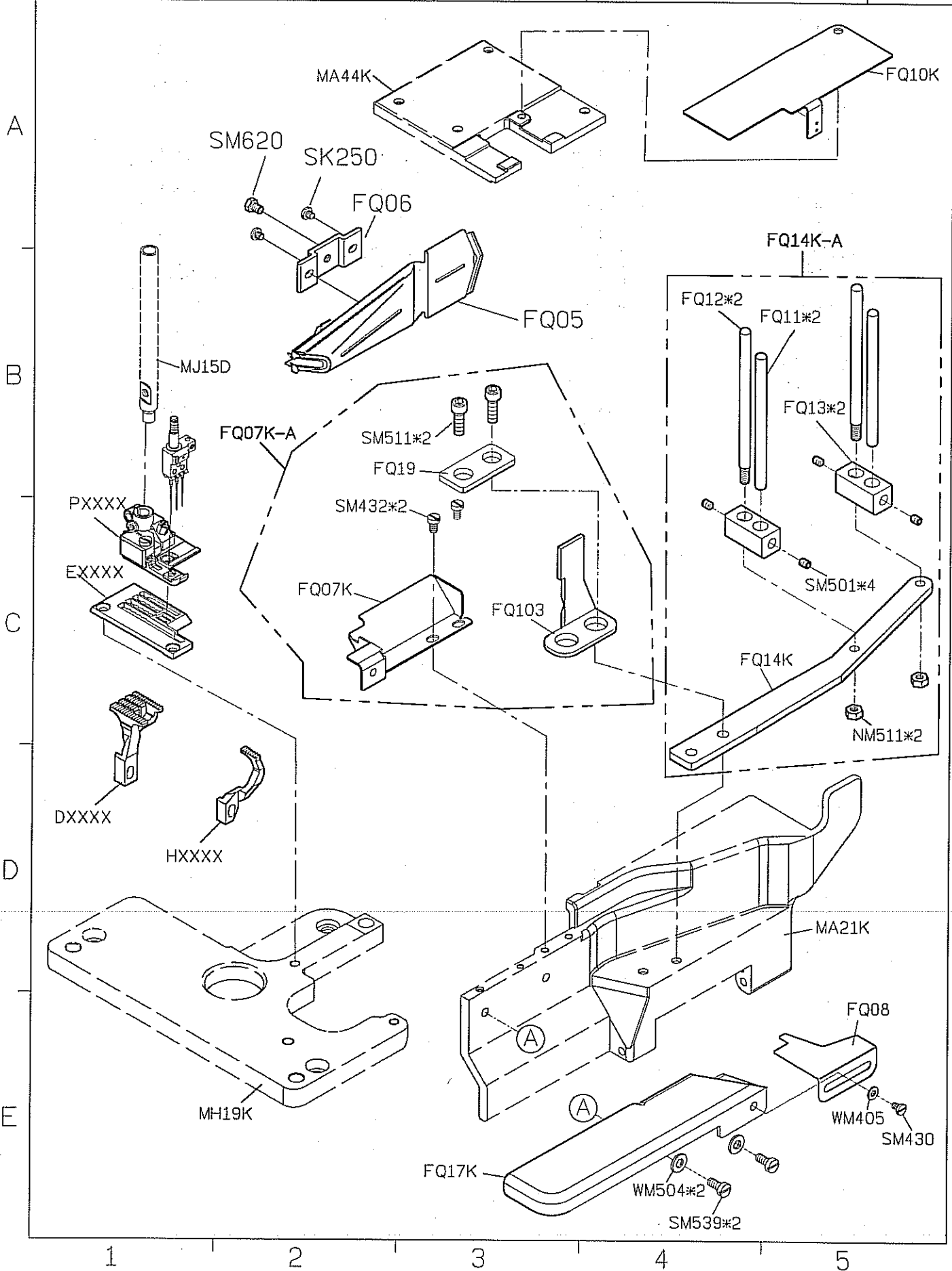
C

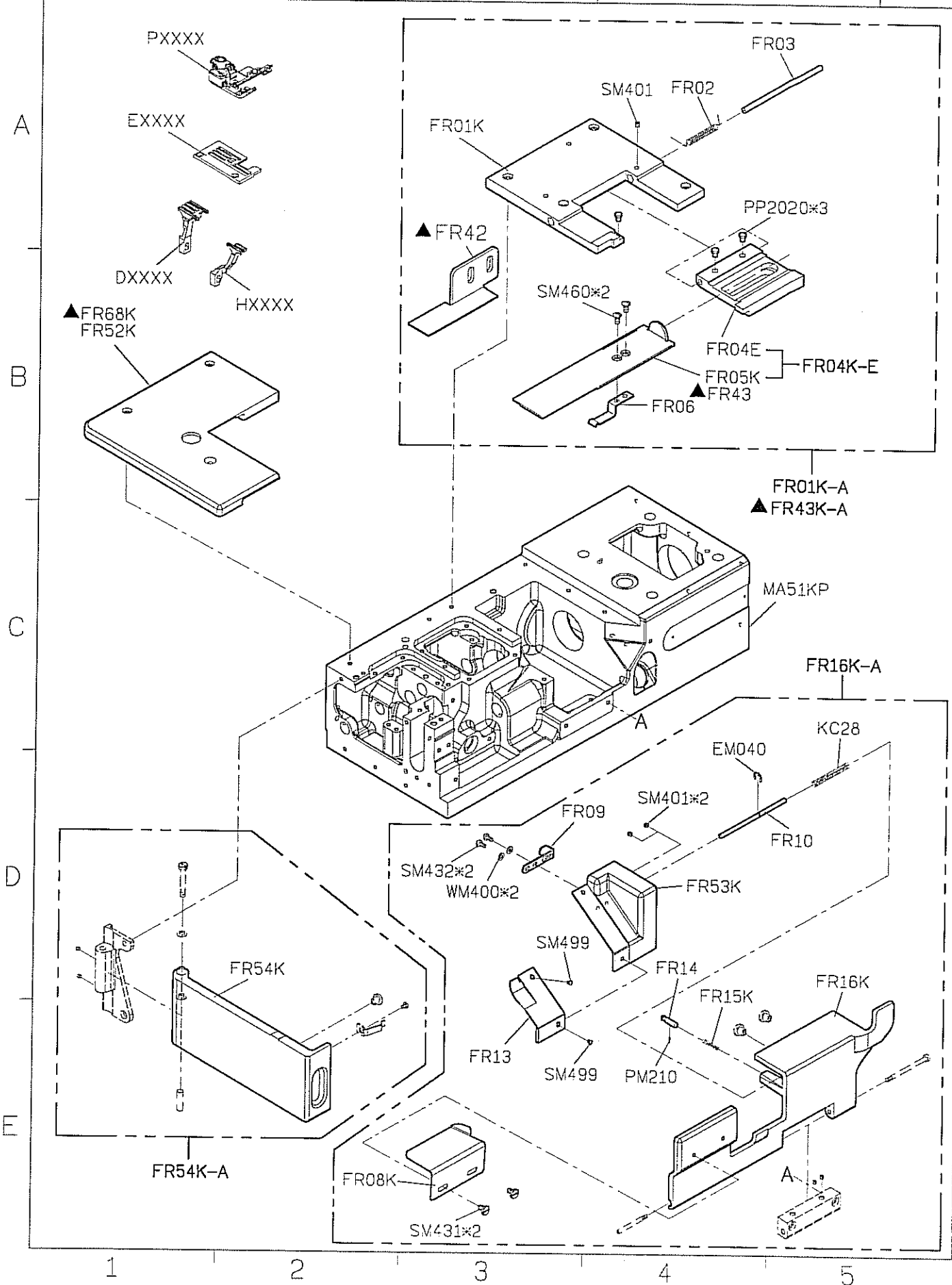
D

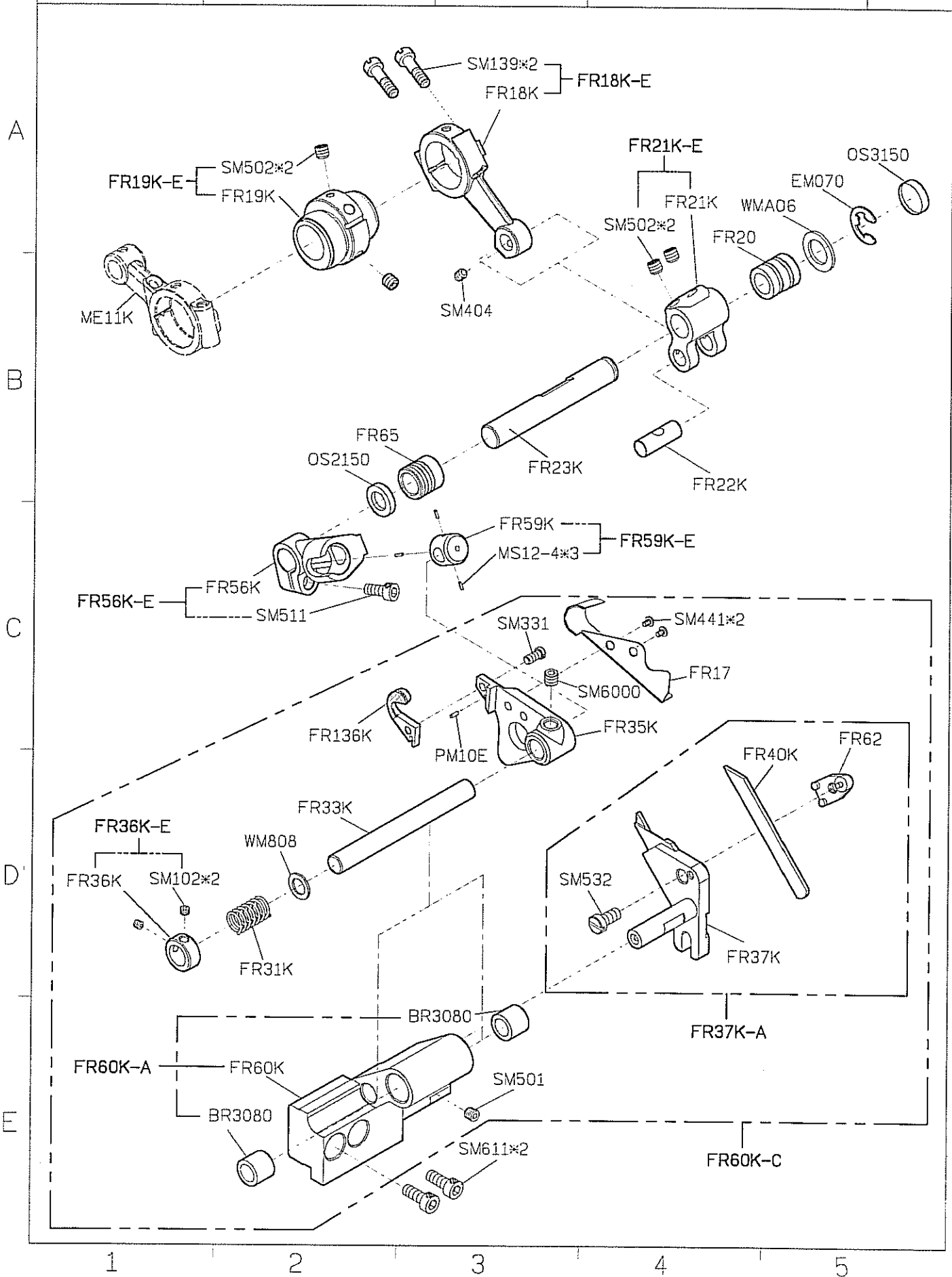
E



SIRUBA PARTS LIST	Series	Parts Group	Subclass / Remark	Page
	F007K/F007KD	FQ-K		1/1
	F858K/F858KD			Date
				2012/10/31

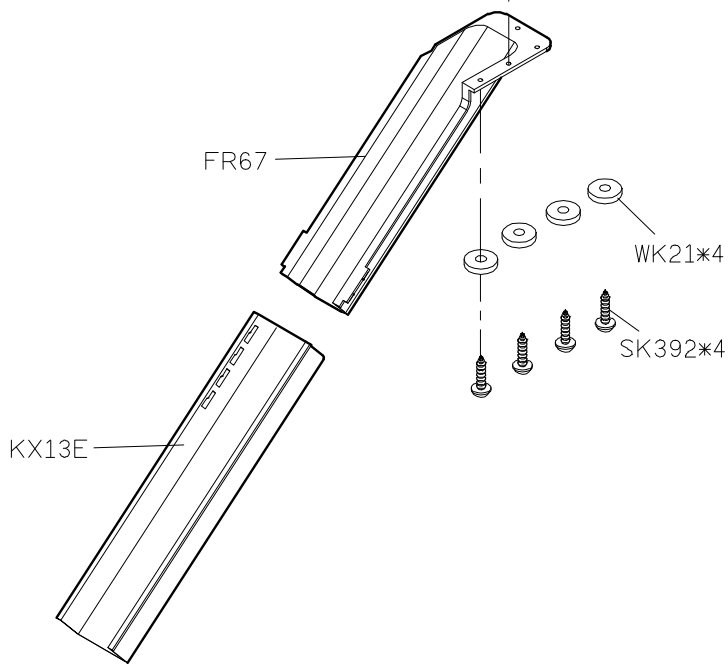
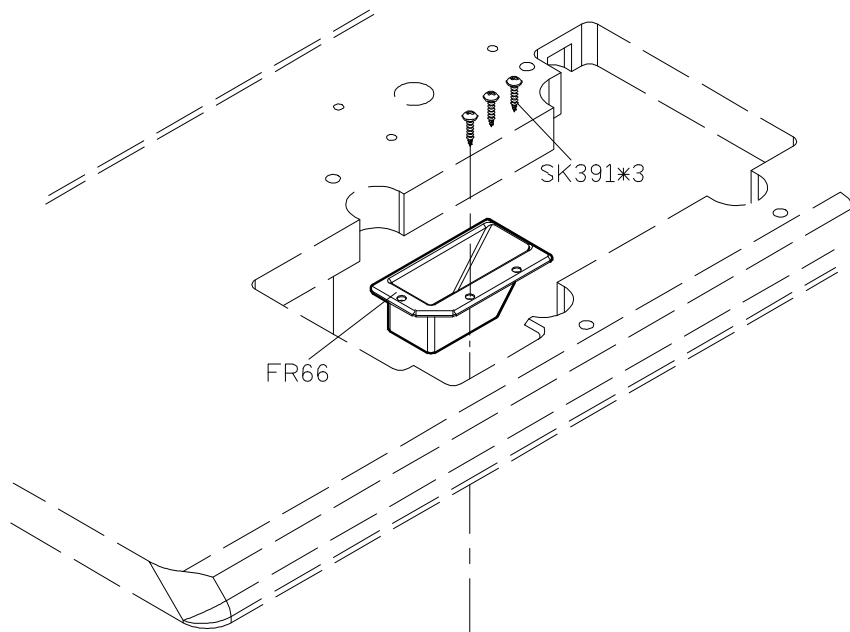


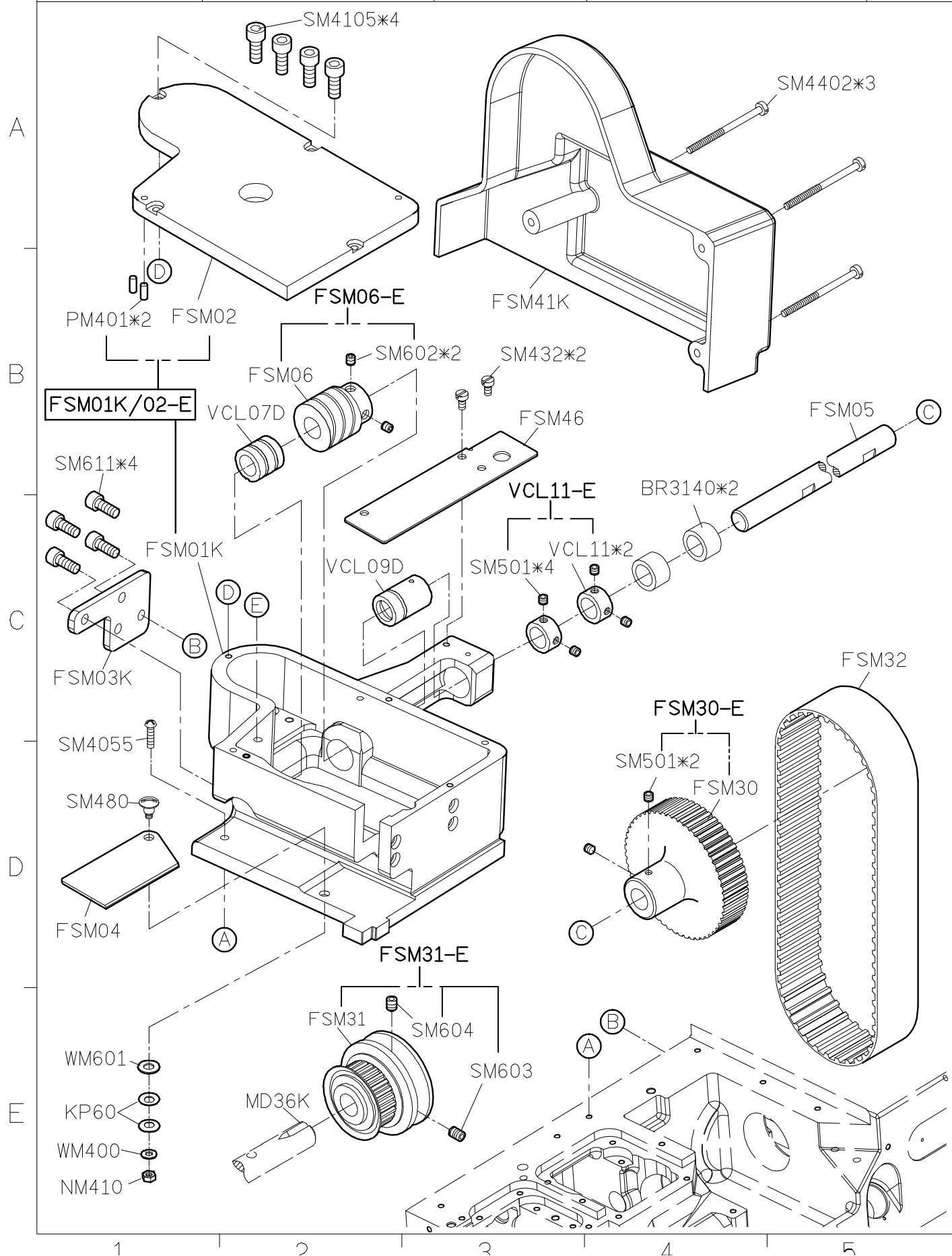


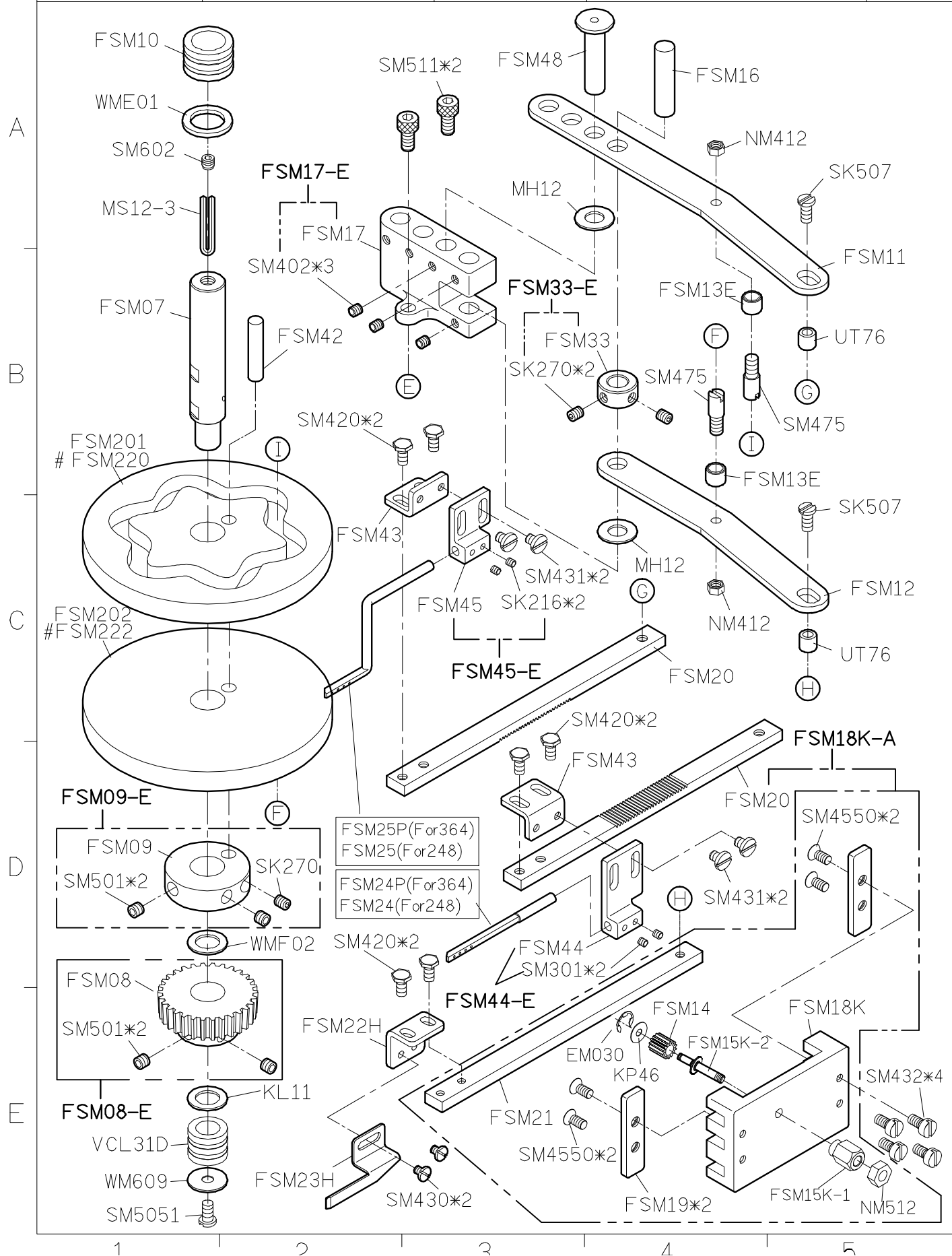


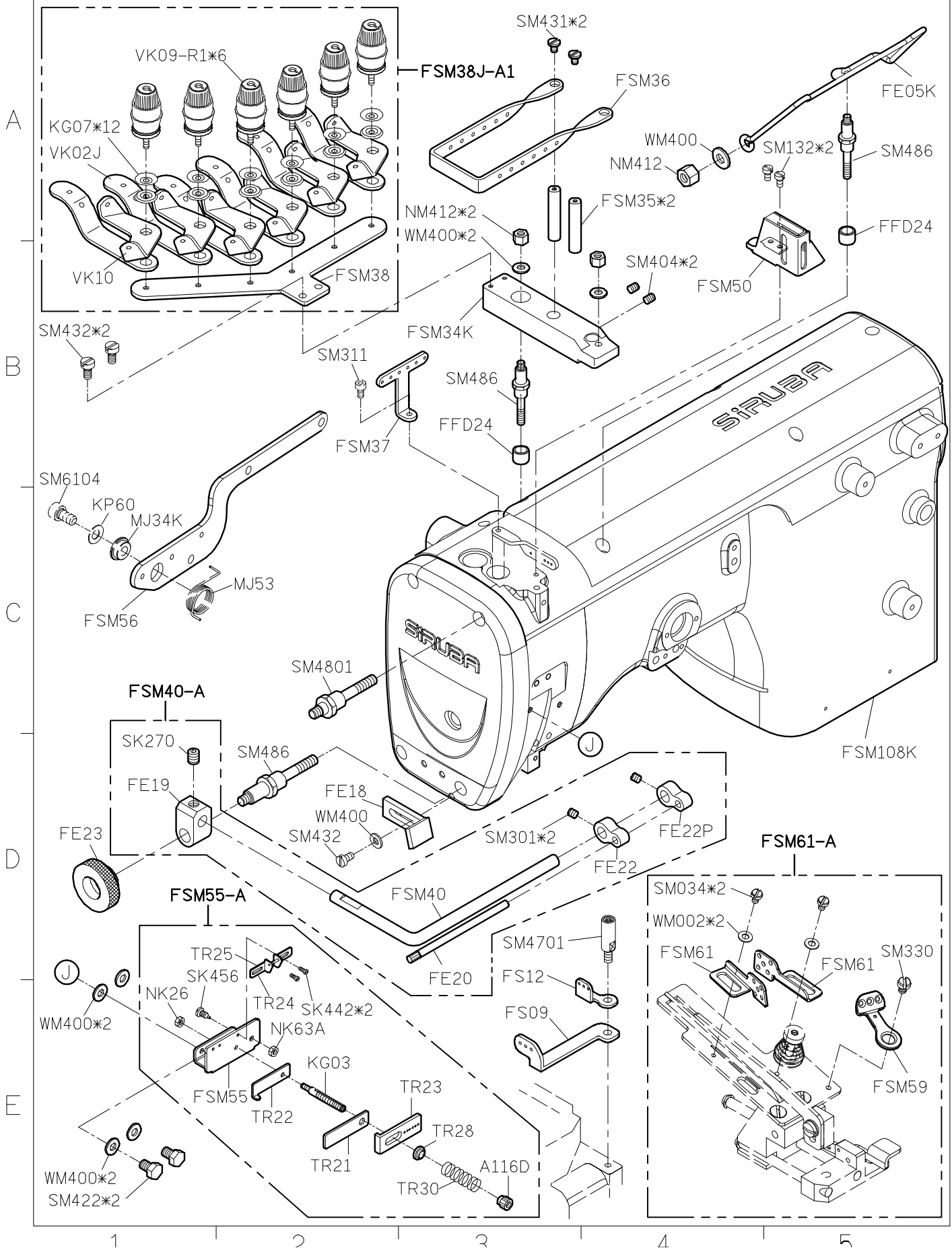


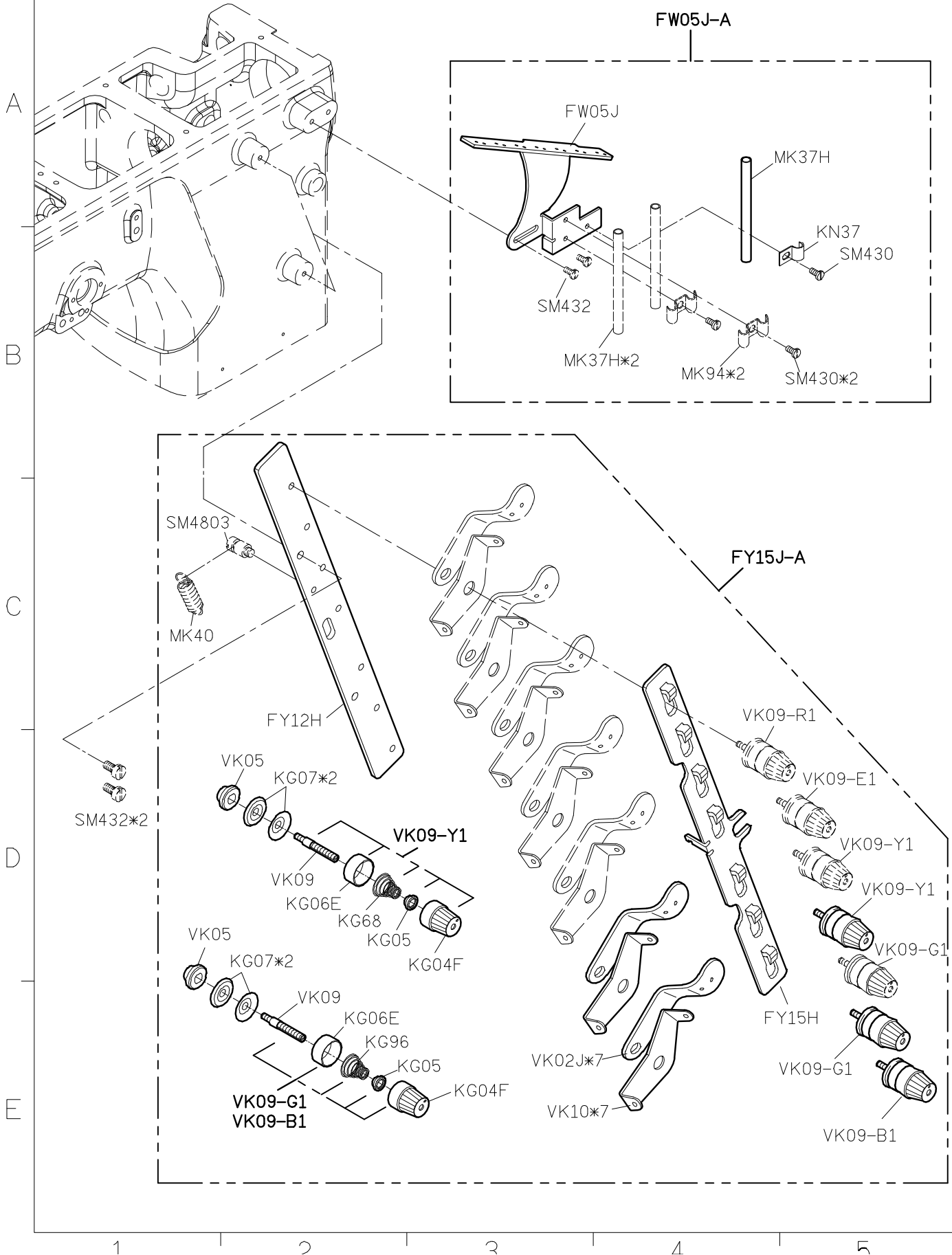
FR66-A

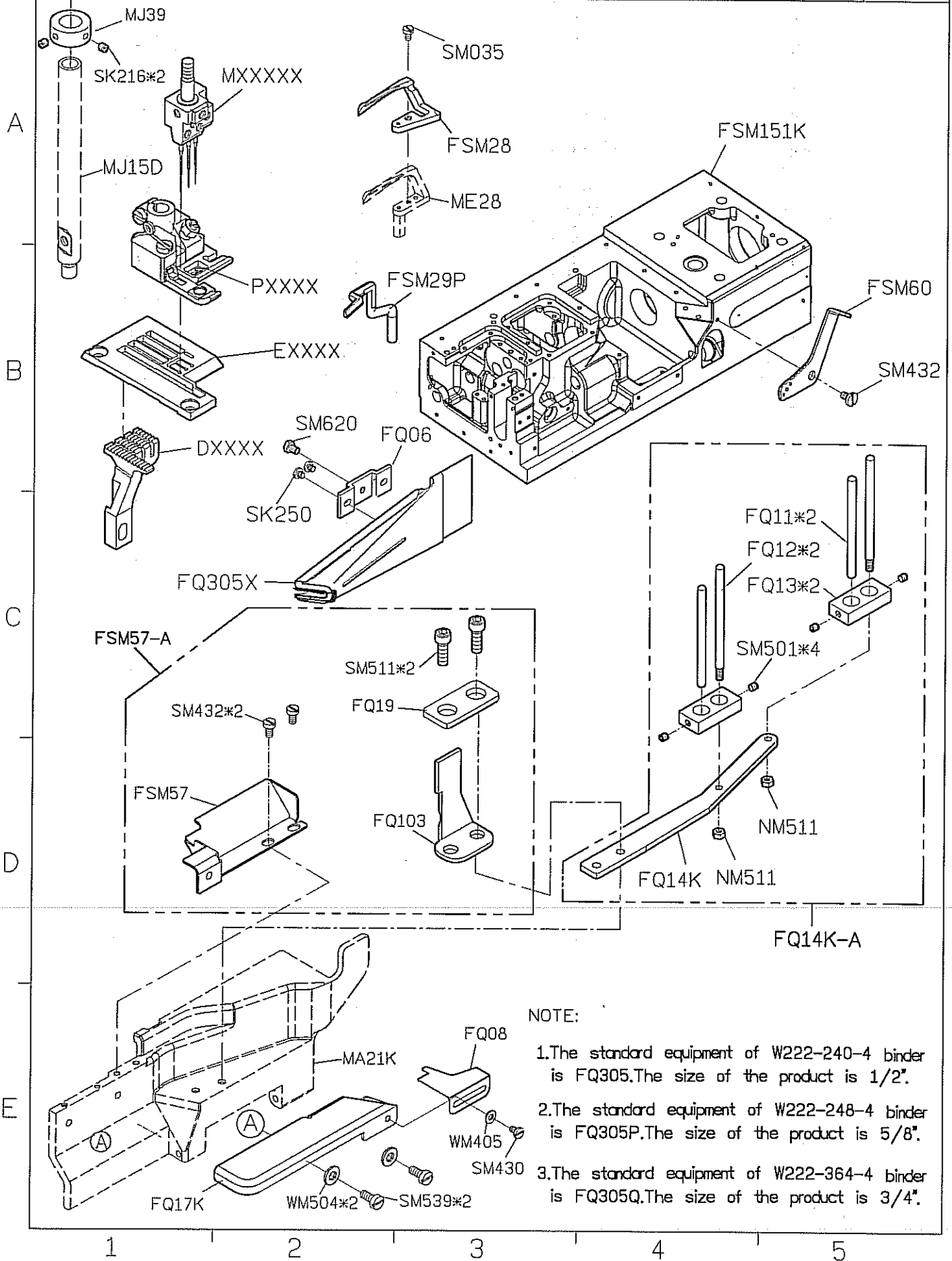








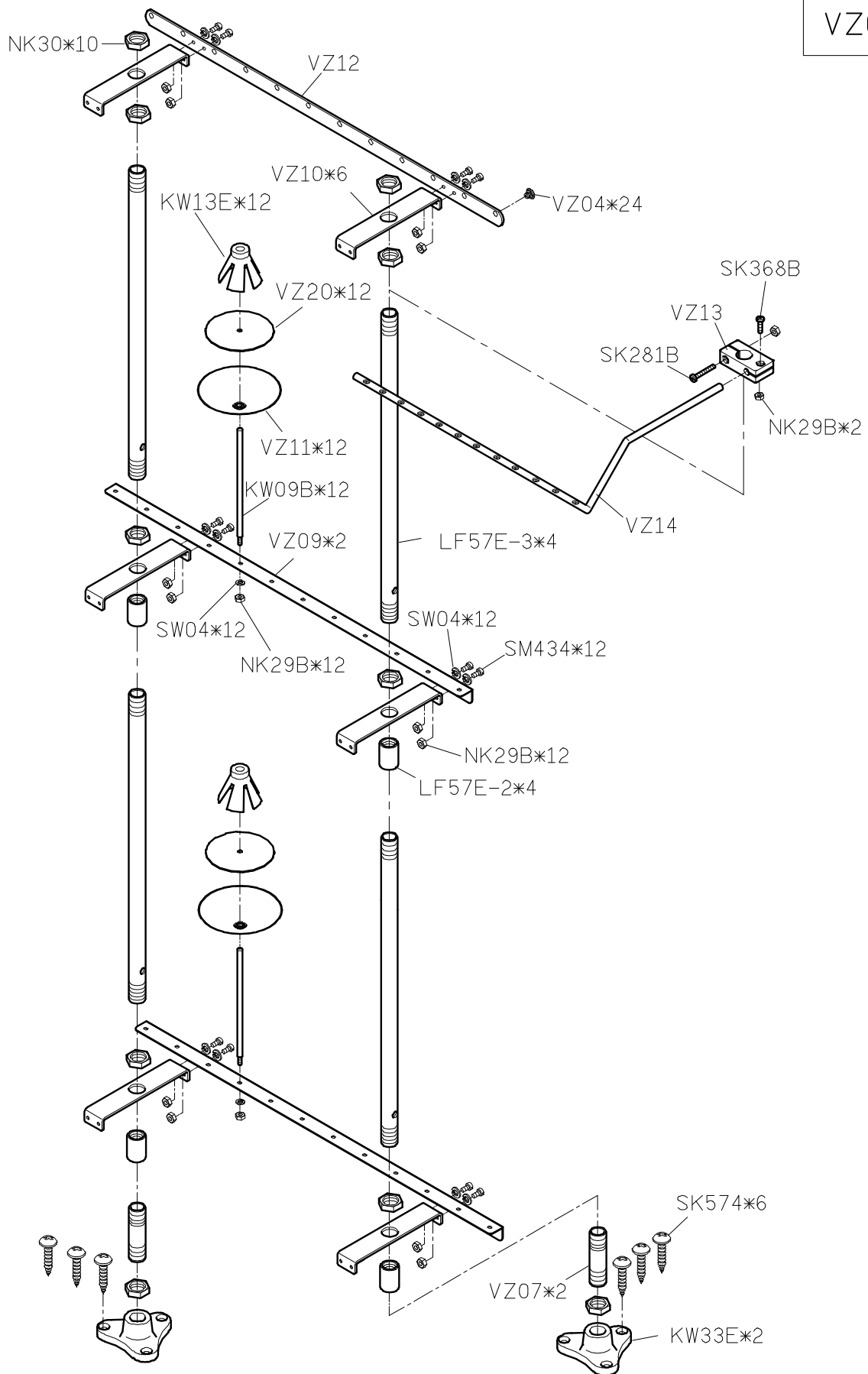




<b>SIRUBA</b> <b>PARTS LIST</b>	<b>F007K/F007KD</b> <b>F858K/F858KD</b>	<b>Parts Group</b> <b>FSM-K</b>	<b>Subclass / Remark</b> For F007K/F858K	<b>Page</b> 6/6
				<b>Date</b>

VZ07-A

A  
B  
C  
D  
E



1 2 3 4 5

**SIRUBA**

PARTS LIST

Series  
**F007K/F007KD**  
**F858K/F858KD**

Parts Group  
**FSP-K**

Subclass / Remark

Page

1/1

Date

2012/10/31

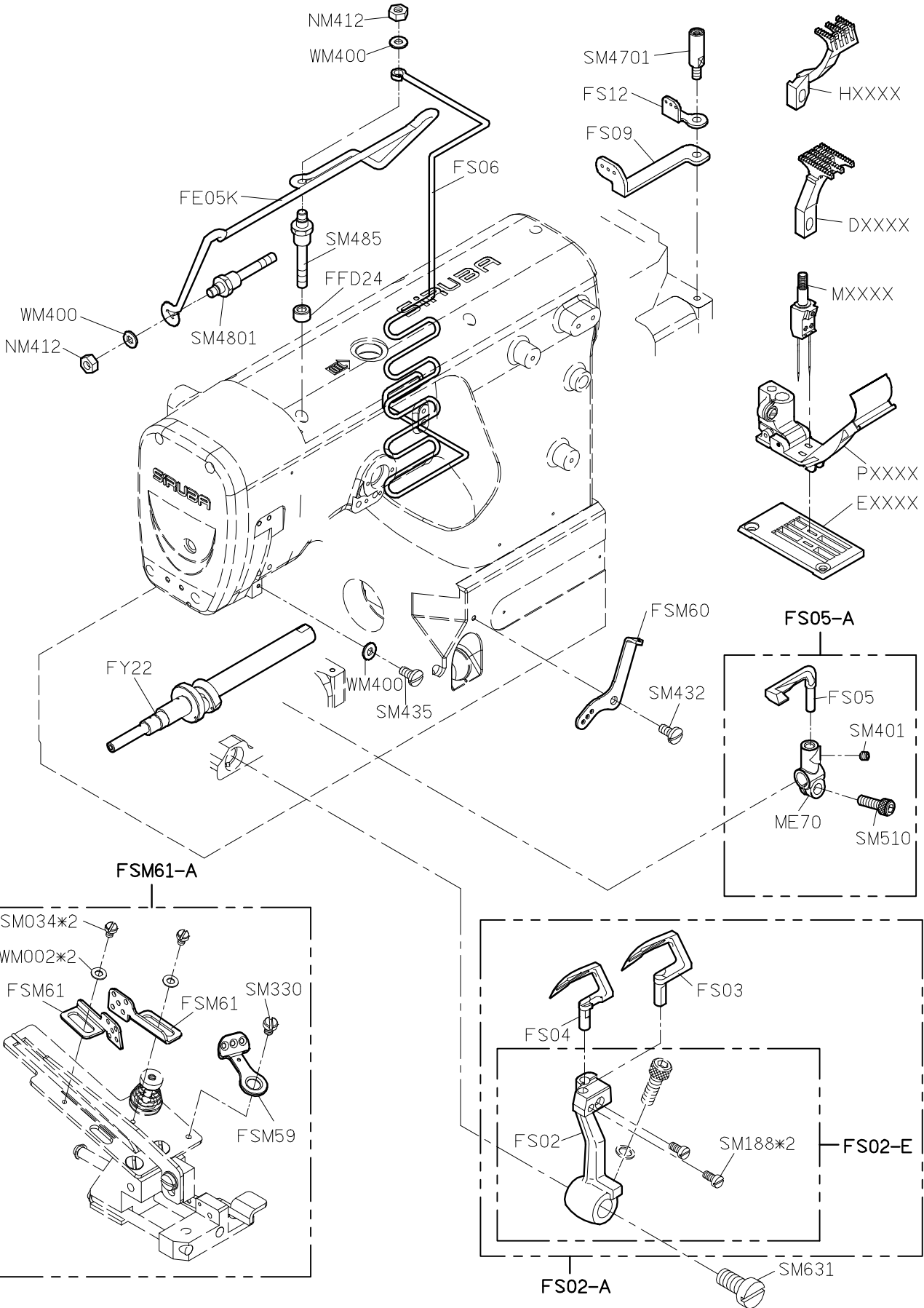
A

B

C

D

E



1

2

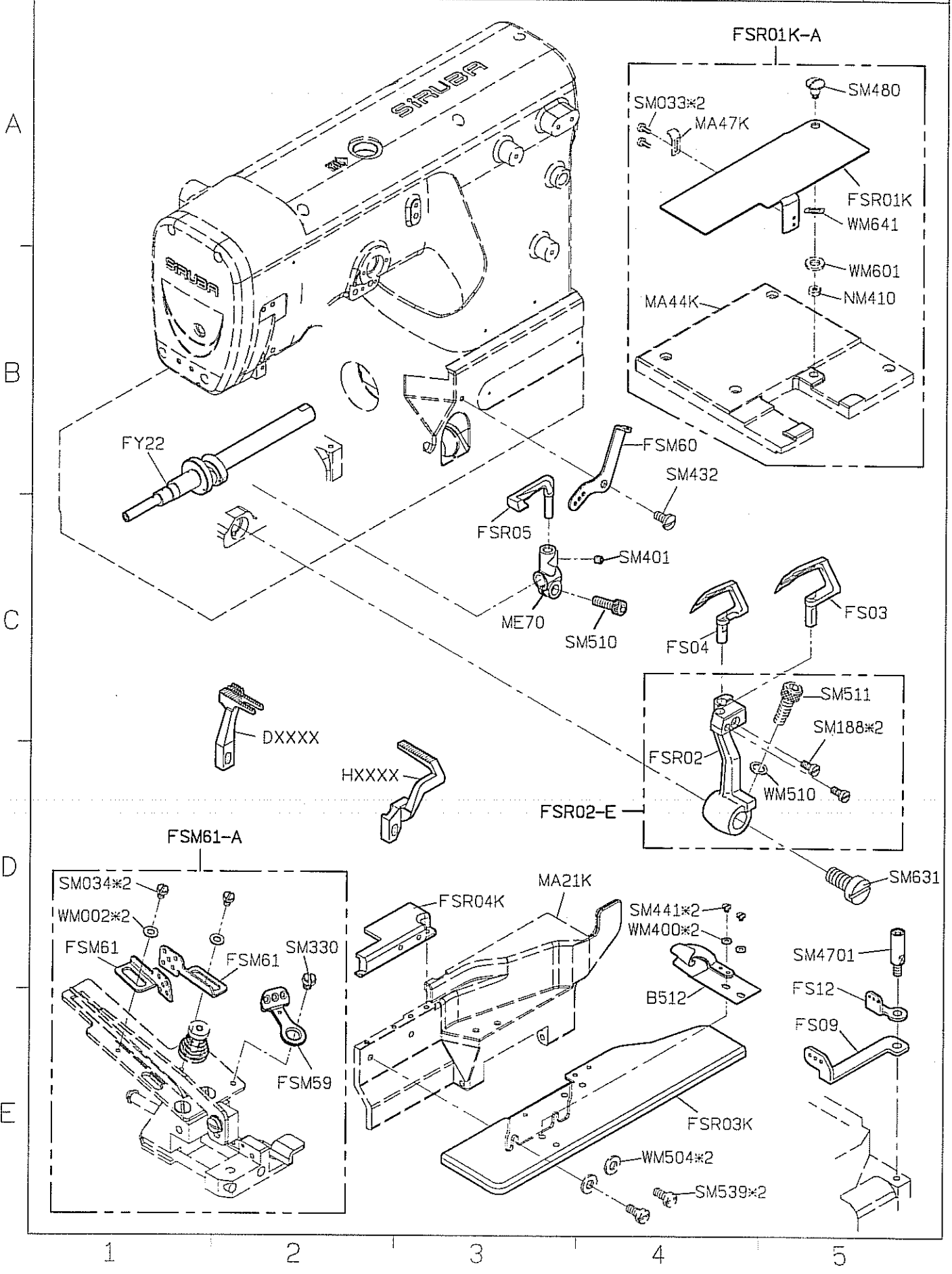
3

4

5



SIRUBA PARTS LIST	Series	Parts Group	Subclass / Remark	Page
	F007K/F007KD	FSR-K		1/1
	F858K/F858KD			Date

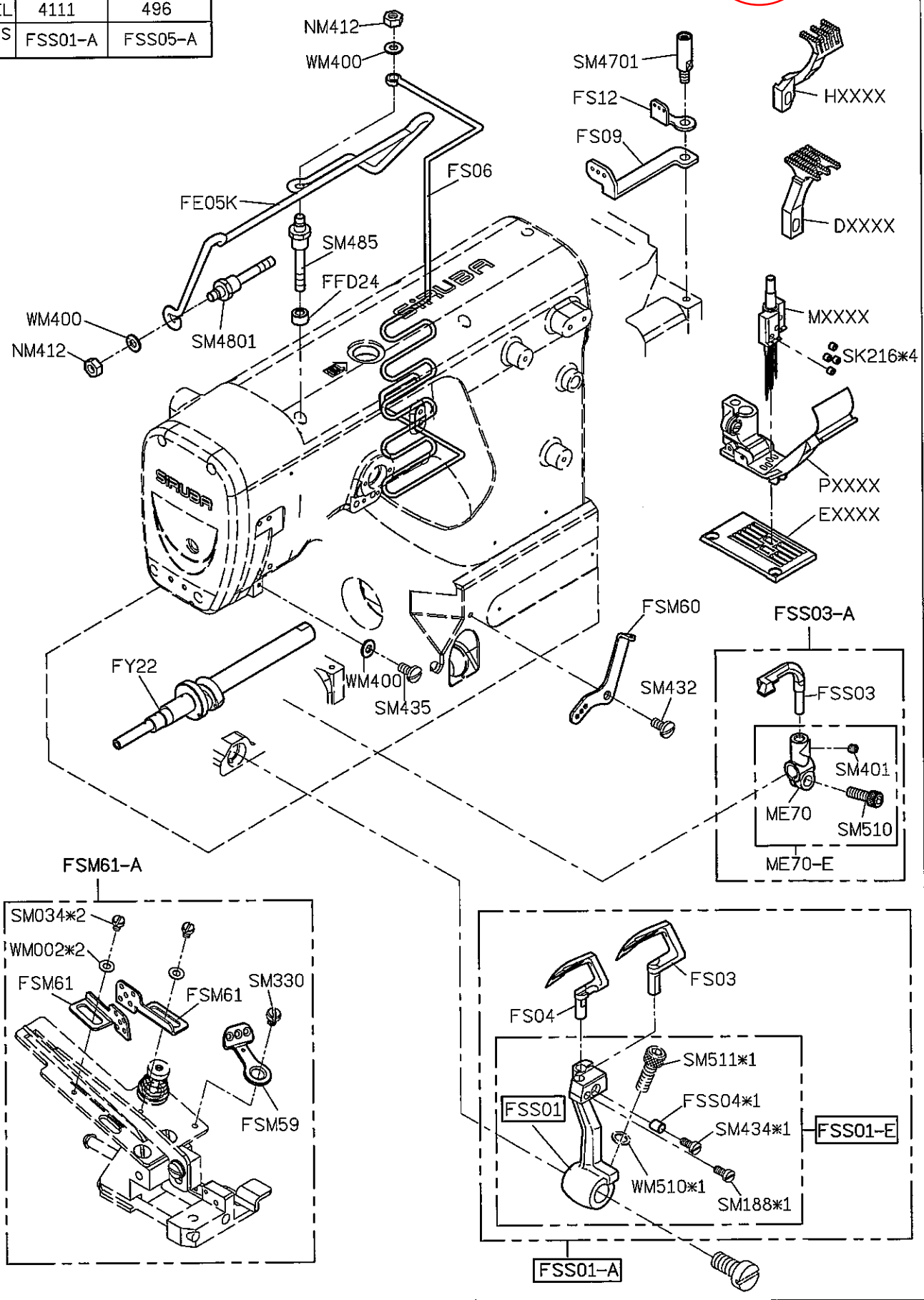


SiRUBA		Series	Parts Group	Subclass / Remark	Page
PARTS LIST		F007K/F007KD F858K/F858KD	FSS		1/3
					Date
					2013/06/14

研發部  
 2013.08.05  
 發行

MODEL	4111	496
PARTS NO	FSS01-A	FSS05-A

A  
B  
C  
D  
E



1                      2                      3                      4                      5

**SIRUBA**

PARTS LIST

Series

F007K/F007KD  
F858K/F858KD

Parts Group

**FSS**

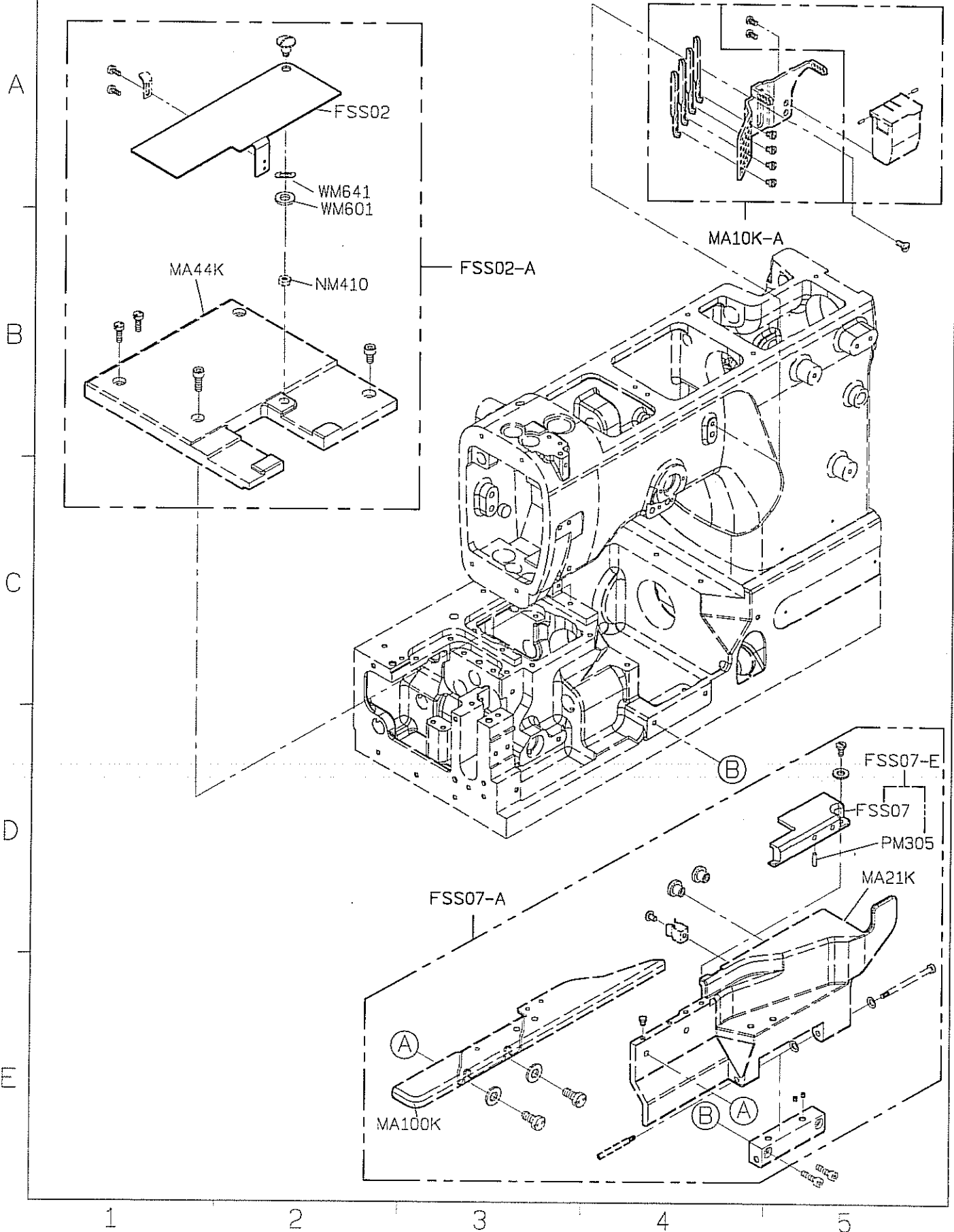
Subclass / Remark

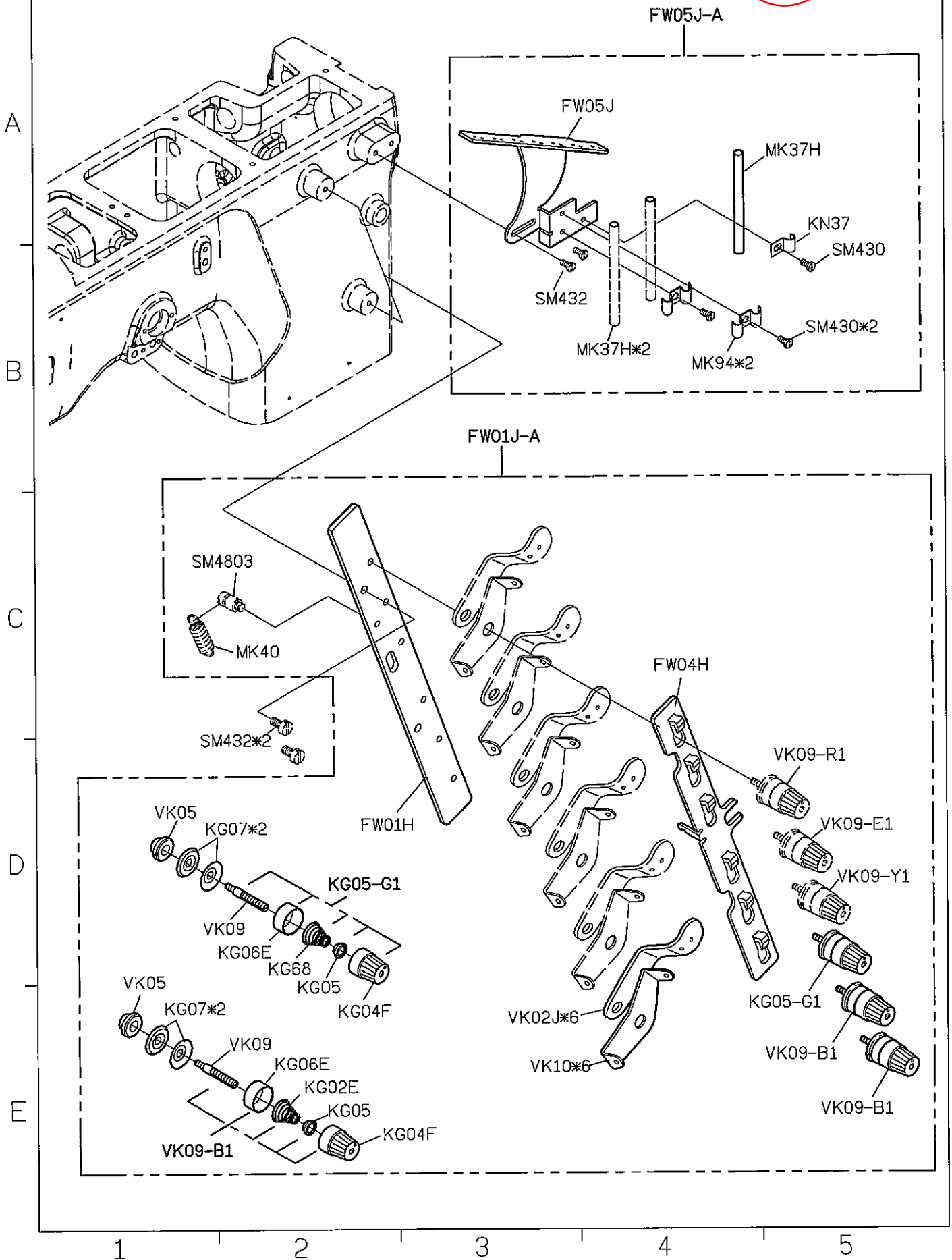
Page

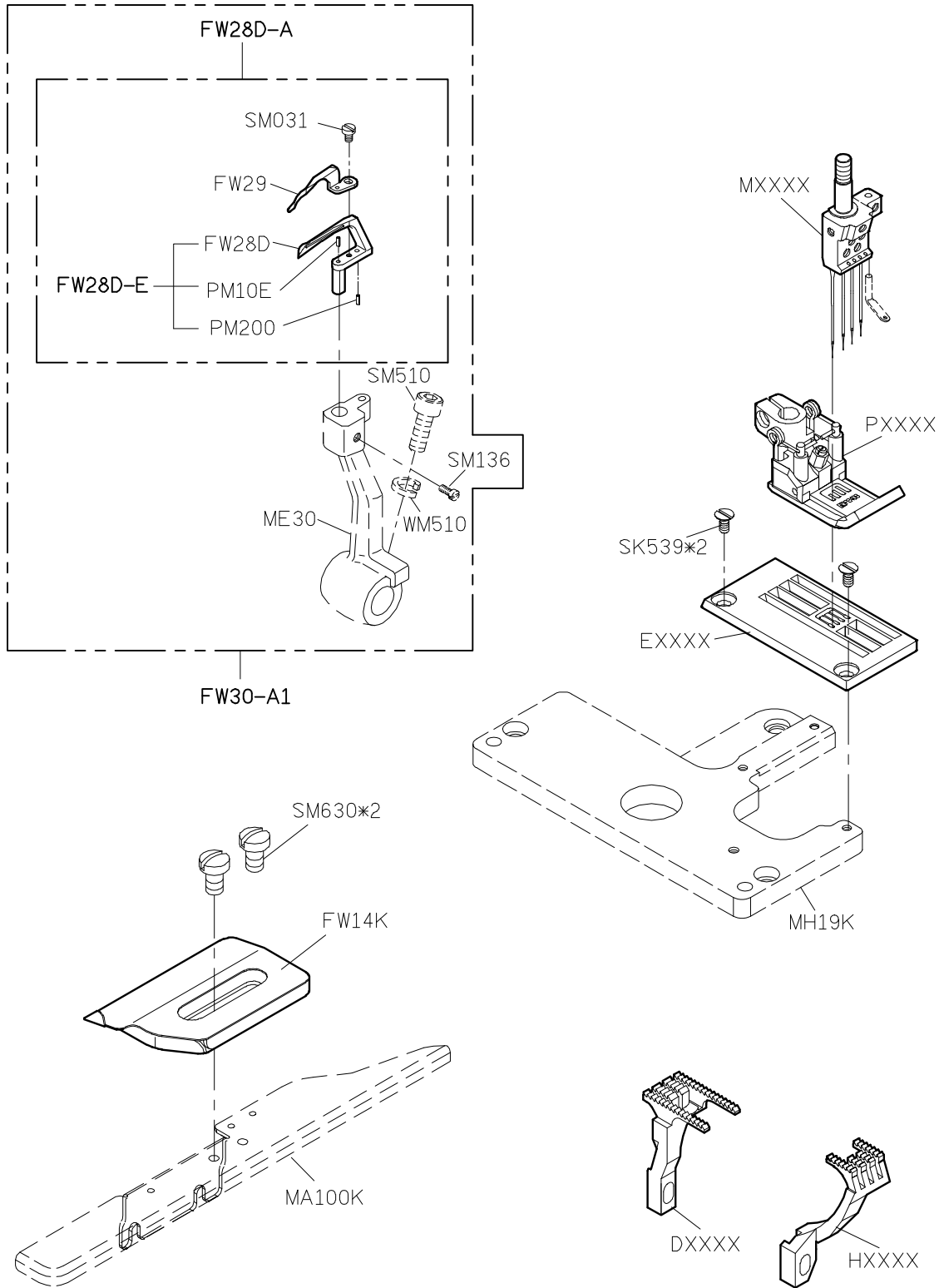
2/3

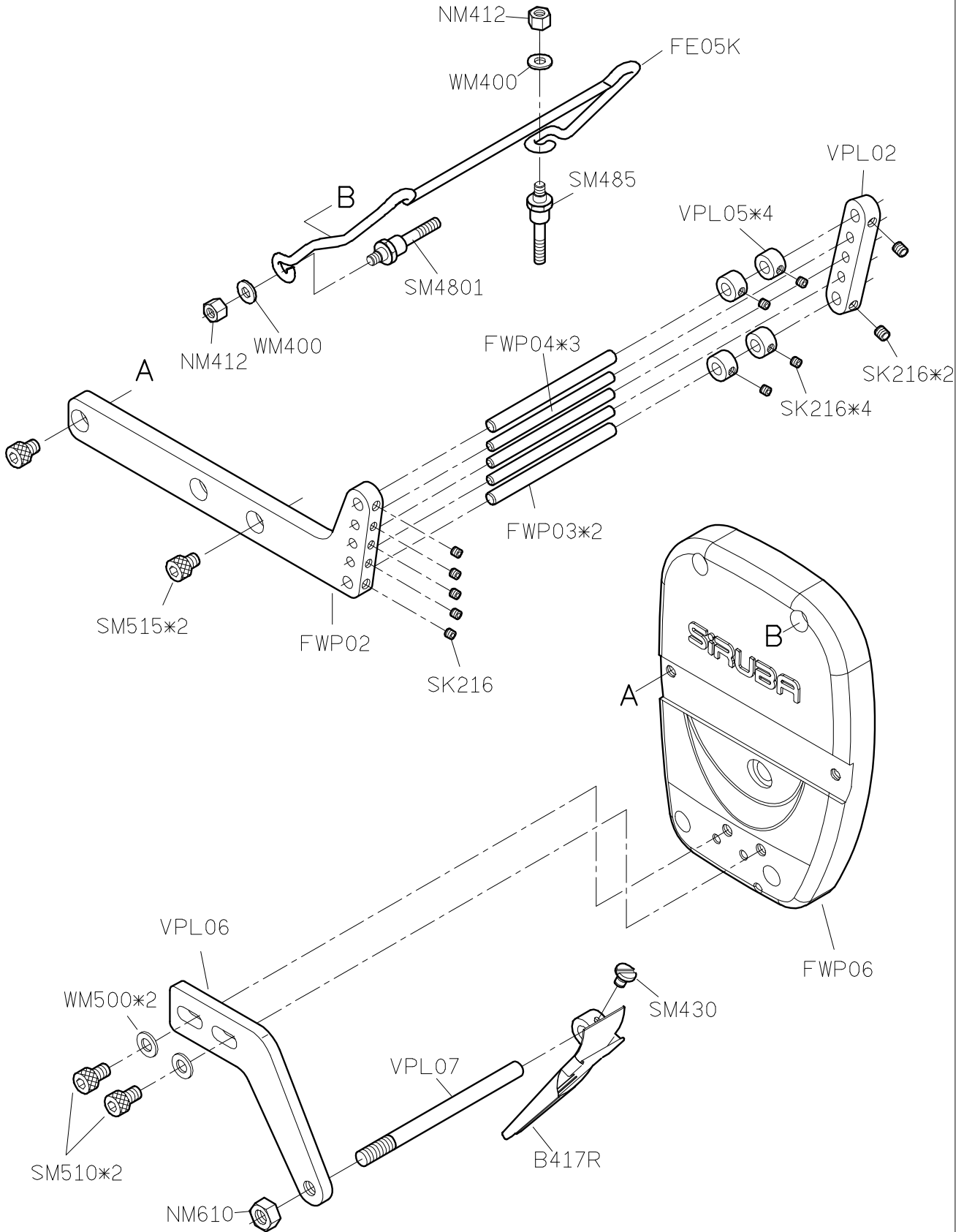
Date

2013/08/21









**SIRUBA**

**PARTS LIST**

**F007K/F007KD  
F858K/F858KD**

**Parts Group  
FW(FWP)-K**

**Subclass / Remark**

**Page**

**3/5**

**Date**

**2012/10/31**

A

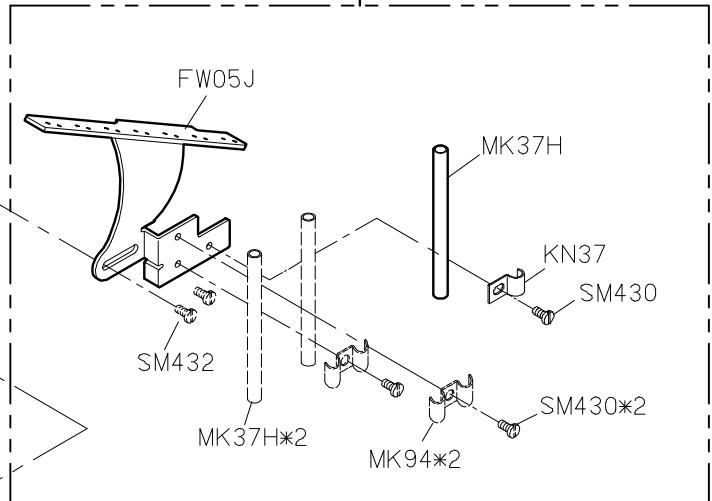
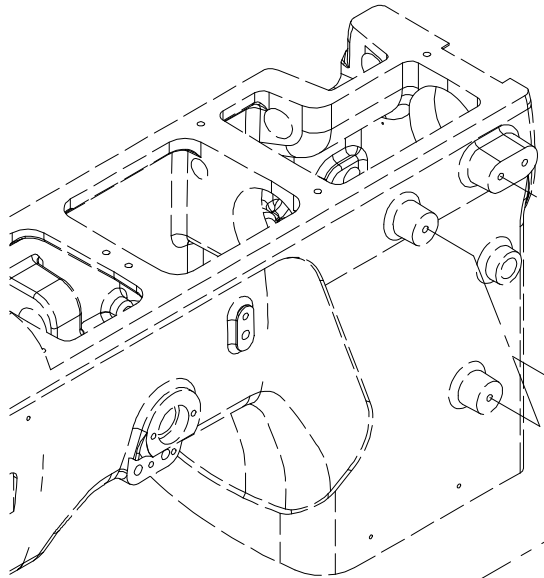
B

C

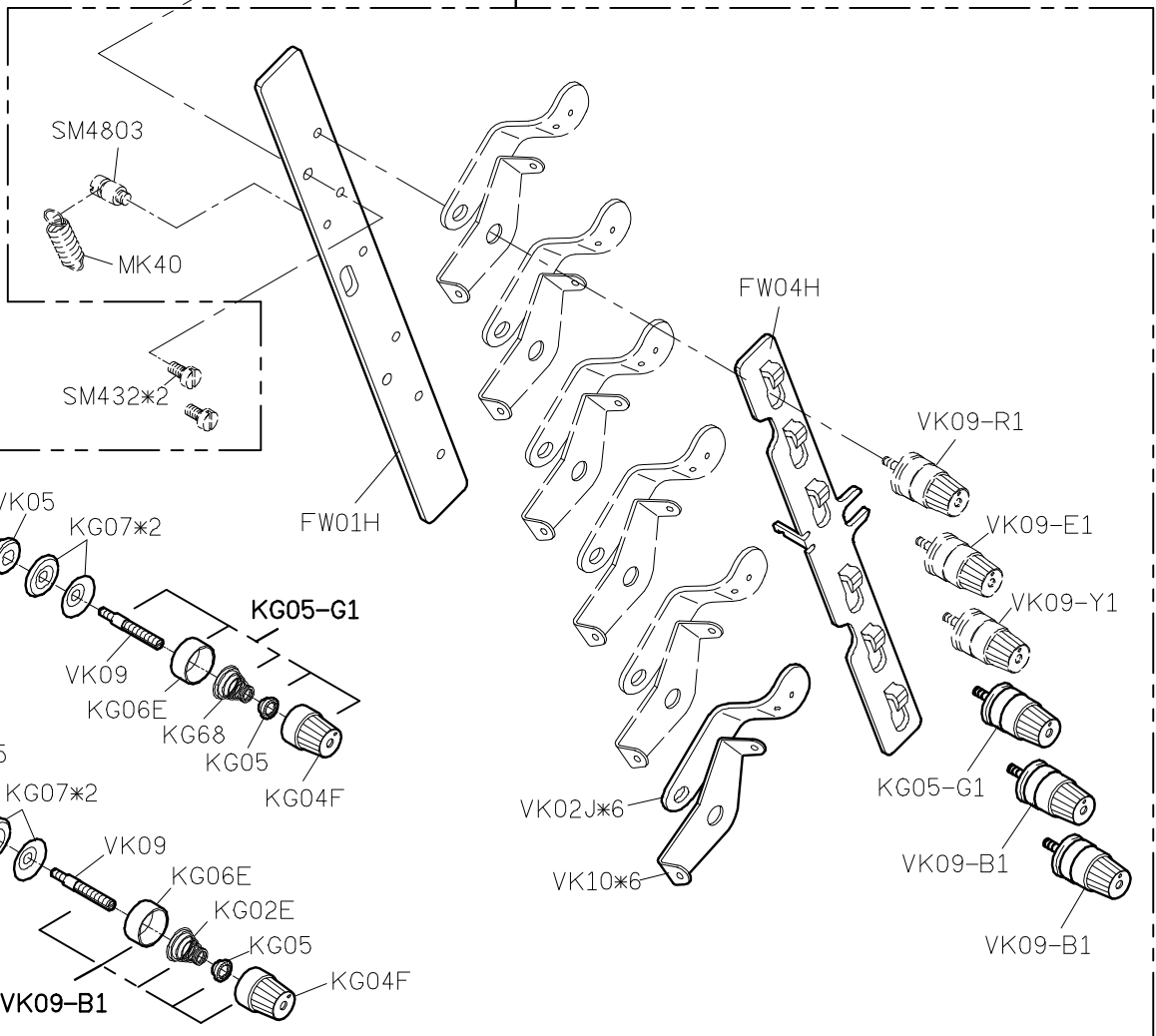
D

E

FW05J-A



FW01J-A



1

2

3

4

5

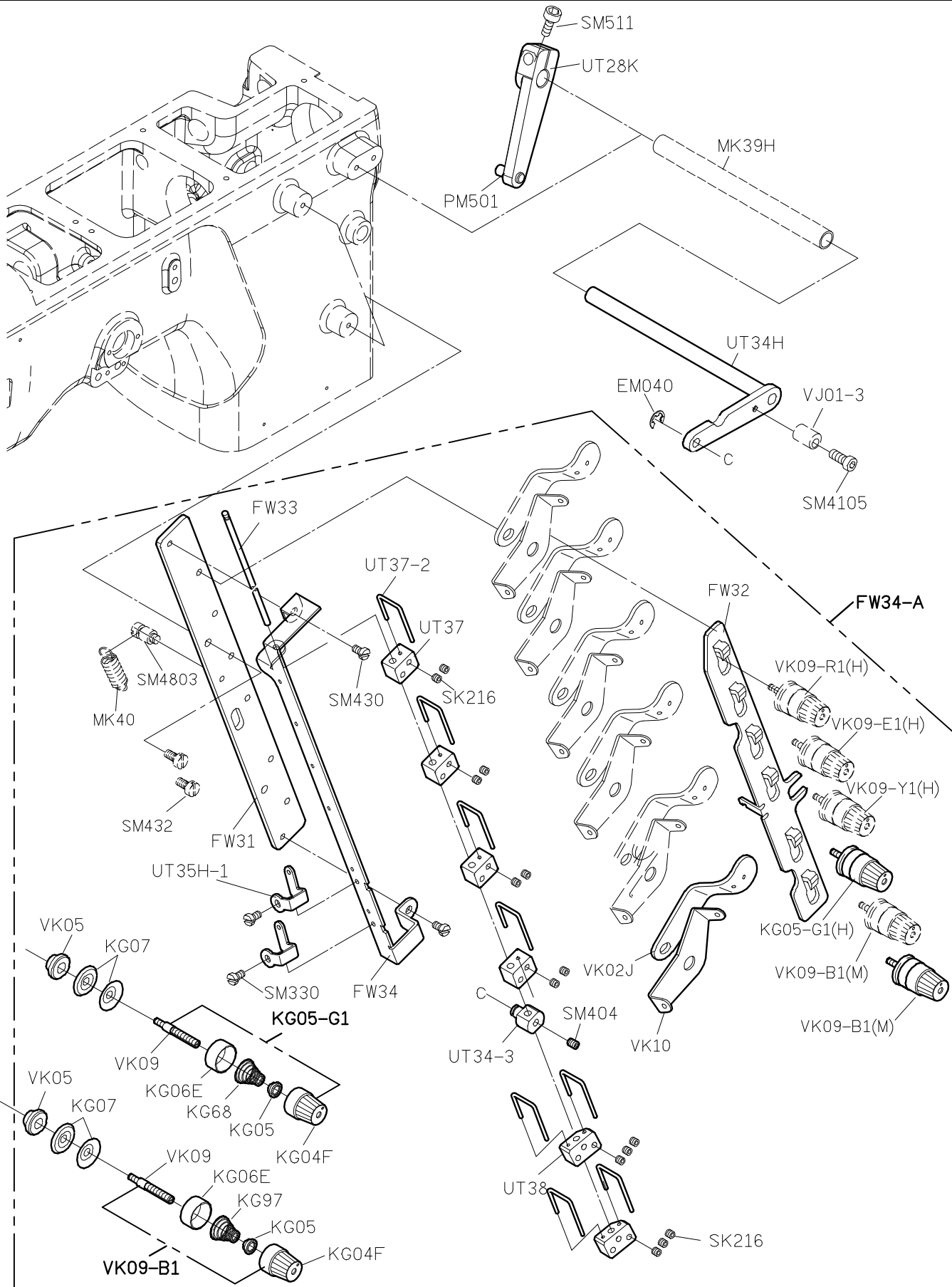
A

B

C

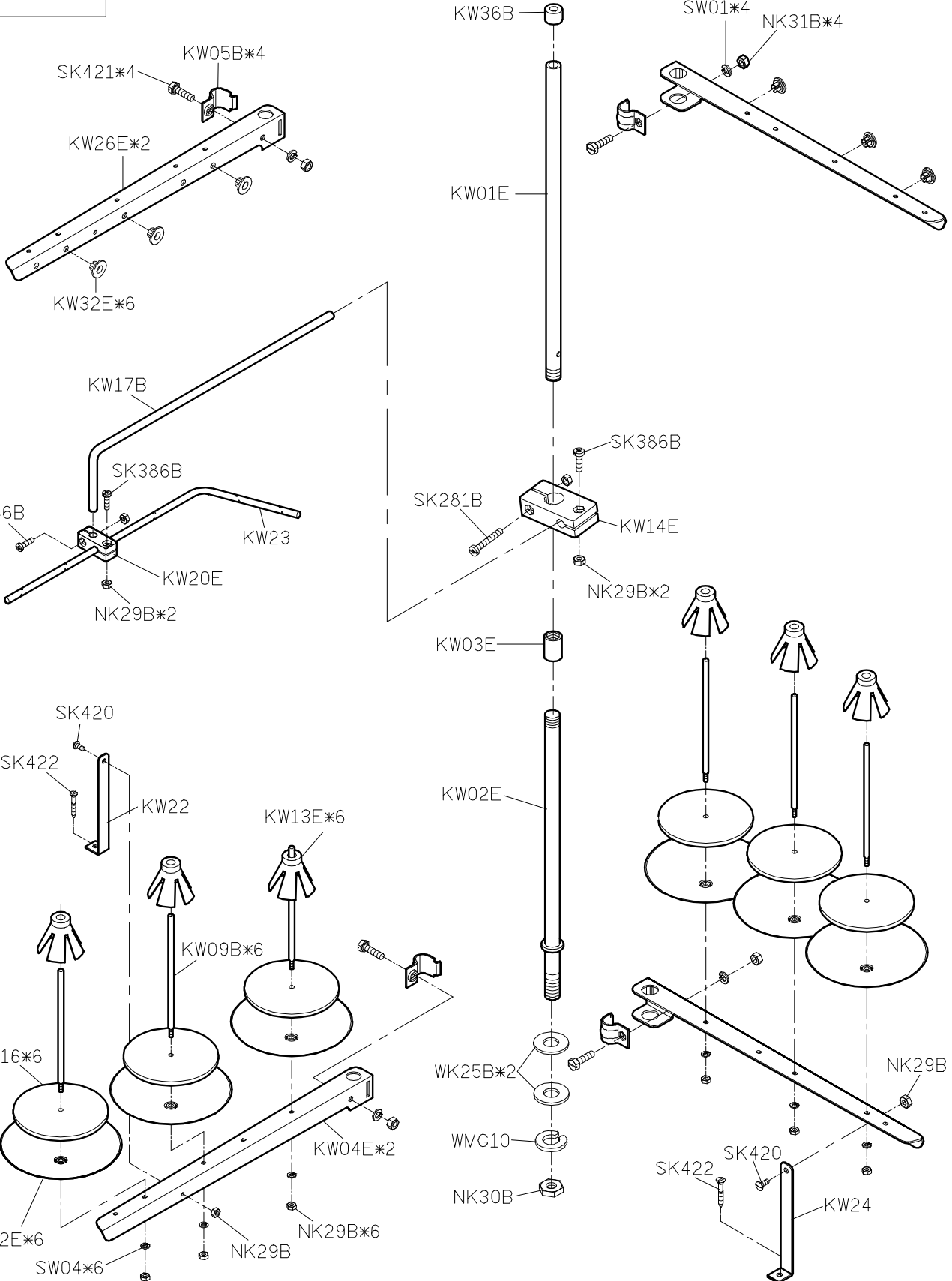
D

E





**KW40E-A3**



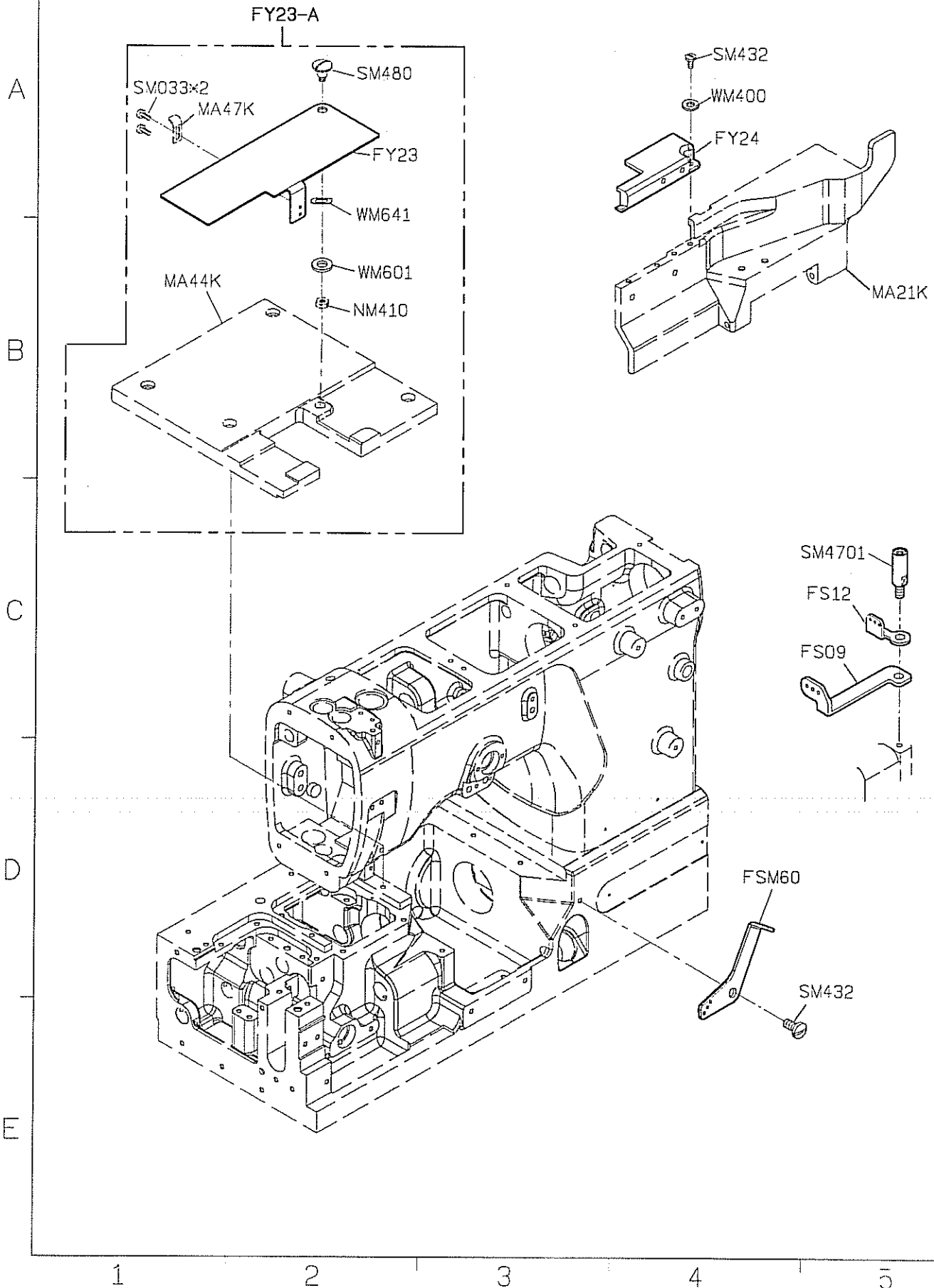
1

2

3

4

5



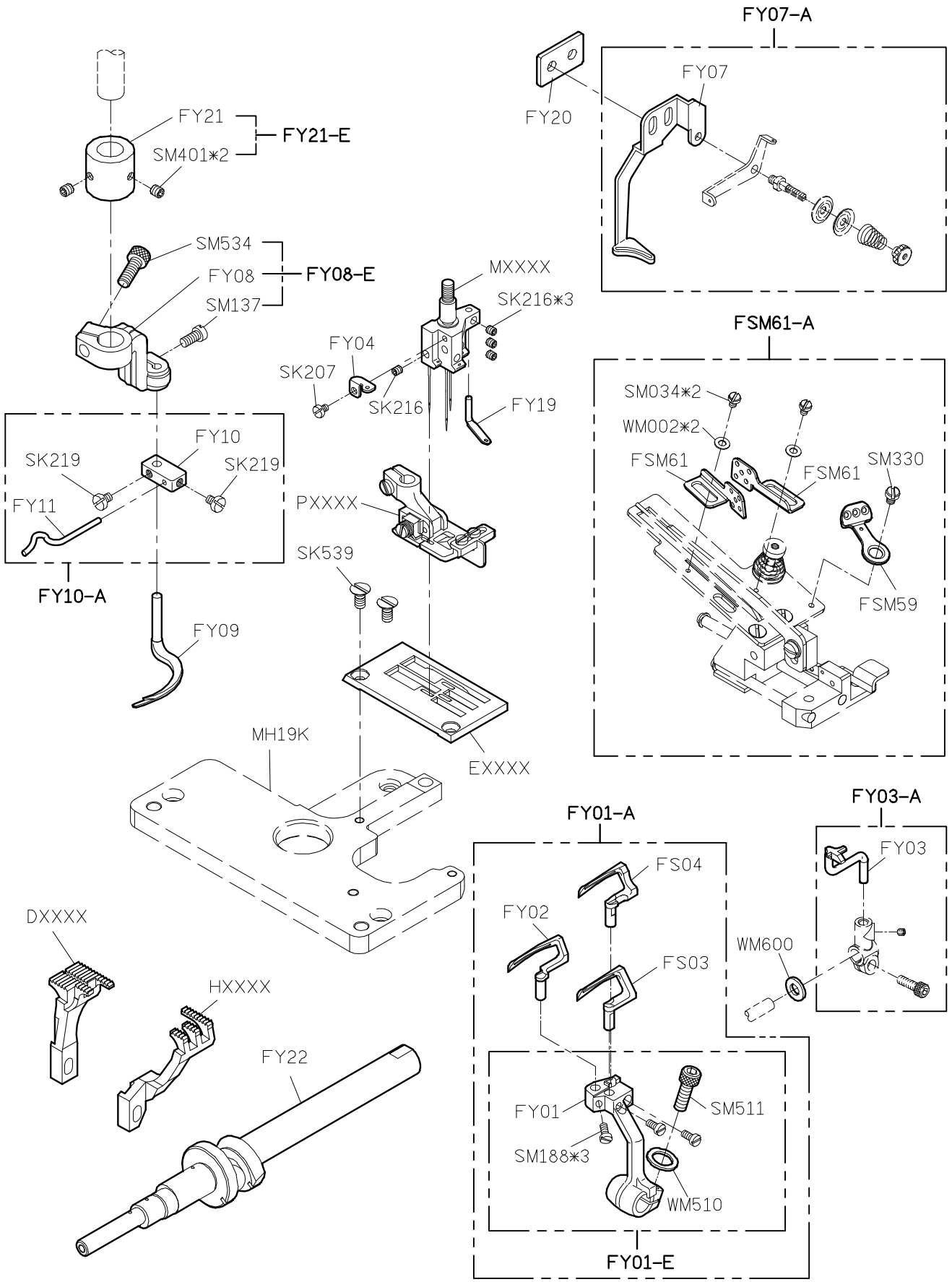
A

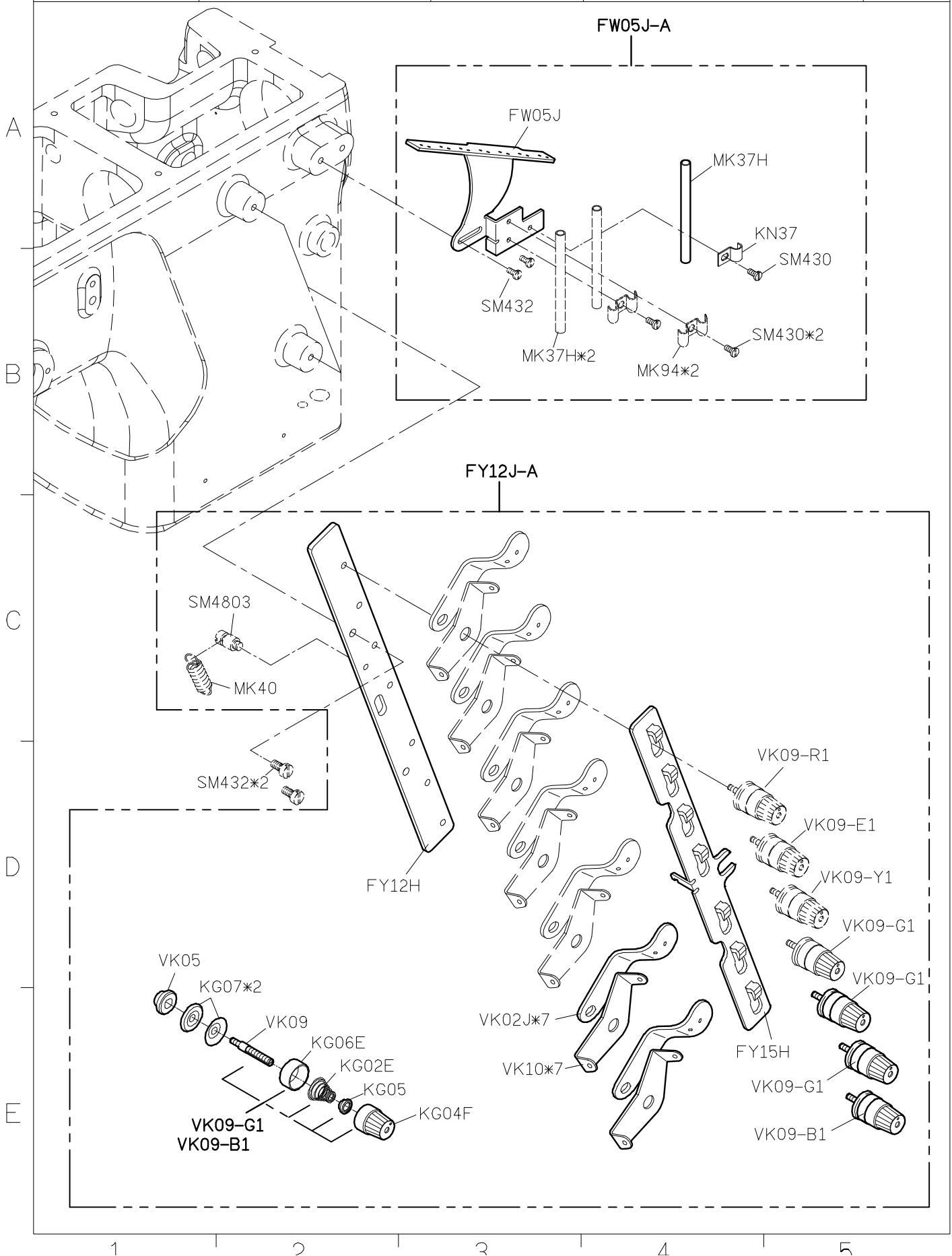
B

C

D

E





VZ03-A

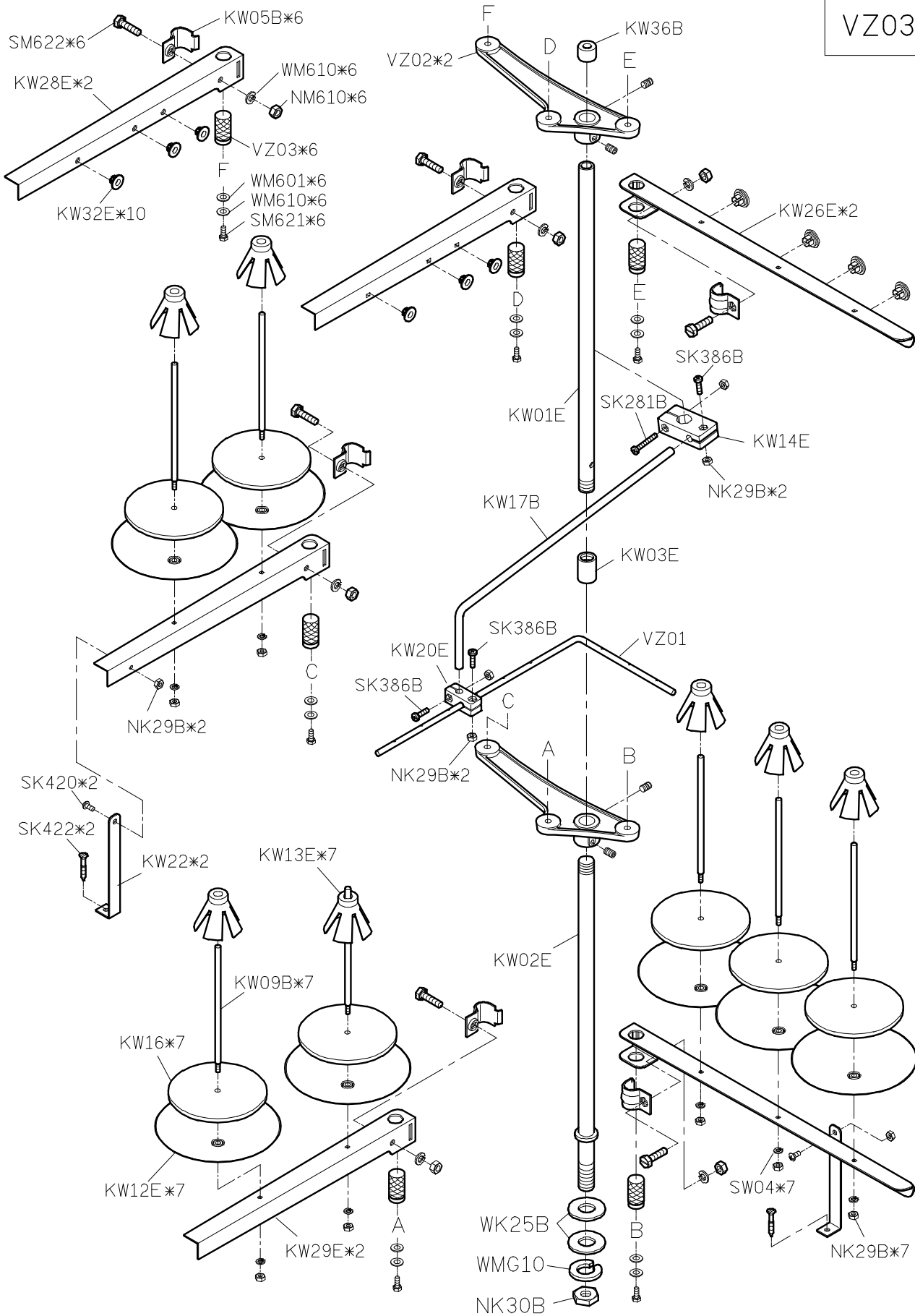
A

B

C

D

E



1

2

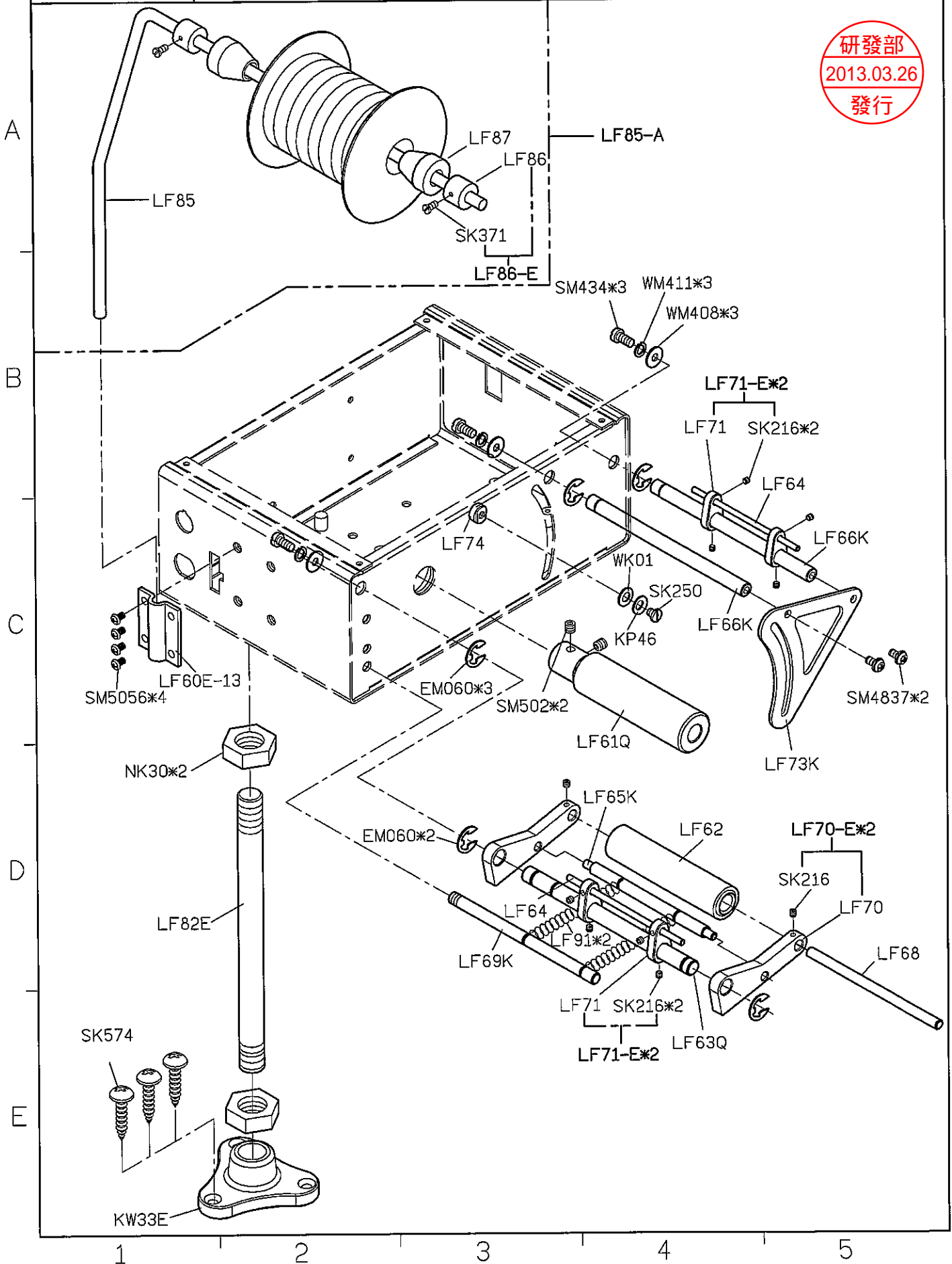
3

4

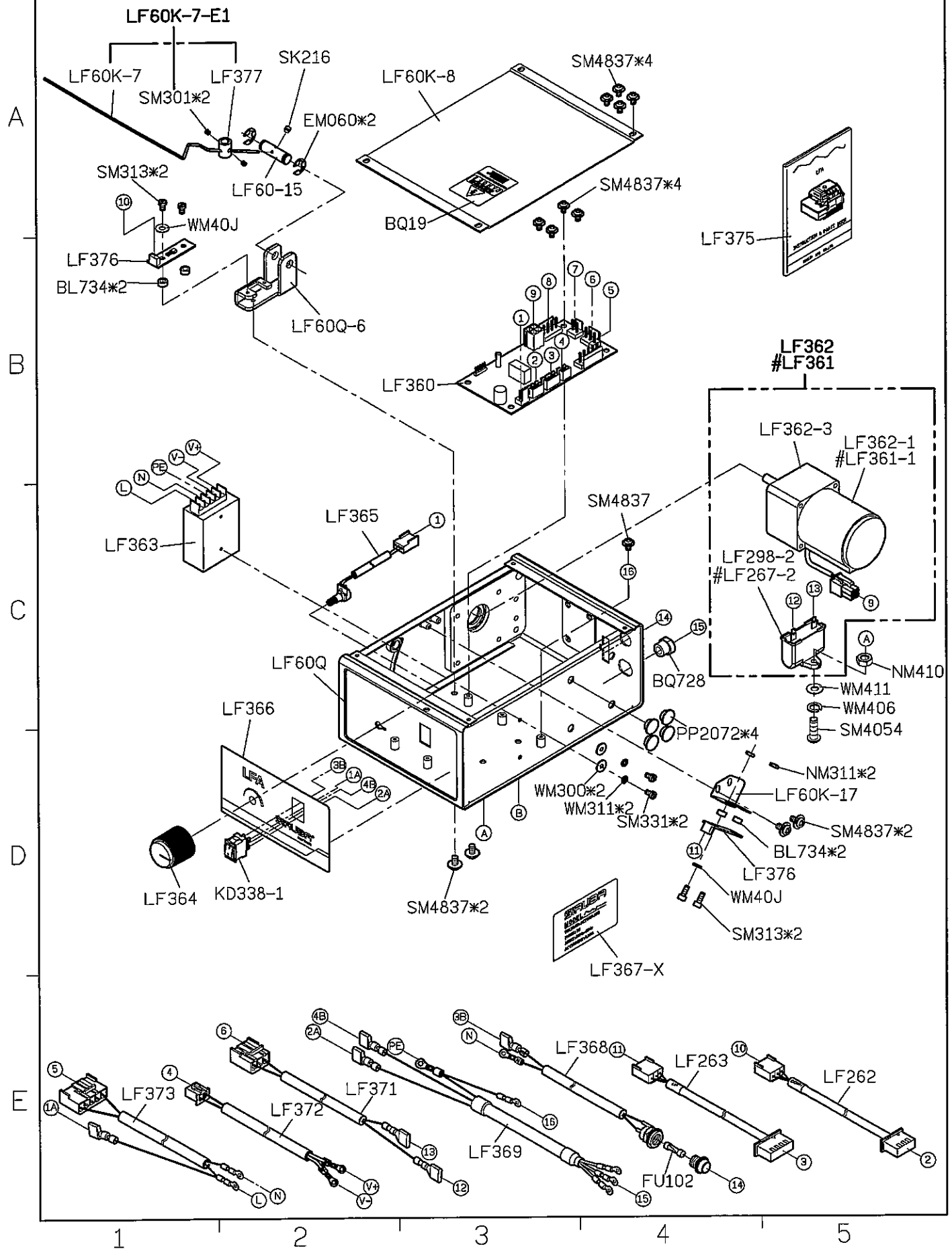
5

SIRUBA PARTS LIST	Series	Parts Group	Subclass / Remark	Page
	F007K/F007KD	LFA		1/3
	F858K/F858KD			Date
				2013/03/25

研發部  
 2013.03.26  
 發行



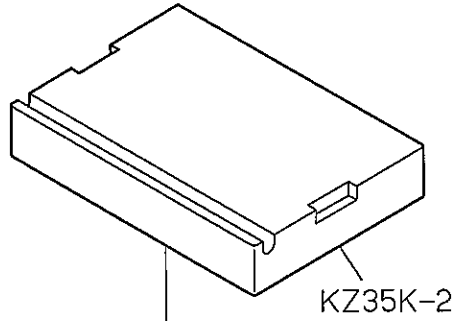
SIRUBA PARTS LIST	Series	Parts Group	Subclass / Remark	Page
	F007K/F007KD F858K/F858KD	LFA	#: Use for 110V	2/3
				Date 2013/07/01



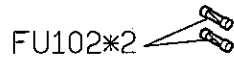
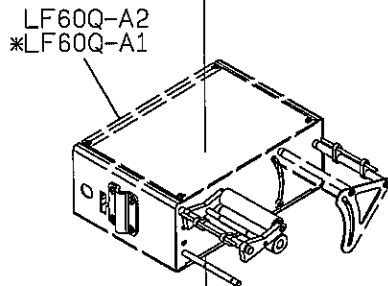
SIRUBA PARTS LIST	Series	Parts Group	Subclass / Remark	Page
	F007K/F007KD	LFA		3/3
	F858K/F858KD			Date
		2013/03/25		

研發部  
 2013.03.26  
 發行

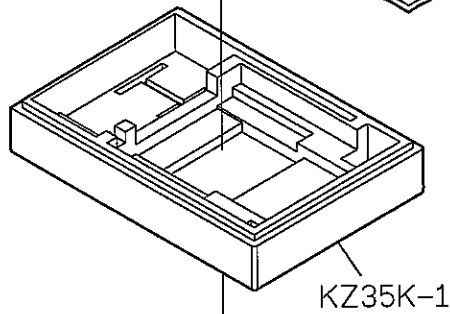
A



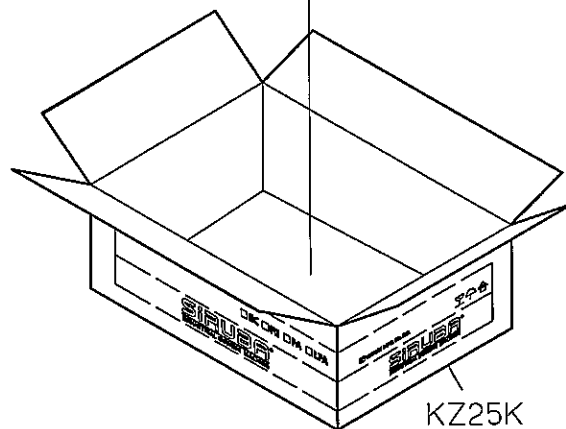
B



C



D



E

1

2

3

4

5



**SIRUBA**

PARTS LIST

Series

F007K/F007KD  
F858K/F858KD

Parts Group

**LFAK**

Subclass / Remark

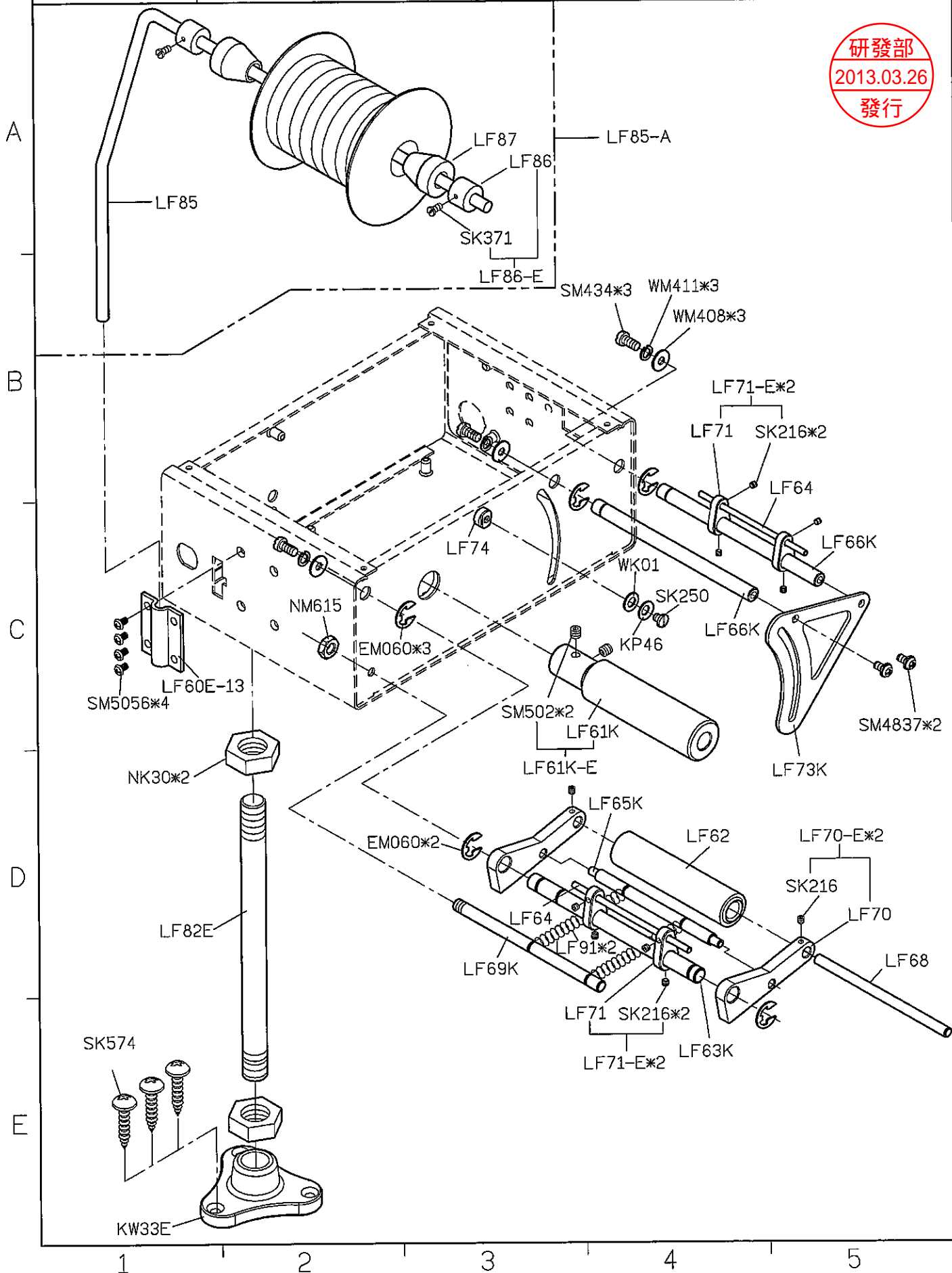
Page

1/3

Date

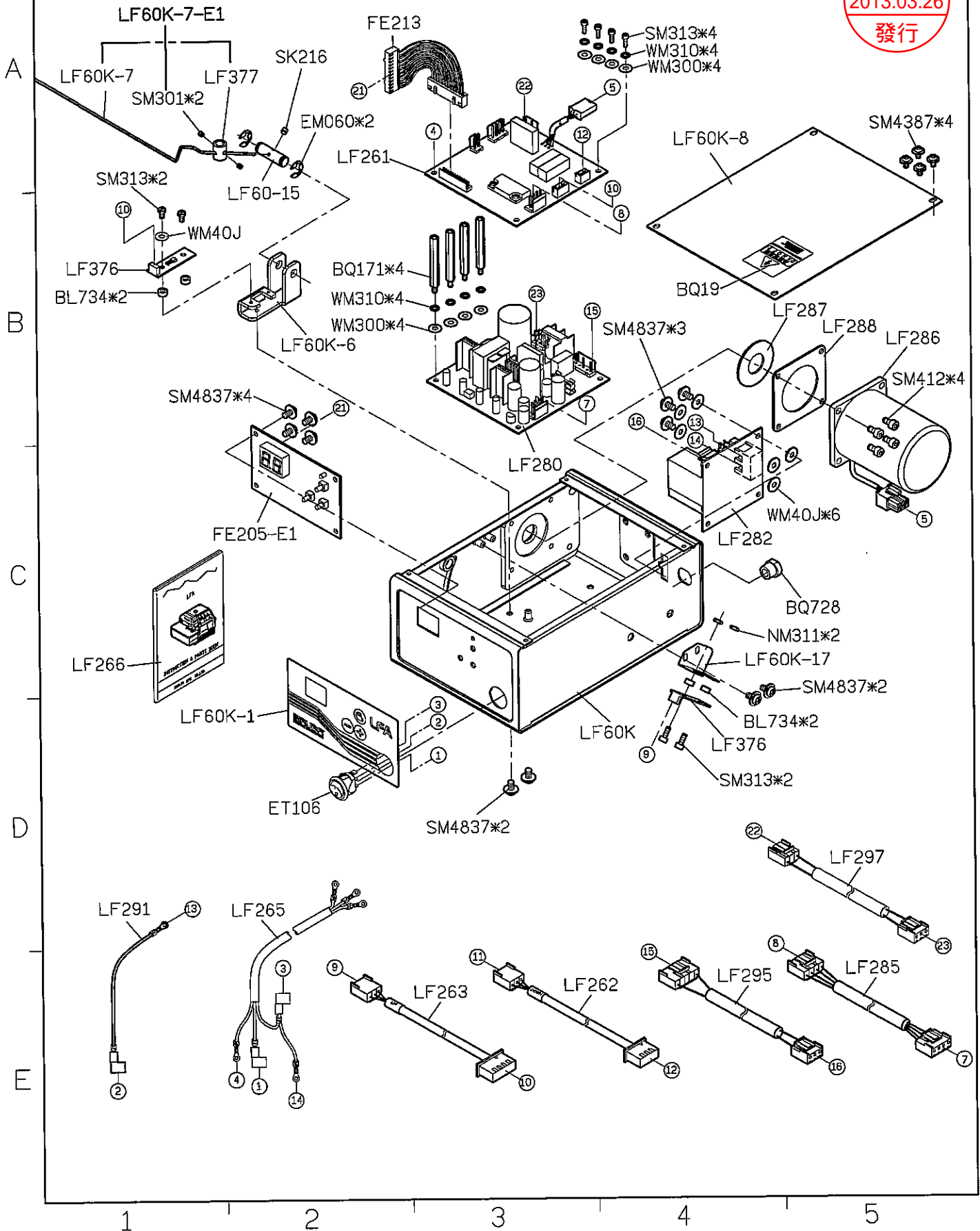
2013/03/25

研發部  
2013.03.26  
發行



SIRUBA PARTS LIST	Series F007K/F007KD F858K/F858KD	Parts Group LFAK	Subclass / Remark *:Use for LFRK-D1/LFRK-D2	Page 2/3 Date 2013/03/25
----------------------	--	---------------------	--	-----------------------------------

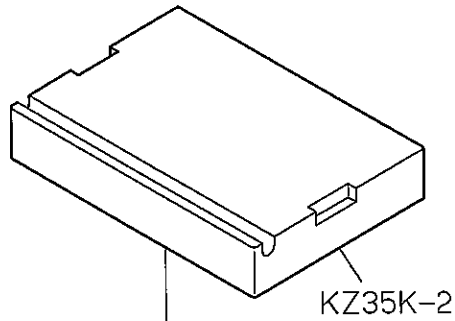
研發部  
 2013.03.26  
 發行



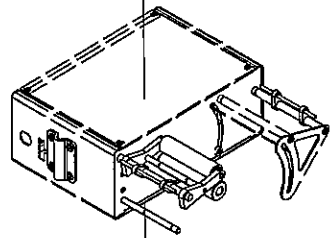
SIRUBA PARTS LIST	Series	Parts Group	Subclass / Remark	Page
	F007K/F007KD	LFAK		3/3
	F858K/F858KD			Date
				2013/03/25

研發部  
 2013.03.26  
 發行

A



B

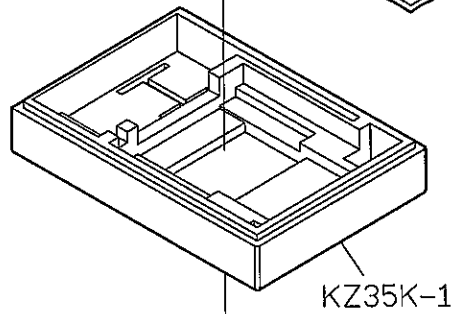


FU102\*2

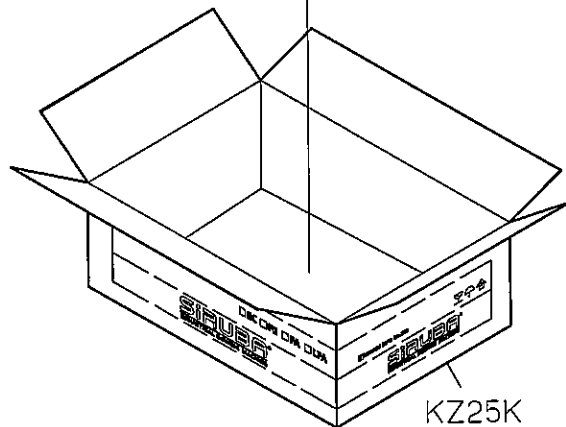
KZ03



C



D



E

1

2

3

4

5

UT780-A(1/2)

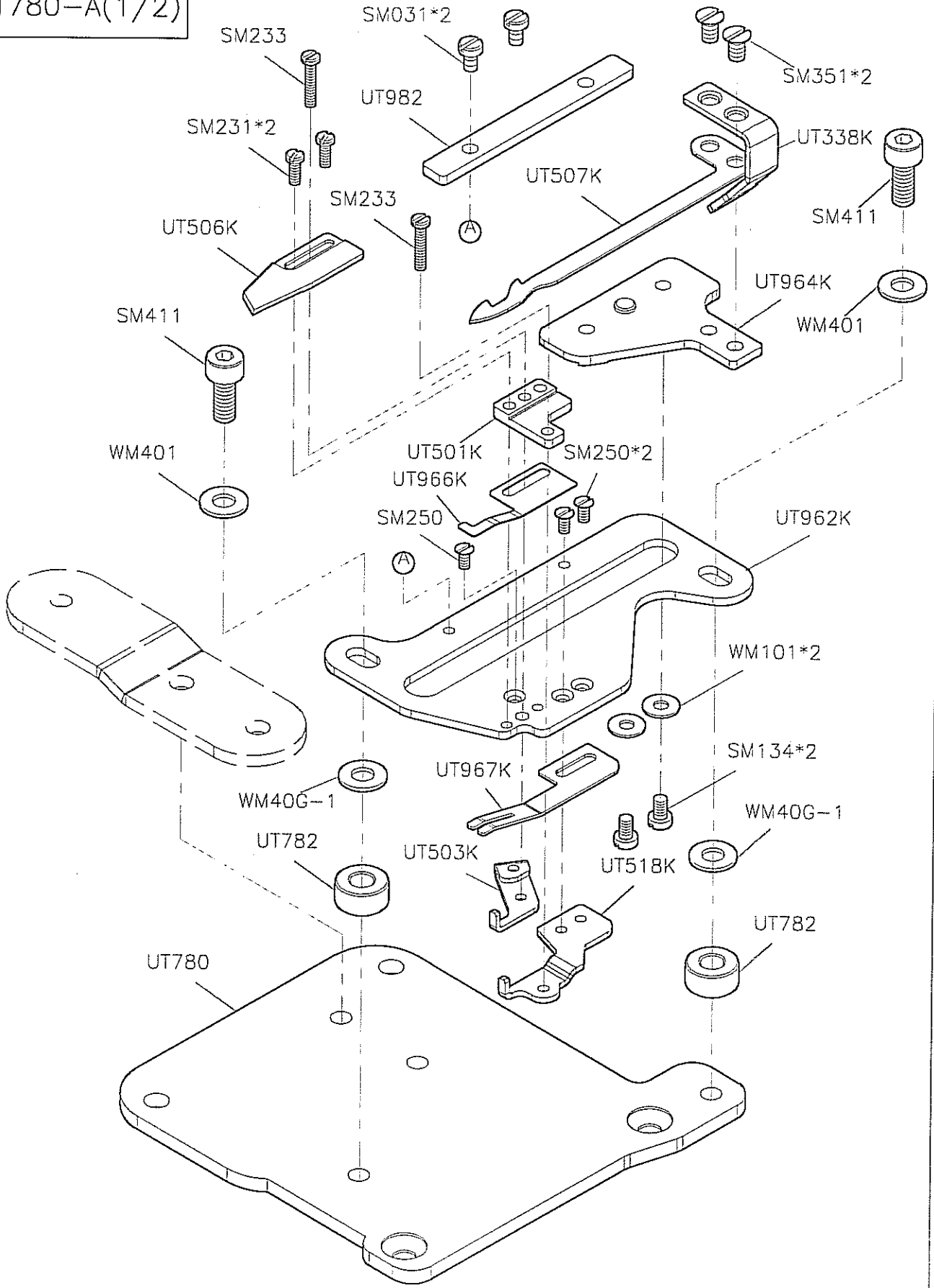
A

B

C

D

E



1

2

3

4

5

**SIRUBA**

PARTS LIST

Series

F007K/F007KD  
F858K/F858KD

Parts Group

UTG(UTH)-K

Subclass / Remark

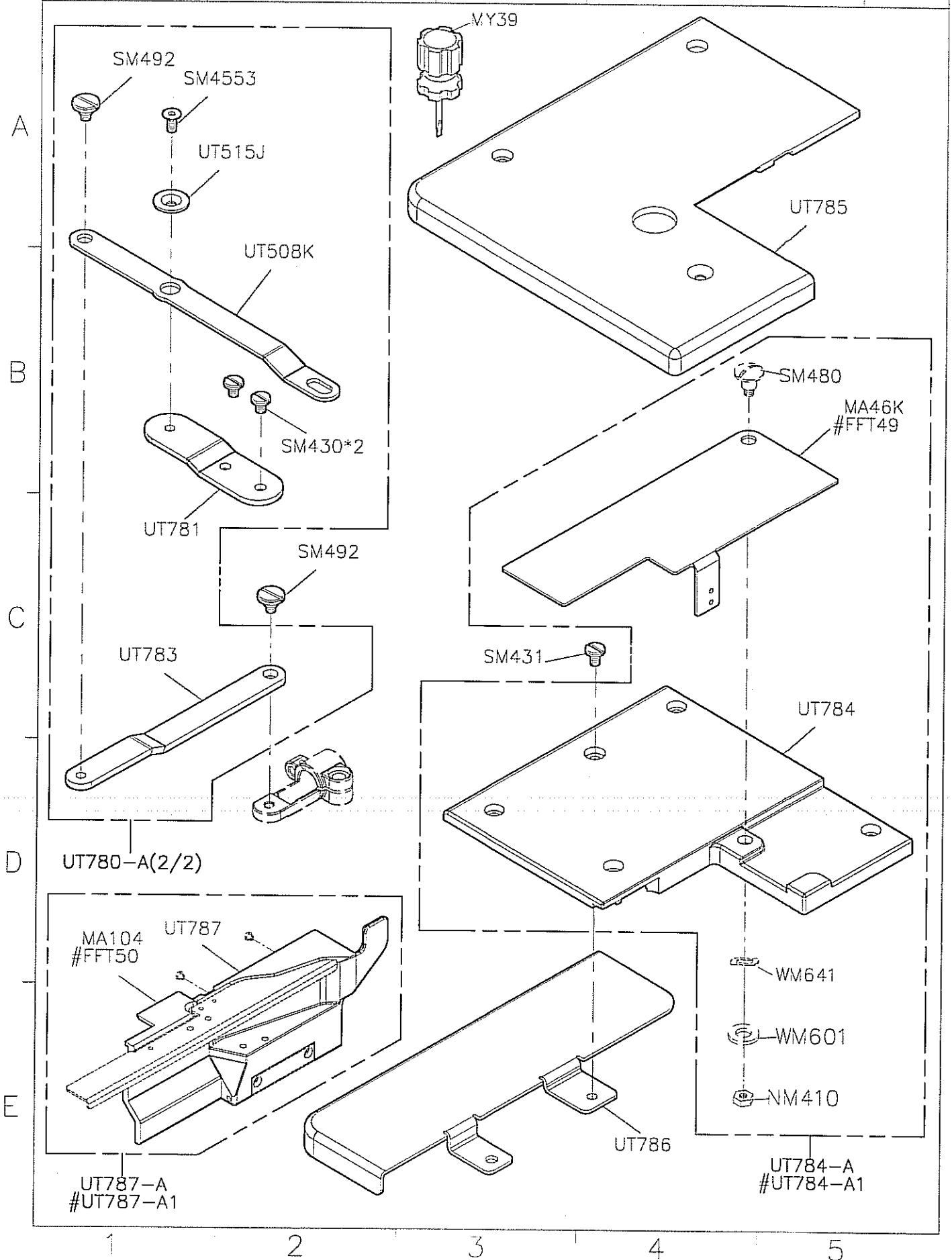
#Use for F007KD/F858KD/FFT

Page

2/12

Date

2013/08/21



**SIRUBA**

PARTS LIST

Series

F007K/F007KD  
F858K/F858KD

Parts Group

UTG(UTH)-K

Subclass / Remark

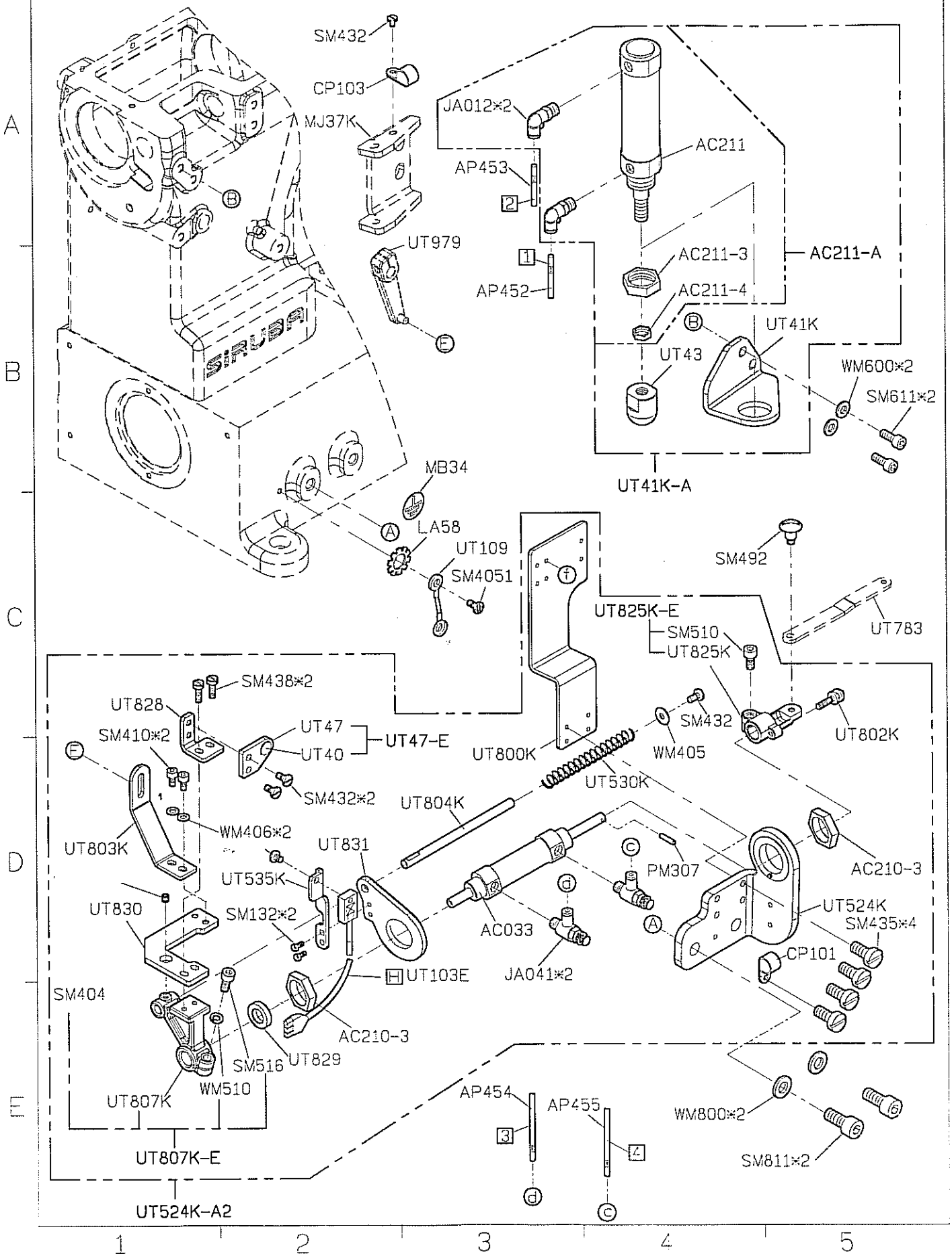
☐ : For H brand motor

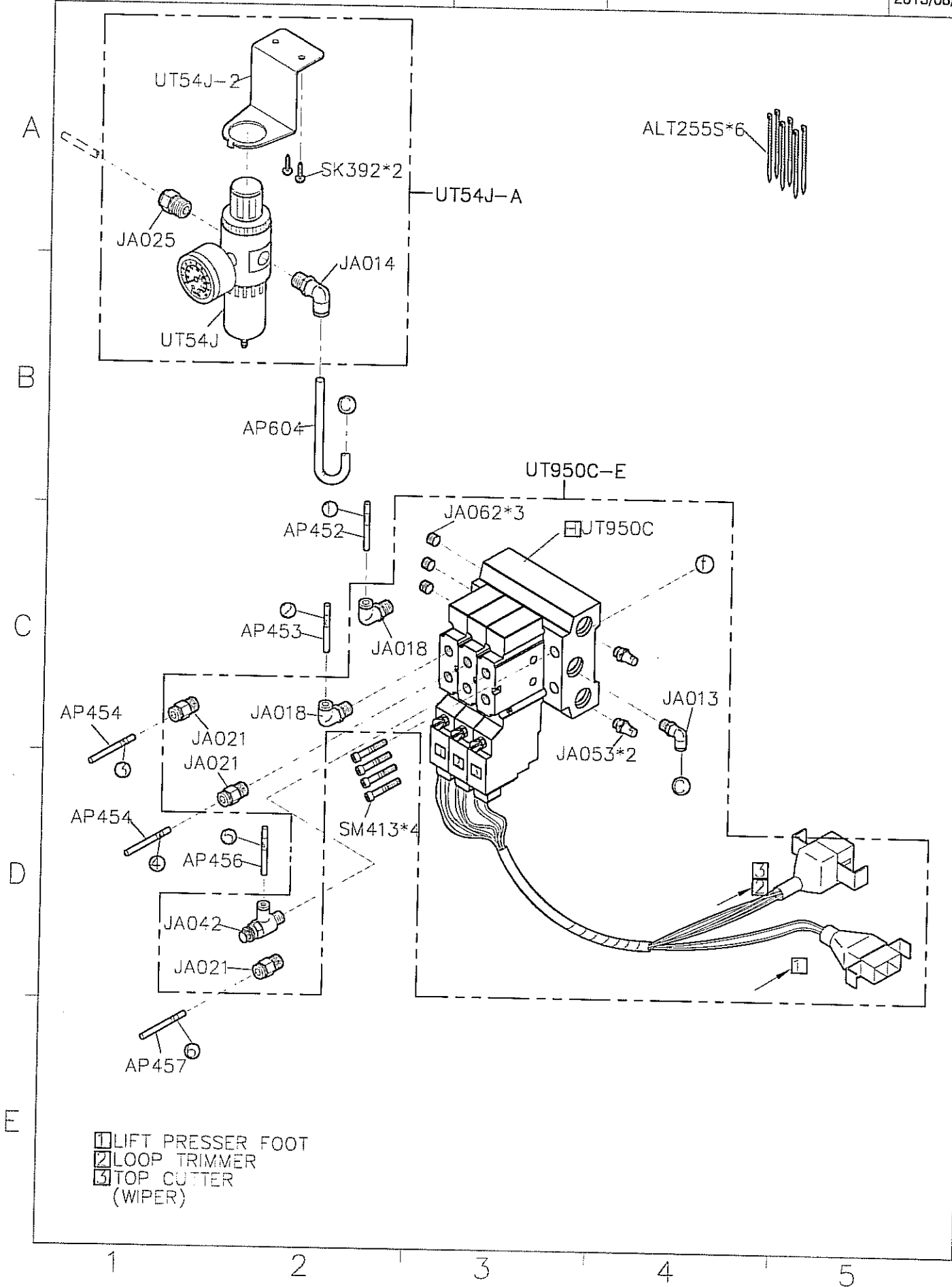
Page

3/12

Date

2013/08/06

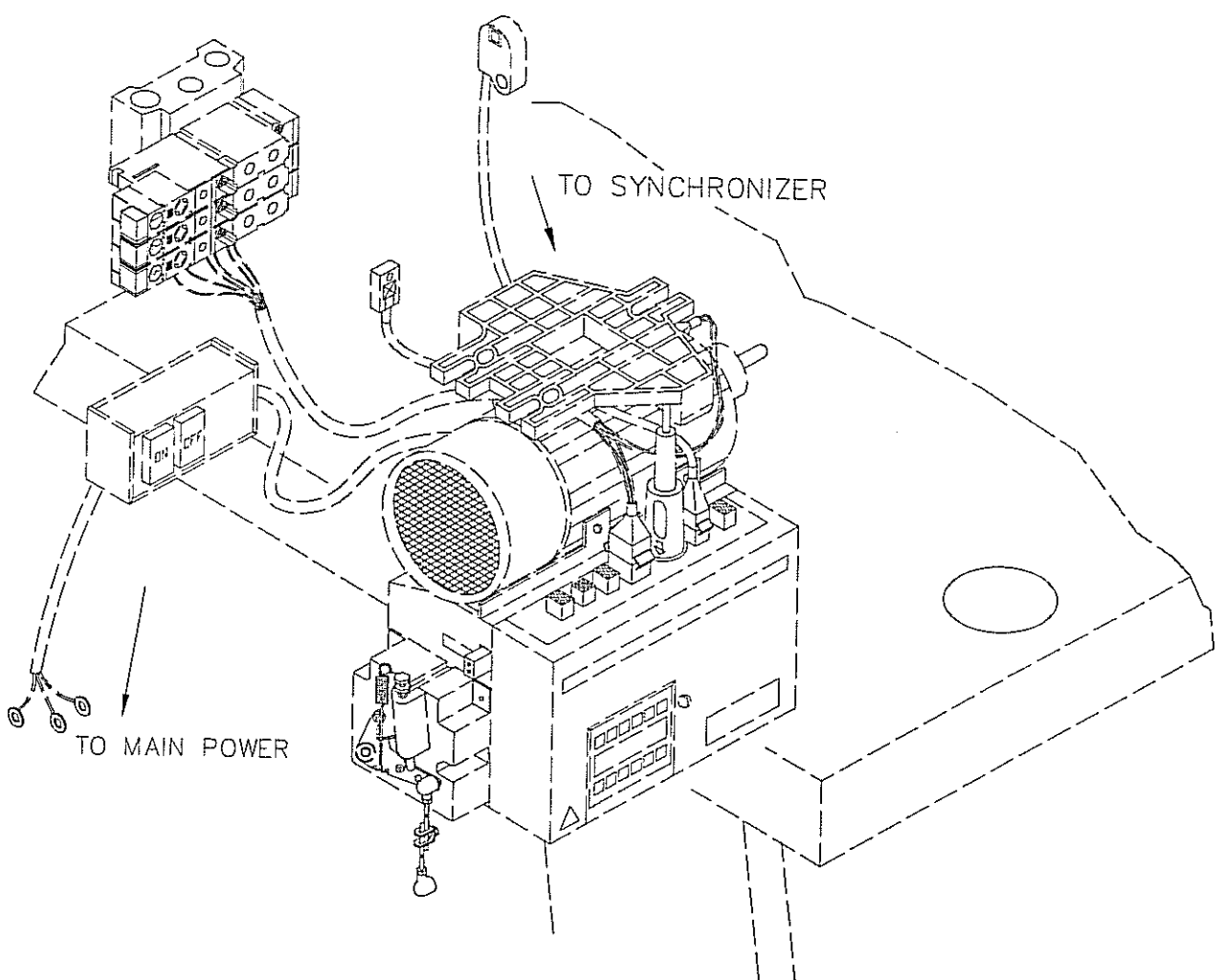




- 1 LIFT PRESSER FOOT
- 2 LOOP TRIMMER
- 3 TOP CUTTER (WIPER)

<b>SIRUBA</b> PARTS LIST	Series	Parts Group	Subclass / Remark	Page
	F007K/F007KD	UTG(UTH)-K	For F007K/F858K	5/12
	F858K/F858KD			Date
				2013/08/06

A  
B  
C  
D  
E



1 2 3 4 5



**SIRUBA**

PARTS LIST

Series

F007K/F007KD

F858K/F858KD

Parts Group

UTG(UTH)-K

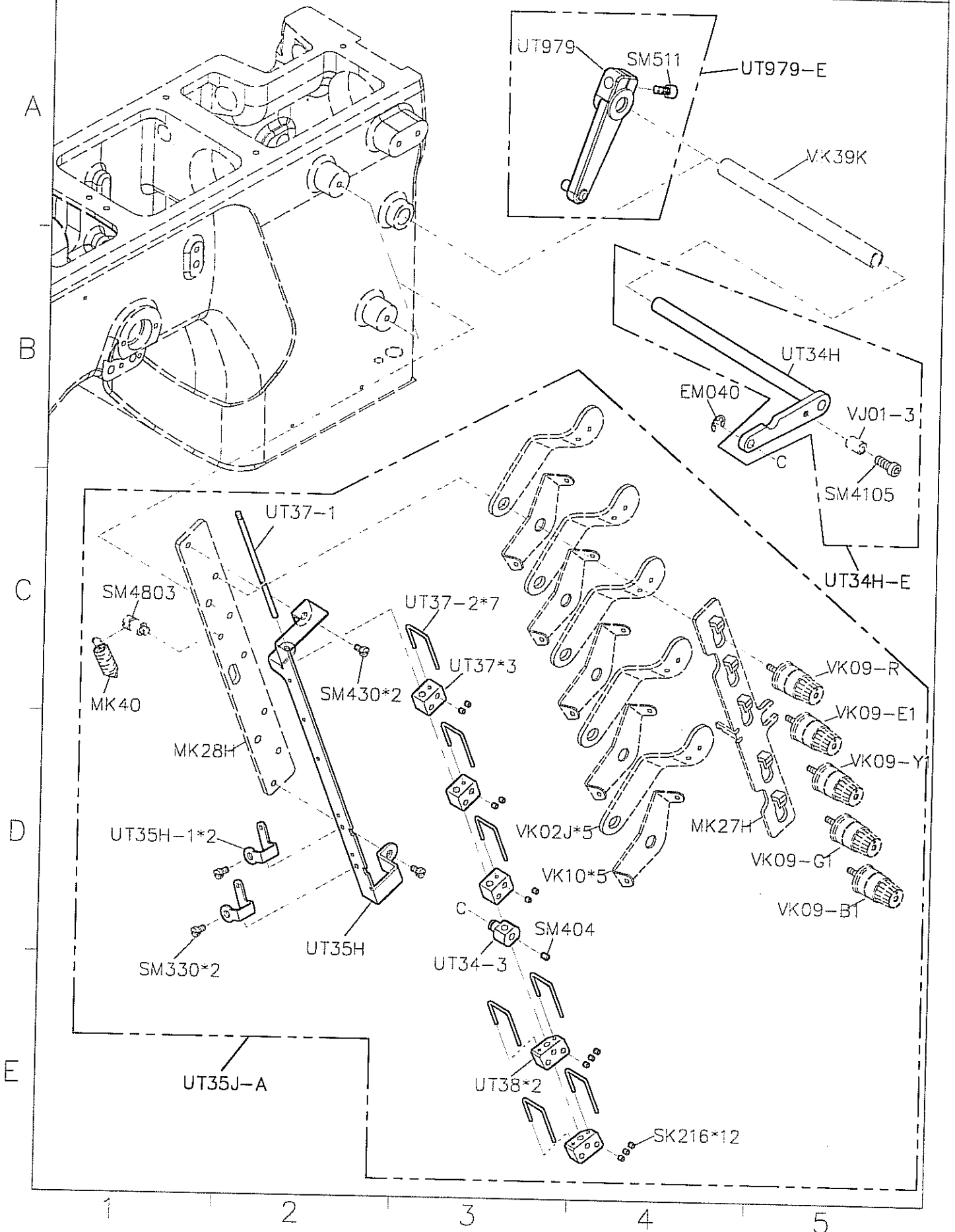
Subclass / Remark

Page

6/12

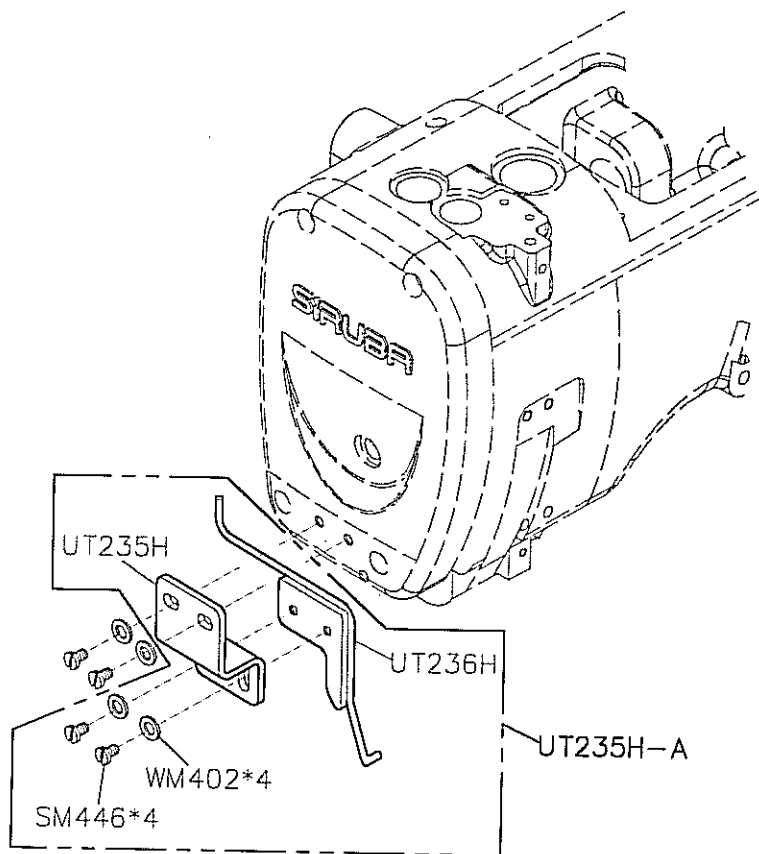
Date

2013/08/06

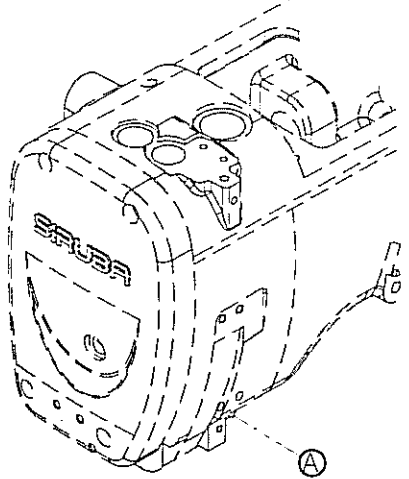


<b>SIRUBA</b> PARTS LIST	Series	Parts Group	Subclass / Remark	Page
	F007K/F007KD	UTH-K		7/12
	F858K/F858KD			Date
				2013/08/06

FOR LEFT SIDE



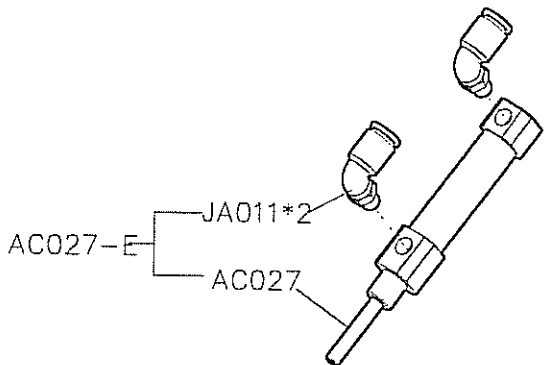
<b>SIRUBA</b> PARTS LIST	Series	Parts Group	Subclass / Remark	Page
	F007K/F007KD	UTH-K1	For allocation	8/12
	F858K/F858KD			Date



A

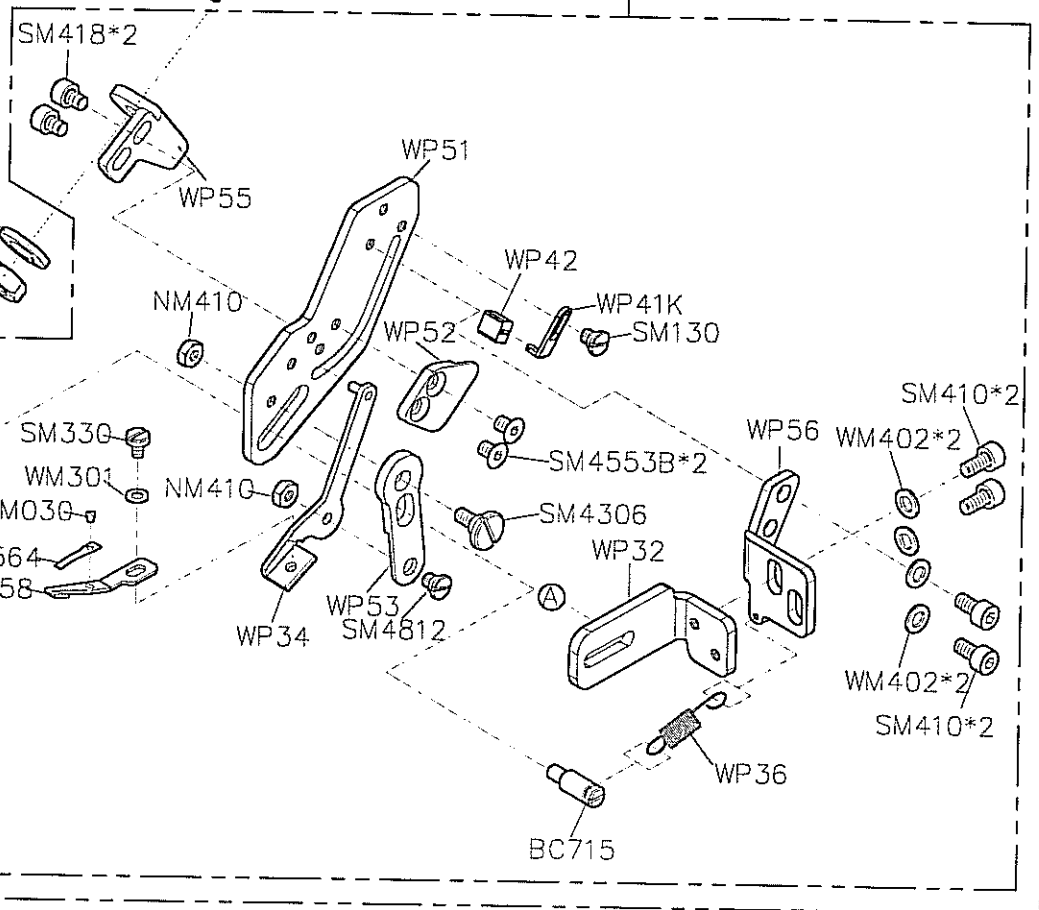
WP51-A1

B



WP51-A

C

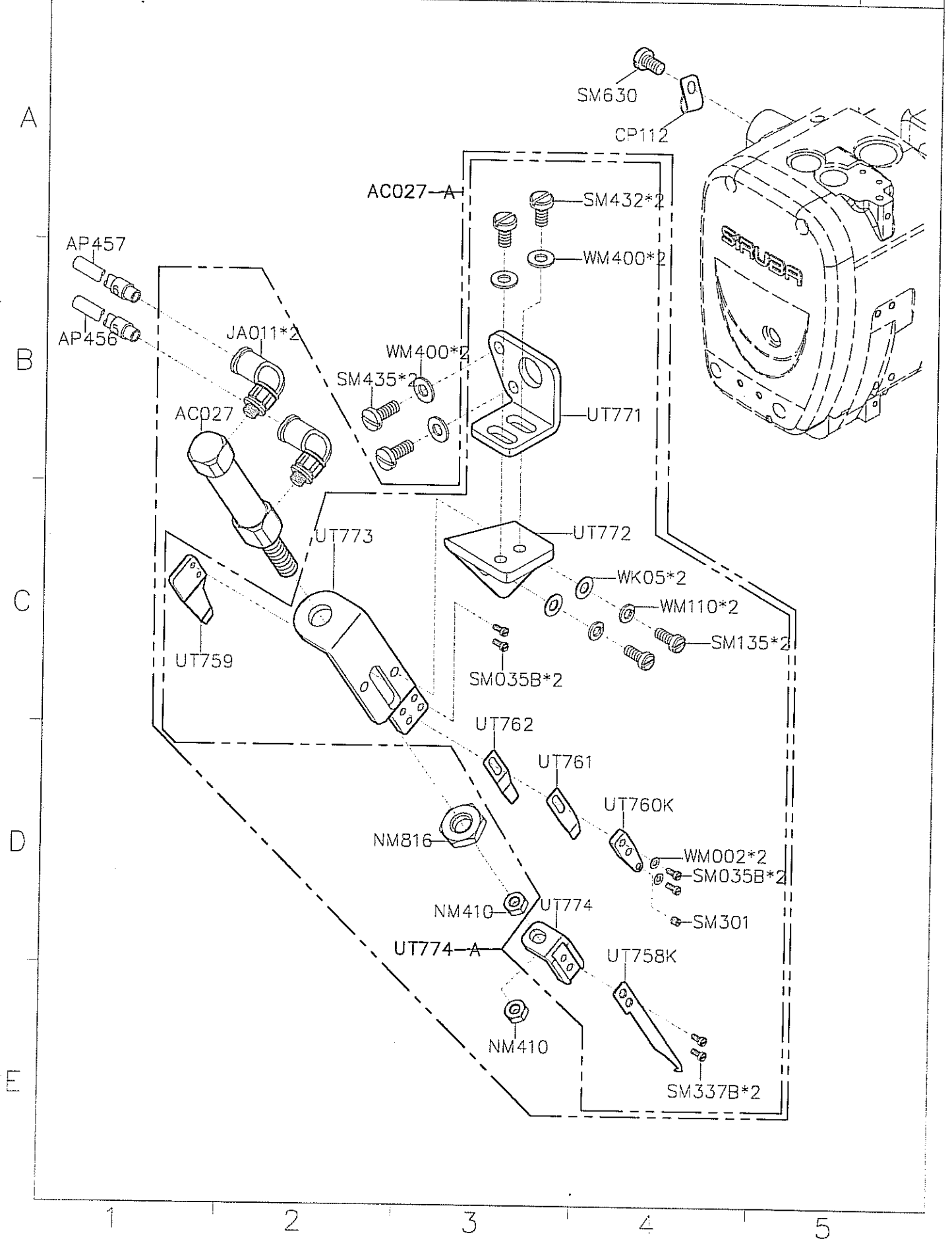


D

E

1 2 3 4 5

<b>SIRUBA</b>  PARTS LIST	Series	Parts Group	Subclass / Remark	Page
	F007K/F007KD	<b>UTG-K</b>		9/12
	F858K/F858KD		Date	
			2013/08/06	



**SIRUBA**

PARTS LIST

Series

F007K/F007KD  
F858K/F858KD

Parts Group

UTG(UTH)-K

Subclass / Remark

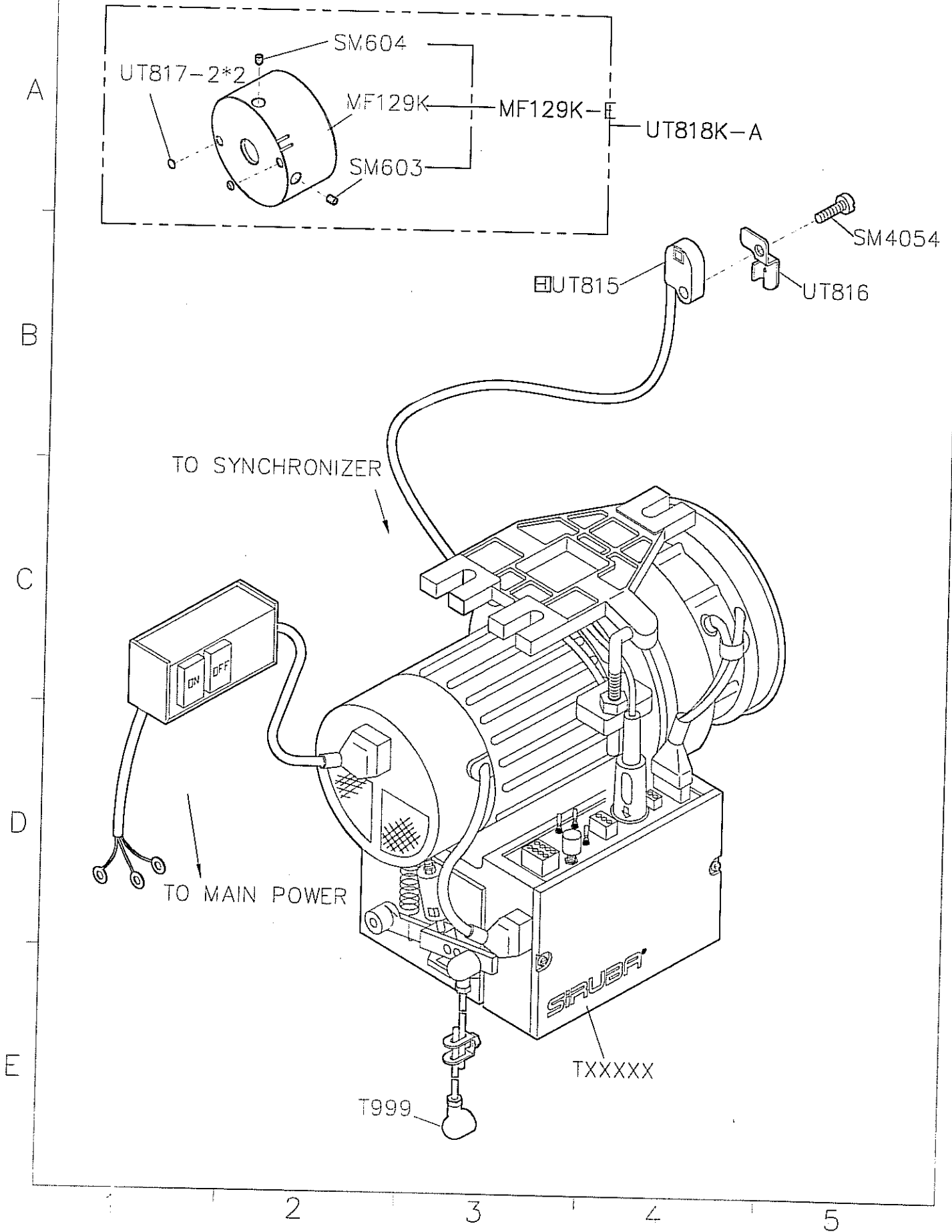
For F007K/F858K  
☐ : For H brand motor

Page

10/12

Date

2013/08/06



**SIRUBA**

PARTS LIST

Series

F007K/F007KD  
F858K/F858KD

Parts Group

UTG(UTH)-K

Subclass / Remark

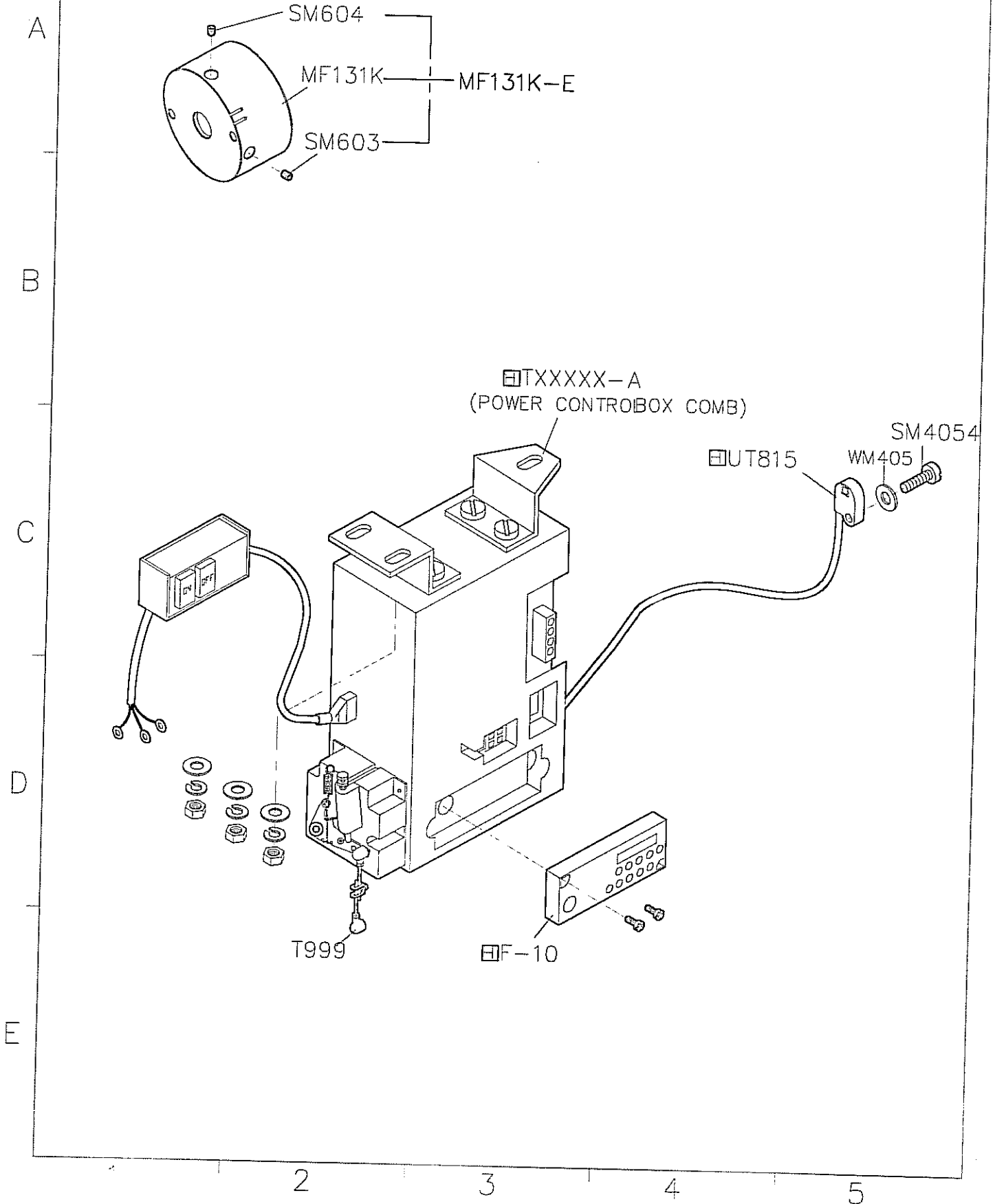
For F007KD/F858KD  
☐: For H brand motor(HVP-20)

Page

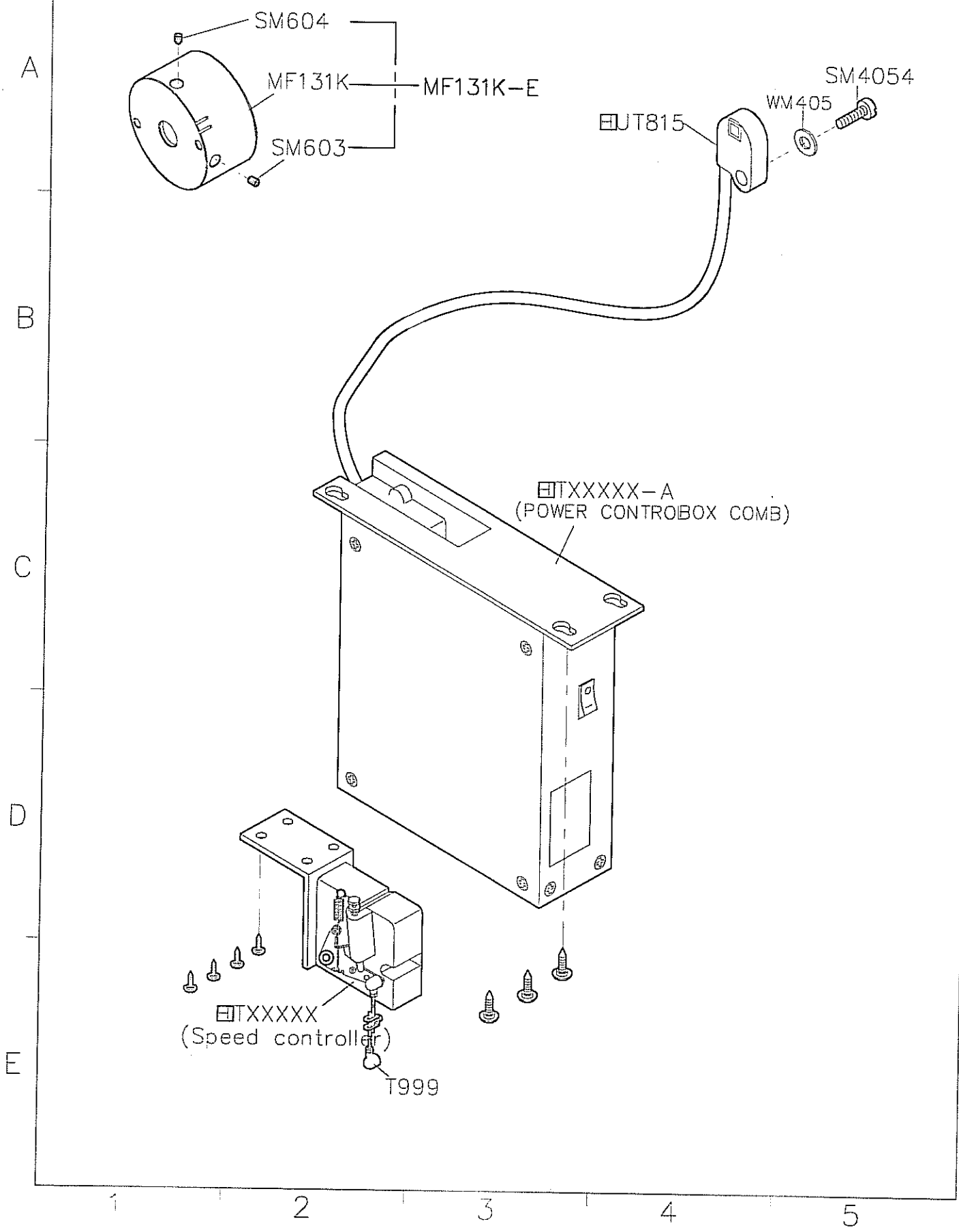
11/12

Date

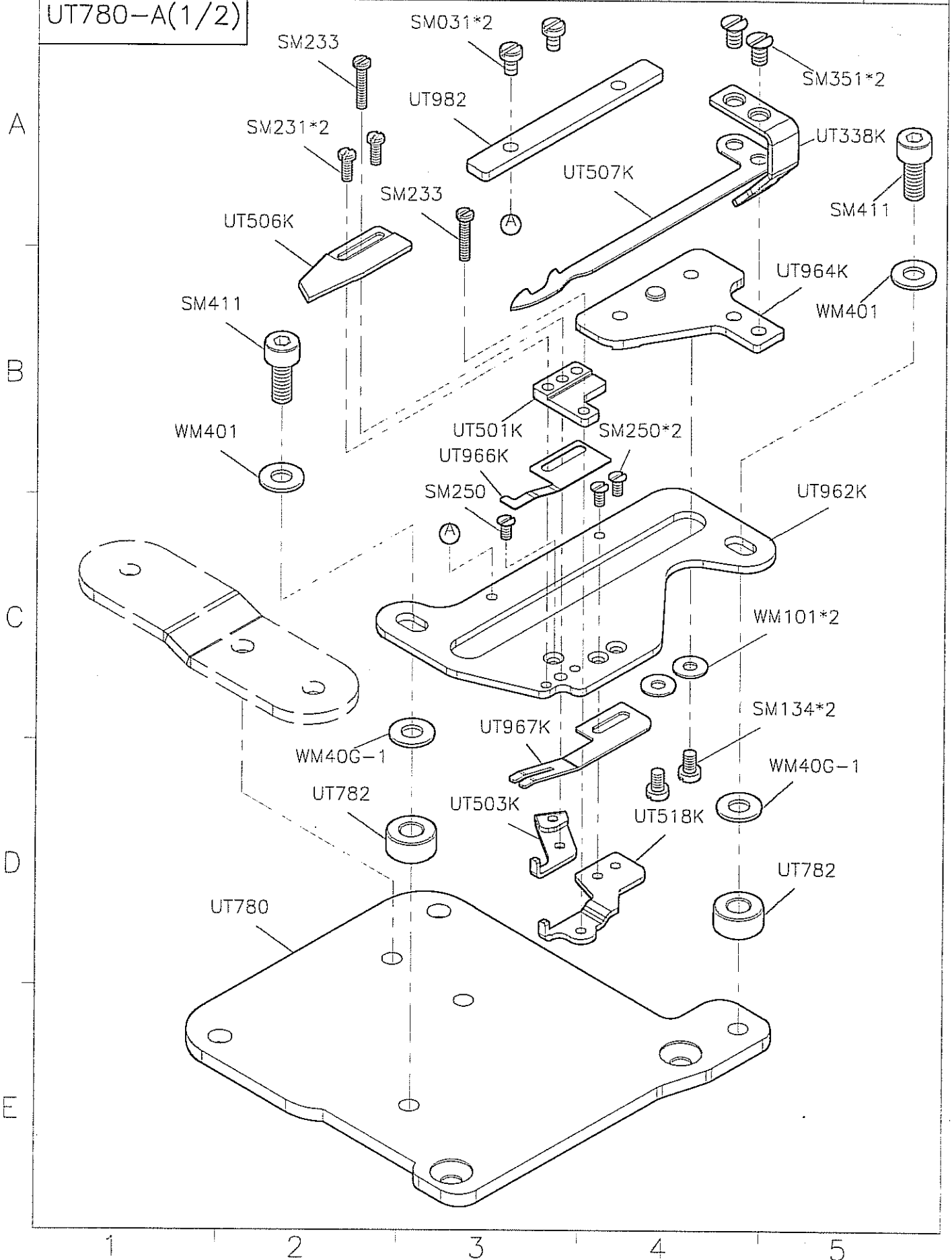
2012/10/31



<b>SIRUBA</b> PARTS LIST	Series	Parts Group	Subclass / Remark	Page
	F007K/F007KD F858K/F858KD	UTG(UTH)-K	For F007KD/F858KD ☐ For H brand motor(HVP-70)	12/12
				Date
				2013/08/06

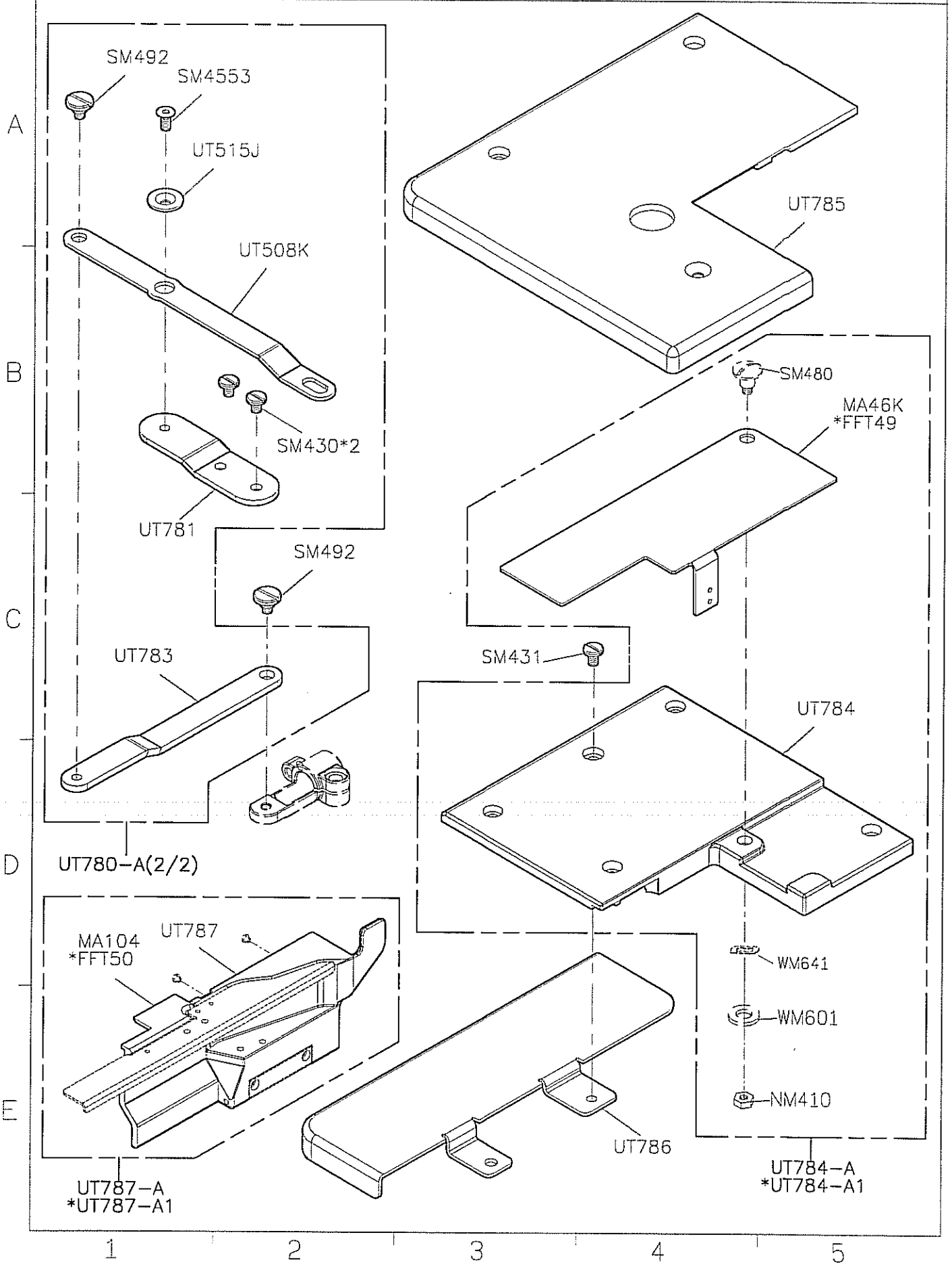


<b>SIRUBA</b> PARTS LIST	F007K/F007KD F858K/F858KD	Parts Group UTJ(UTK)-K	Subclass / Remark	Page 1/13
				Date 2013/08/15
	UT780-A(1/2)			





SIRUBA PARTS LIST	Series	Parts Group	Subclass / Remark	Page
	F007K/F007KD	UTJ(UTK)-K	#Use for F007KD/F858KD/FFT	2/13
	F858K/F858KD			Date
				2013/08/21



**SIRUBA**

PARTS LIST

Series

F007K/F007KD  
F858K/F858KD

Parts Group

UTJ(UTK)-K

Subclass / Remark

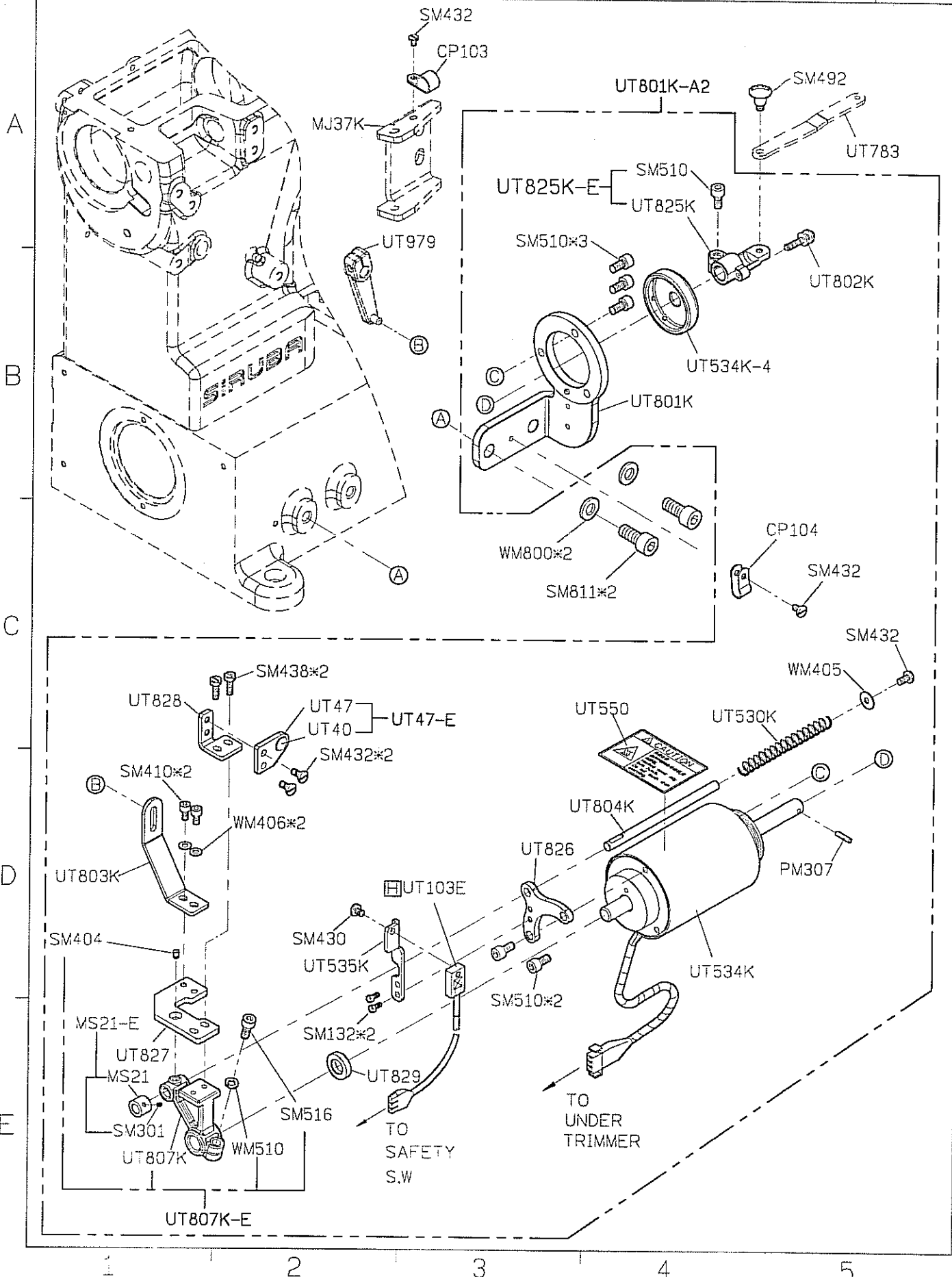
☐ : For H brand motor

Page

3/13

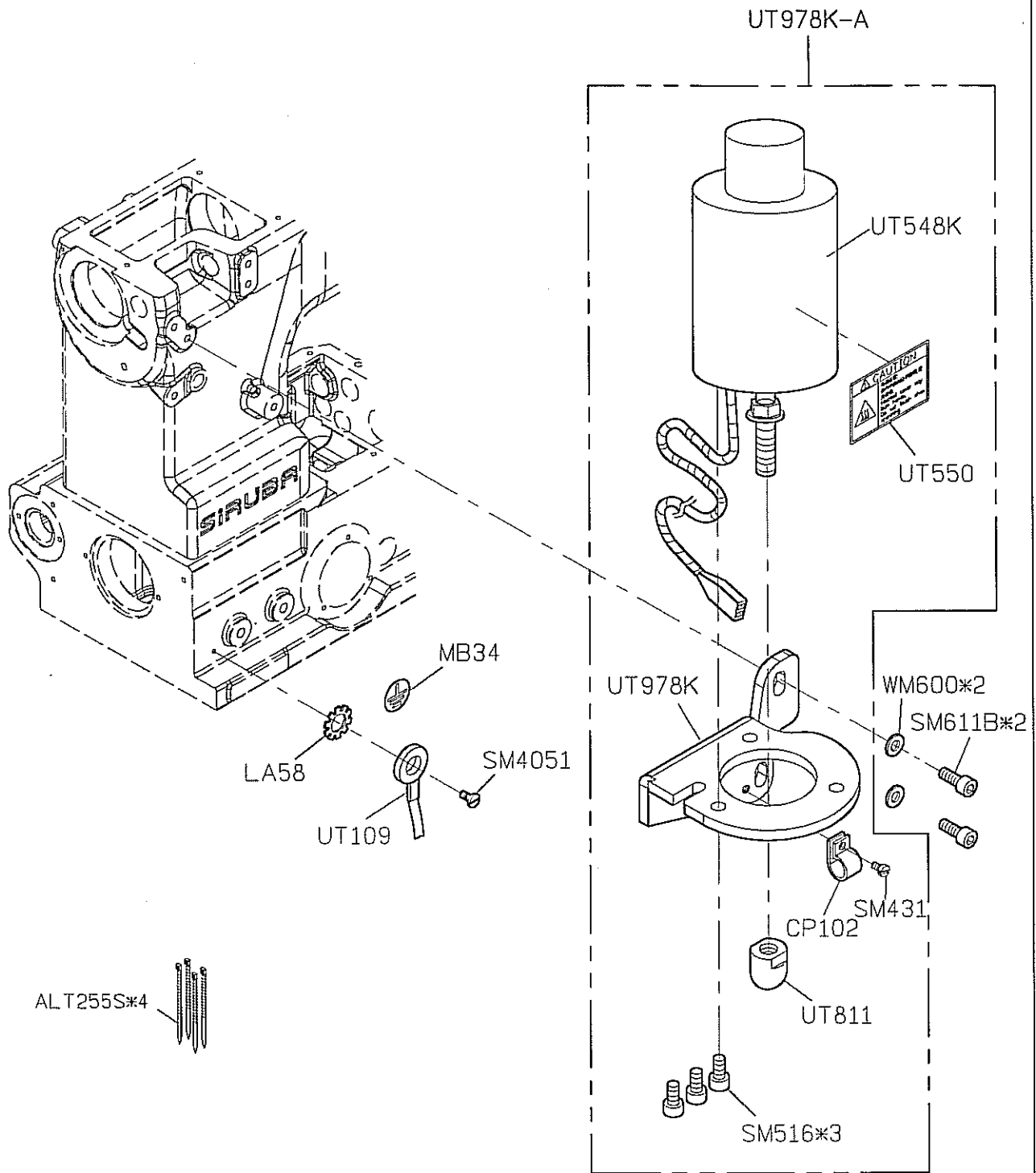
Date

2013/08/06



SIRUBA PARTS LIST	F007K/F007KD F858K/F858KD	Parts Group UTJ(UTK)-K	Subclass / Remark	Page 4/13 Date 2013/03/18
----------------------	------------------------------	---------------------------	-------------------	------------------------------------

A  
B  
C  
D  
E



1 2 3 4 5

**SIRUBA**

PARTS LIST

F007K/F007KD  
F858K/F858KD

Parts Group  
UTJ(UTK)-K

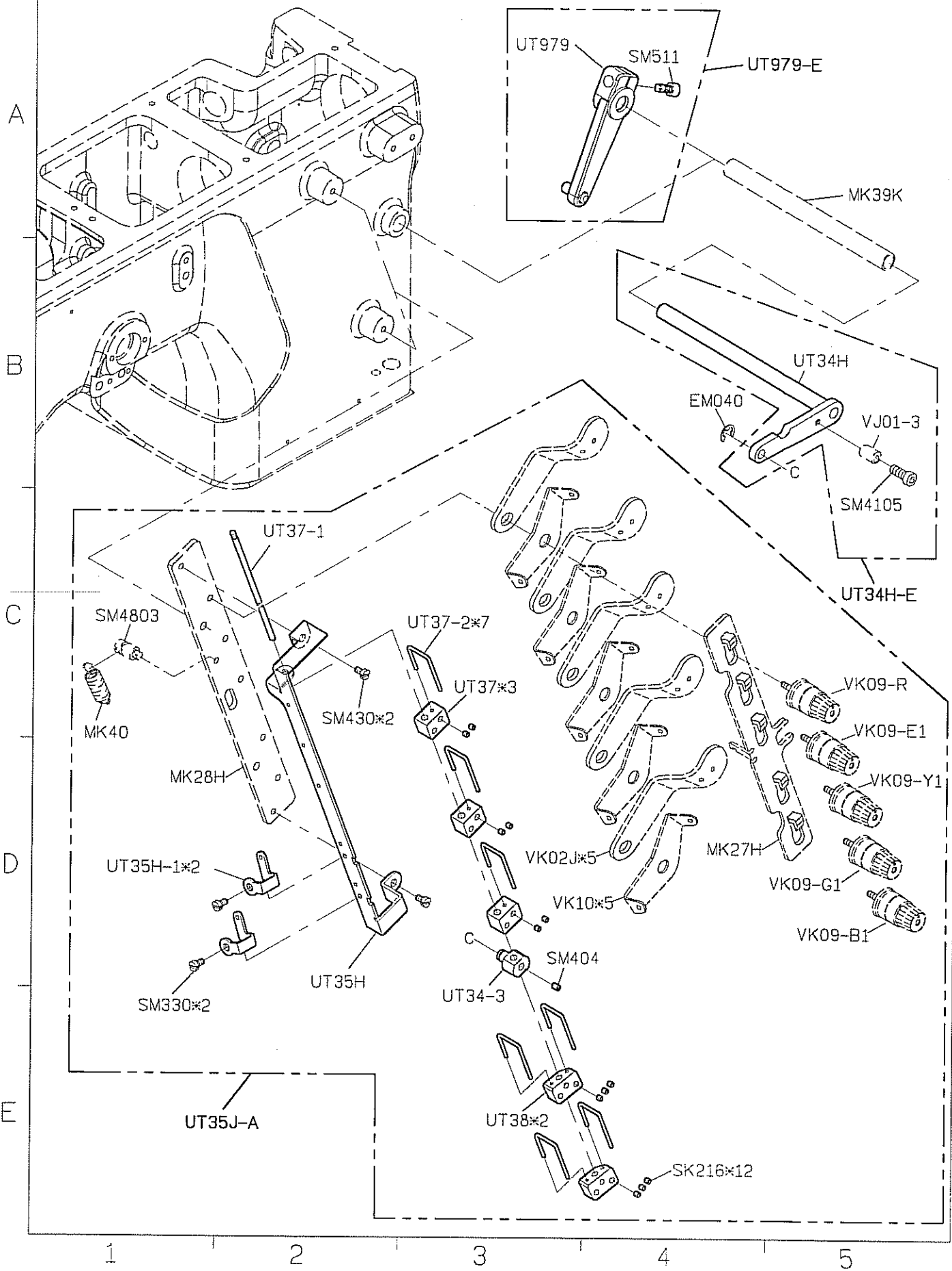
Subclass / Remark

Page

5/13

Date

2013/06/03



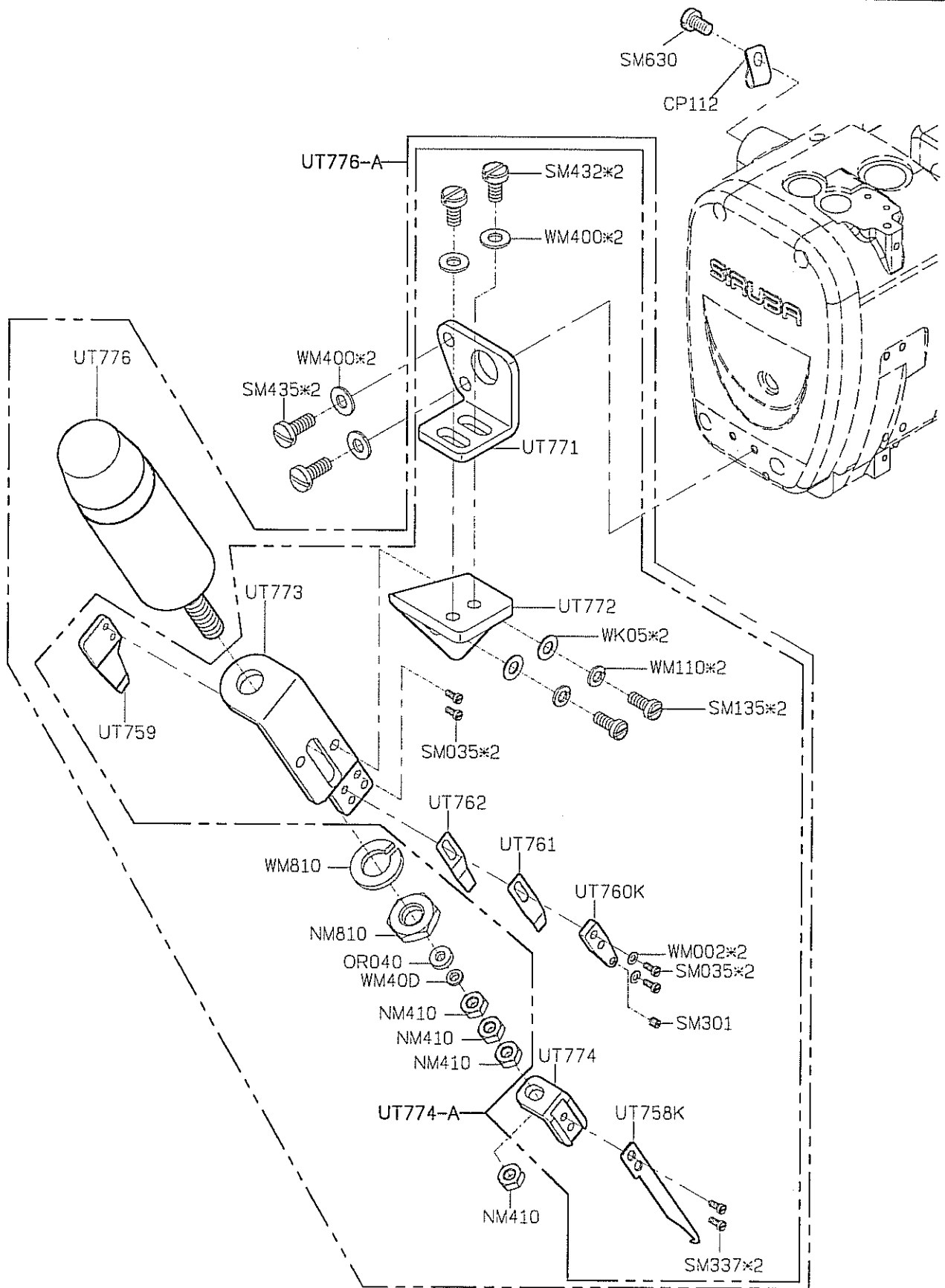
A

B

C

D

E



1

2

3

4

5

**SIRUBA**

PARTS LIST

Series

F007K/F007KD  
F858K/F858KD

Parts Group

**UTK-K**

Subclass / Remark

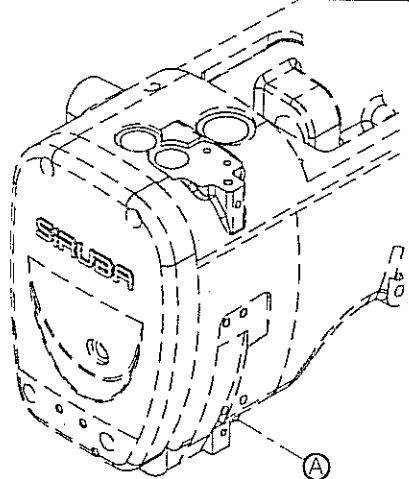
Page

7/13

Date

2013/08/06

A



WP51-A2

B

UT777

WP51-A

C

SM418\*2

WP55

WP51

WP42

WP41K

SM130

D

WM810

NM810

OR040

WM40D

NM410

NM410

SM330

WM301

SM030

WP54

SM4553B\*2

SM4306

WP56

WM402\*2

E

NM410

UT564

WP58

WP34K

WP53

SM4831

WP32

WP36

WM402\*2

SM410\*2

BC715

1

2

3

4

5

**SIRUBA**

PARTS LIST

**F007K/F007KD**  
**F858K/F858KD**

Parts Group  
**UTJ(UTK)-K**

Subclass / Remark  
For F007K/F858K  
☐ : For H brand motor

Page  
**8/13**  
Date  
**2012/10/31**

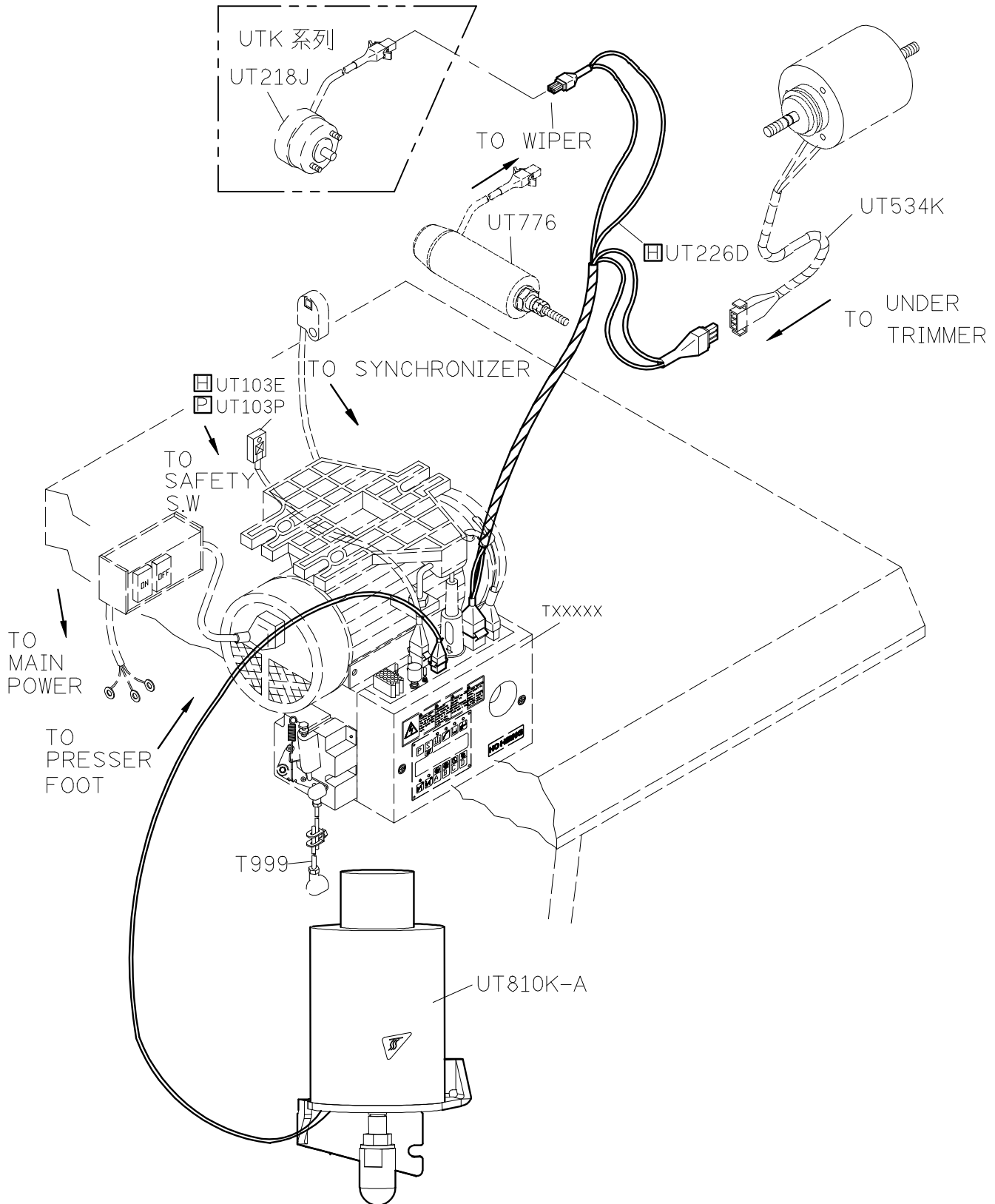
A

B

C

D

E



**SIRUBA**

PARTS LIST

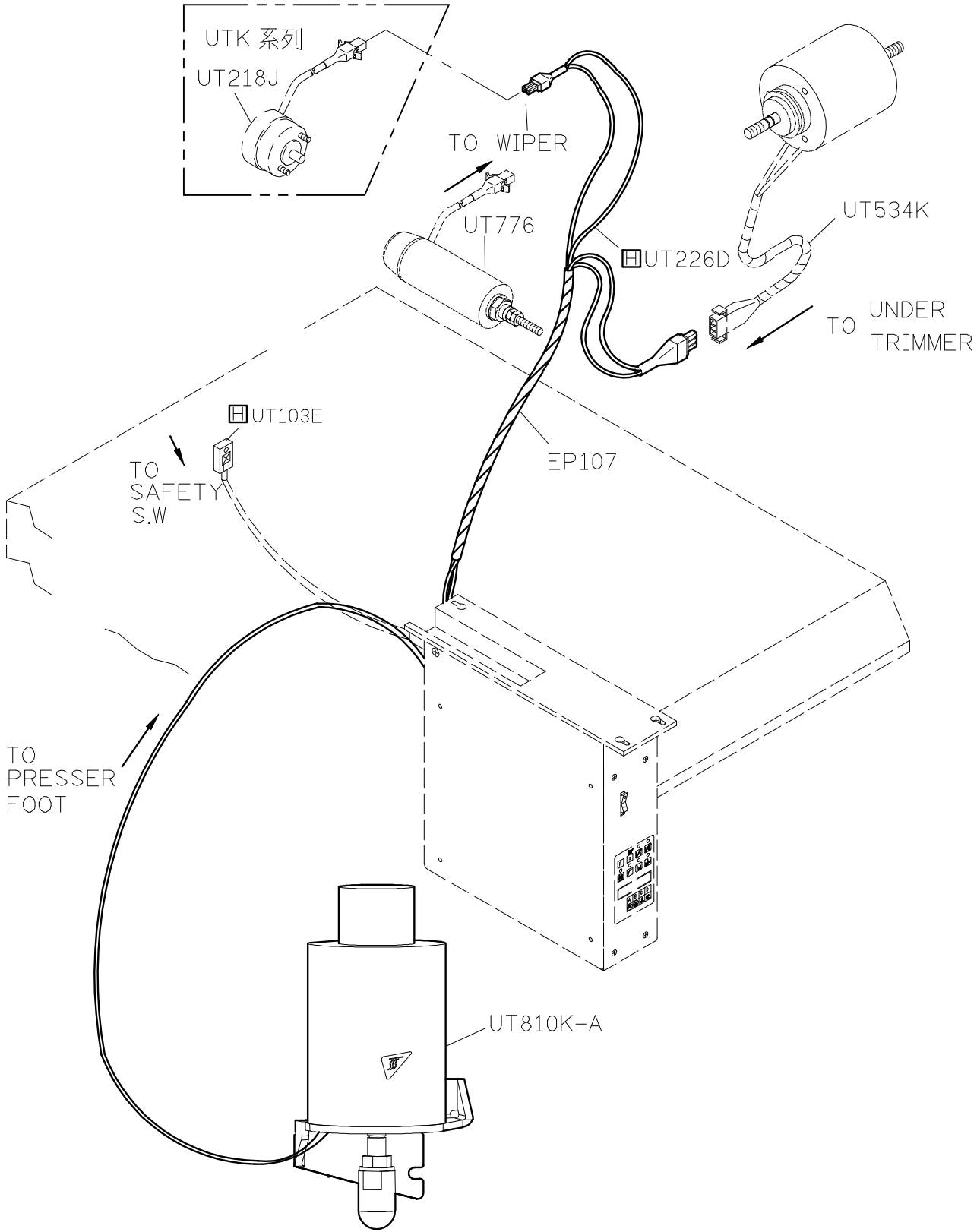
F007K/F007KD  
F858K/F858KD

Parts Group  
UTJ(UTK)-K

Subclass / Remark  
For F007KD/F858KD  
☐ : For H brand motor

Page  
9/13  
Date  
2012/10/31

A  
B  
C  
D  
E





**SIRUBA**

PARTS LIST

F007K/F007KD  
F858K/F858KD

Parts Group  
UTJ(UTK)-K

Subclass / Remark  
For F007KD/F858KD  
☐ : For H brand motor

Page  
10/13  
Date  
2012/10/31

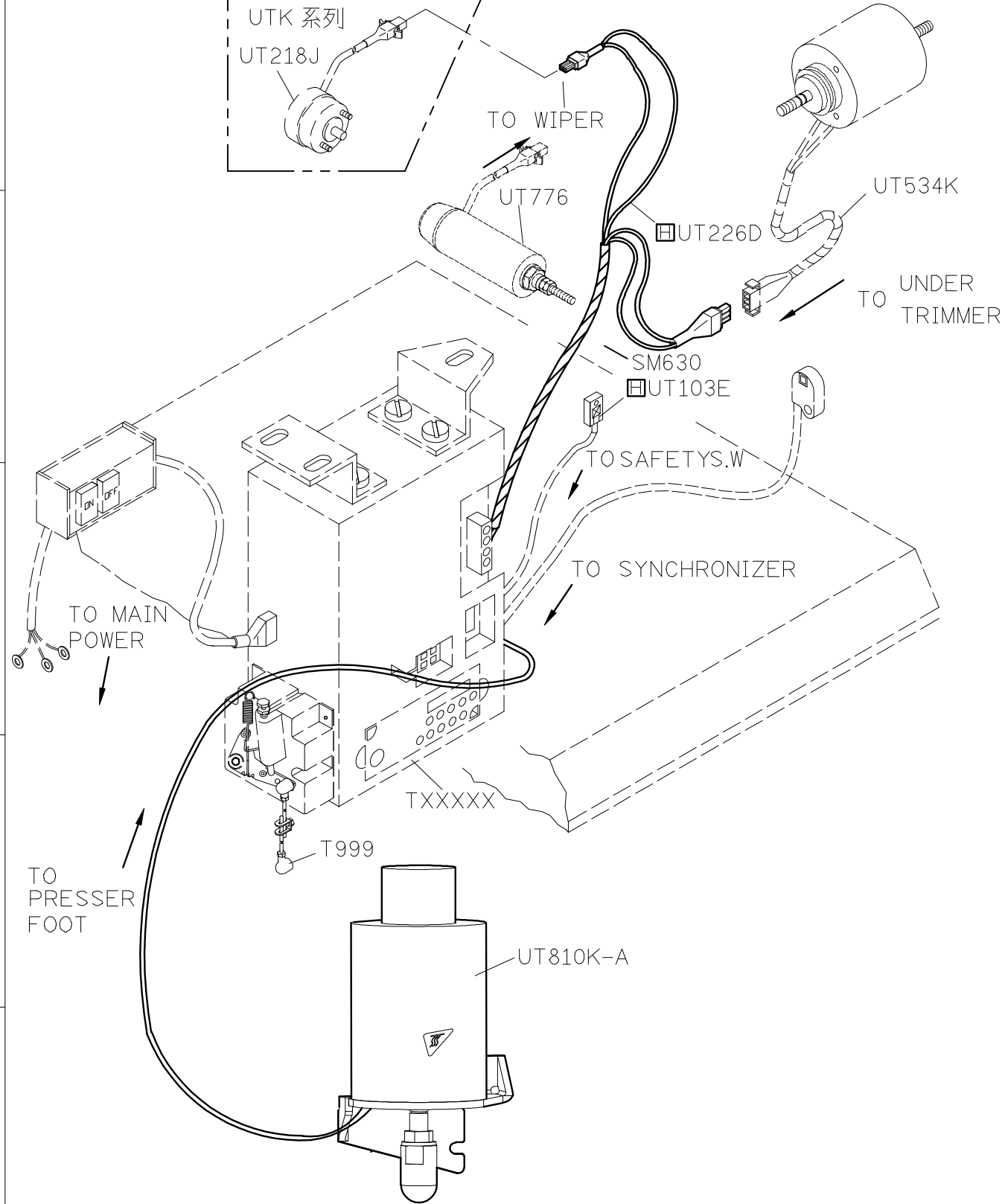
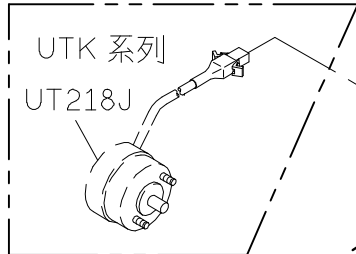
A

B

C

D

E



**SIRUBA**

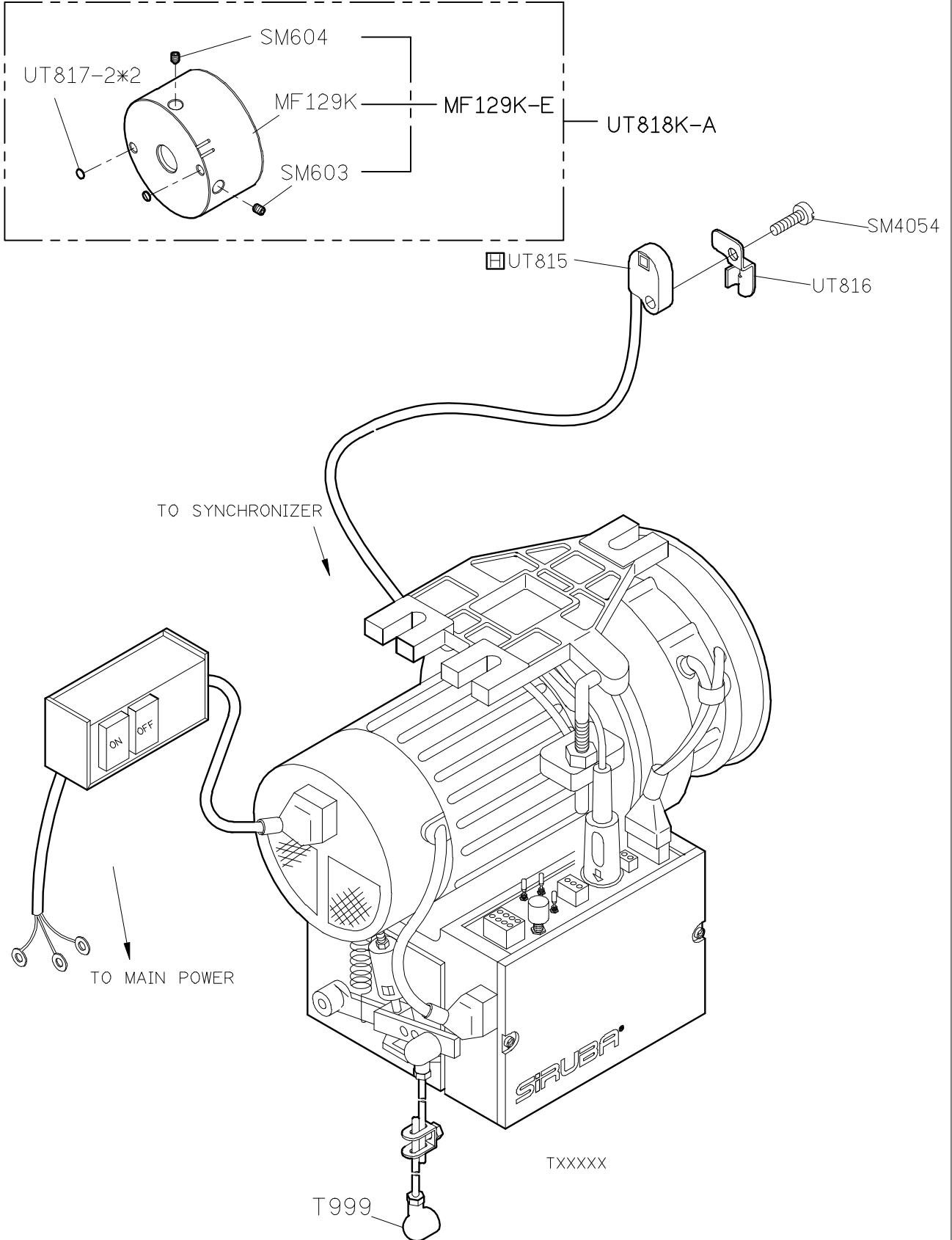
PARTS LIST

**F007K/F007KD**  
**F858K/F858KD**

Parts Group  
**UTJ(UTK)-K**

Subclass / Remark  
For **F007K/F858K**  
☐ : For H brand motor

Page  
**11/13**  
Date  
**2012/10/31**



**SIRUBA**

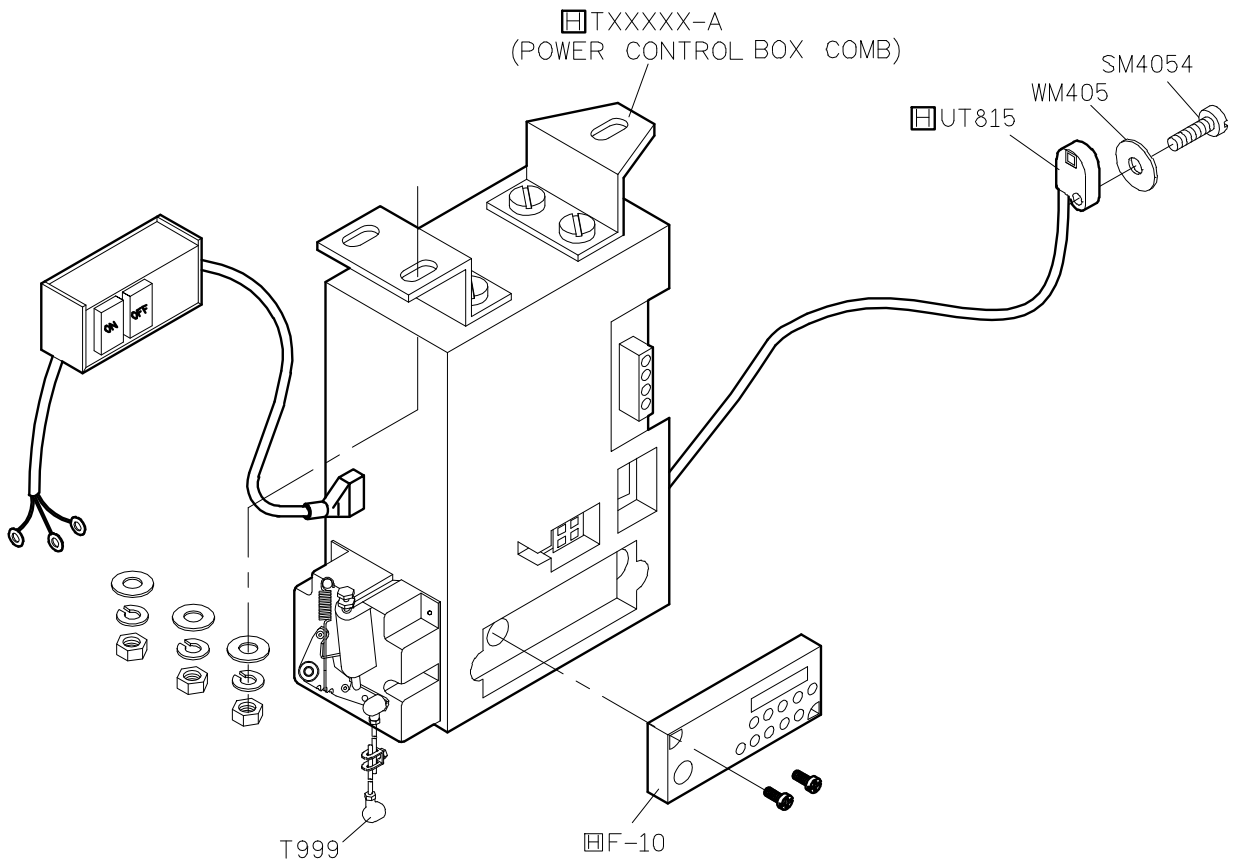
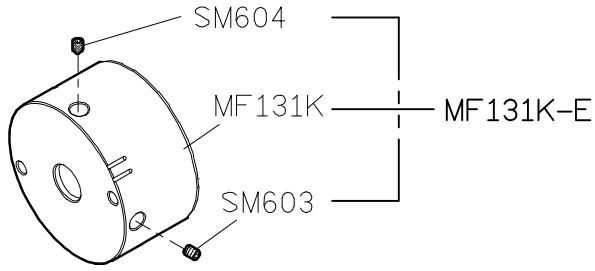
PARTS LIST

F007K/F007KD  
F858K/F858KD

Parts Group  
UTJ(UTK)-K

Subclass / Remark  
For F007KD/F858KD  
☐ For H brand motor(HVP-70)

Page  
12/13  
Date  
2012/10/31



1

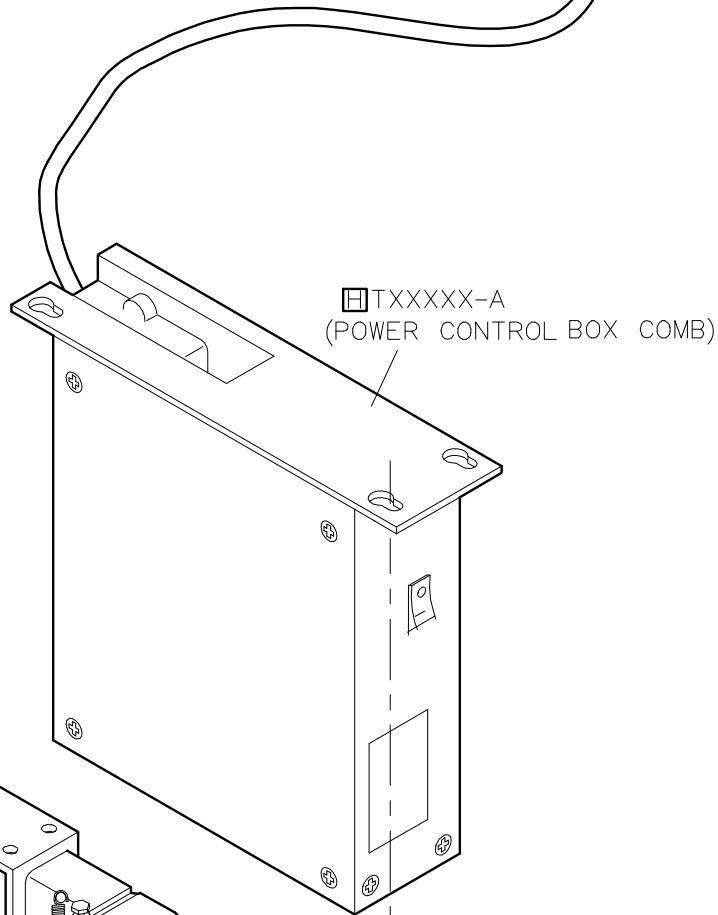
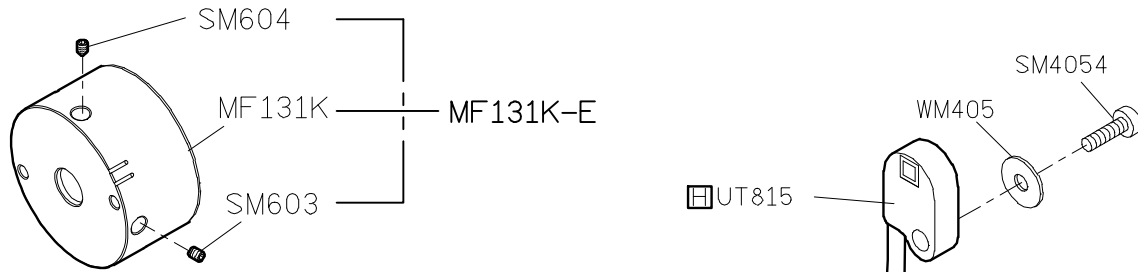
2

3

4

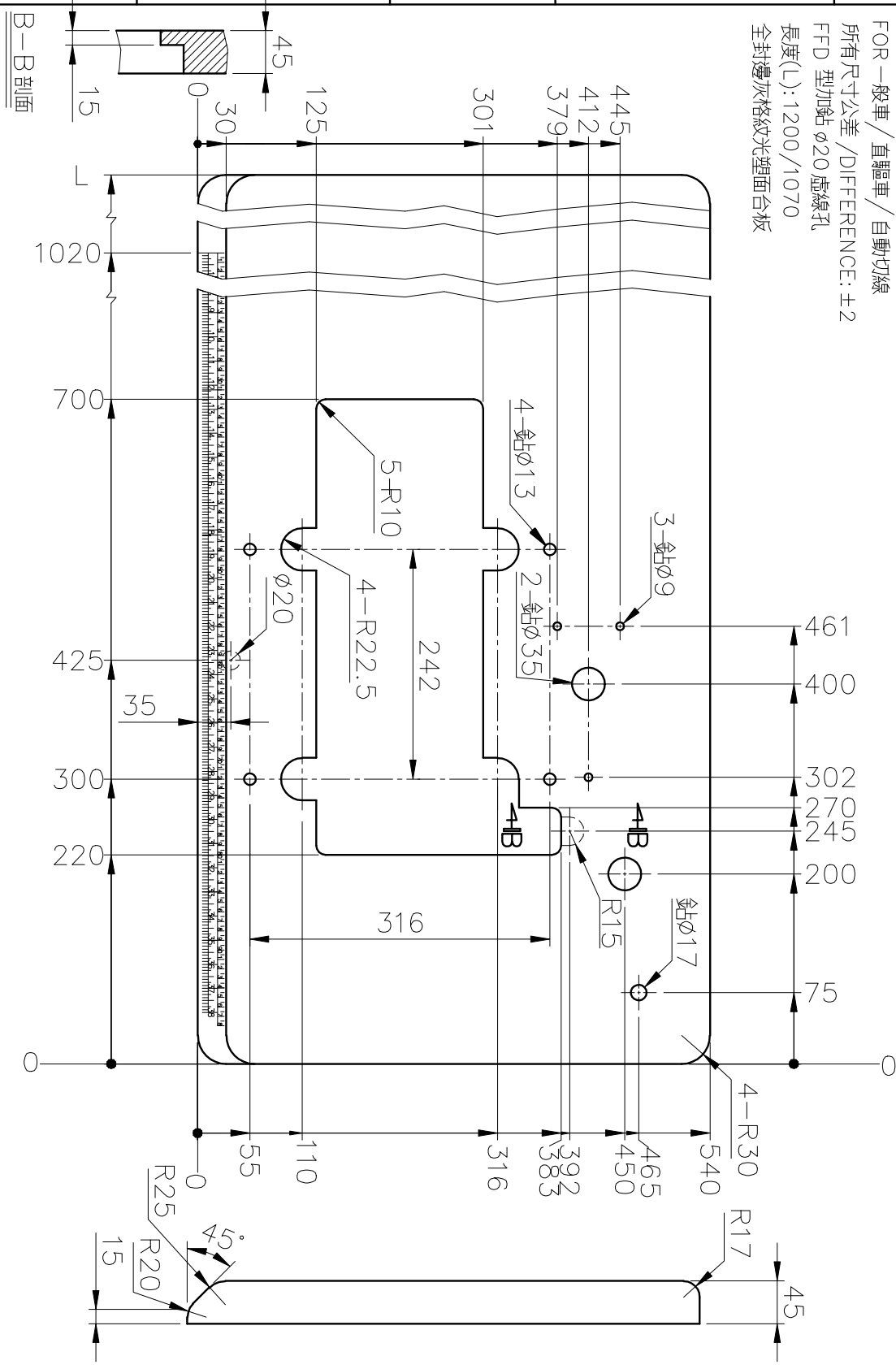
5

SIRUBA PARTS LIST	Series	Parts Group	Subclass / Remark	Page
	F007K/F007KD	UTJ(UTK)-K	For F007KD/F858KD	13/13
	F858K/F858KD		☐: For H brand motor(HVP-70)	Date
				2012/10/31

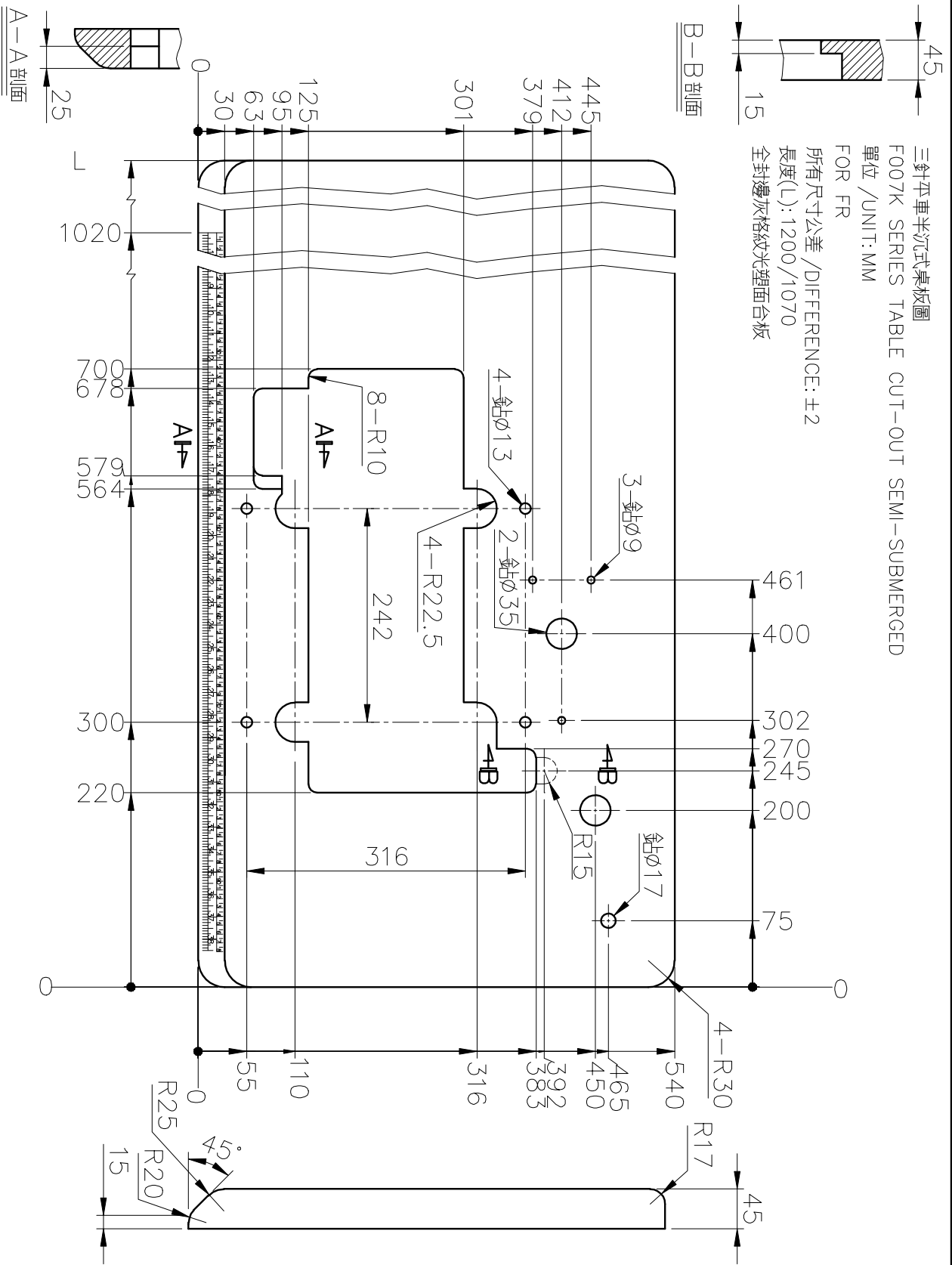


<b>SIRUBA</b> <b>TABLE CUT - OUT</b>	<b>Series</b>	<b>Item Code</b>	<b>Subclass / Remark</b>	<b>Mounting</b>
	<b>F007K/F007KD F858K/F858KD</b>	<b>F007K-T</b>	For All Series excluding FR,FHK models	<b>Semi-submerged</b>
				<b>Date</b> <b>2013/01/26</b>

三針平車半沉式桌板圖  
 F007K /KD F858K /KD SERIES TABLE CUT-OUT SEMI-SUBMERGED  
 單位 / UNIT: MM  
 FOR 一般車 / 直驅車 / 自動切線  
 所有尺寸公差 / DIFFERENCE: ±2  
 FFD 型加鉗  $\phi 20$  虛線孔  
 長度(L): 1200/1070  
 全封邊灰格紋光理面台板



<b>SIRUBA</b> <b>TABLE</b> <b>CUT - OUT</b>	<b>Series</b>	<b>Item Code</b>	<b>Subclass / Remark</b>	<b>Mounting</b>
	<b>F007K/F007KD</b> <b>F858K/F858KD</b>	<b>F007K-T1</b>	For All Series	<b>Semi-submerged</b>
				<b>Date</b> 2012/10/16

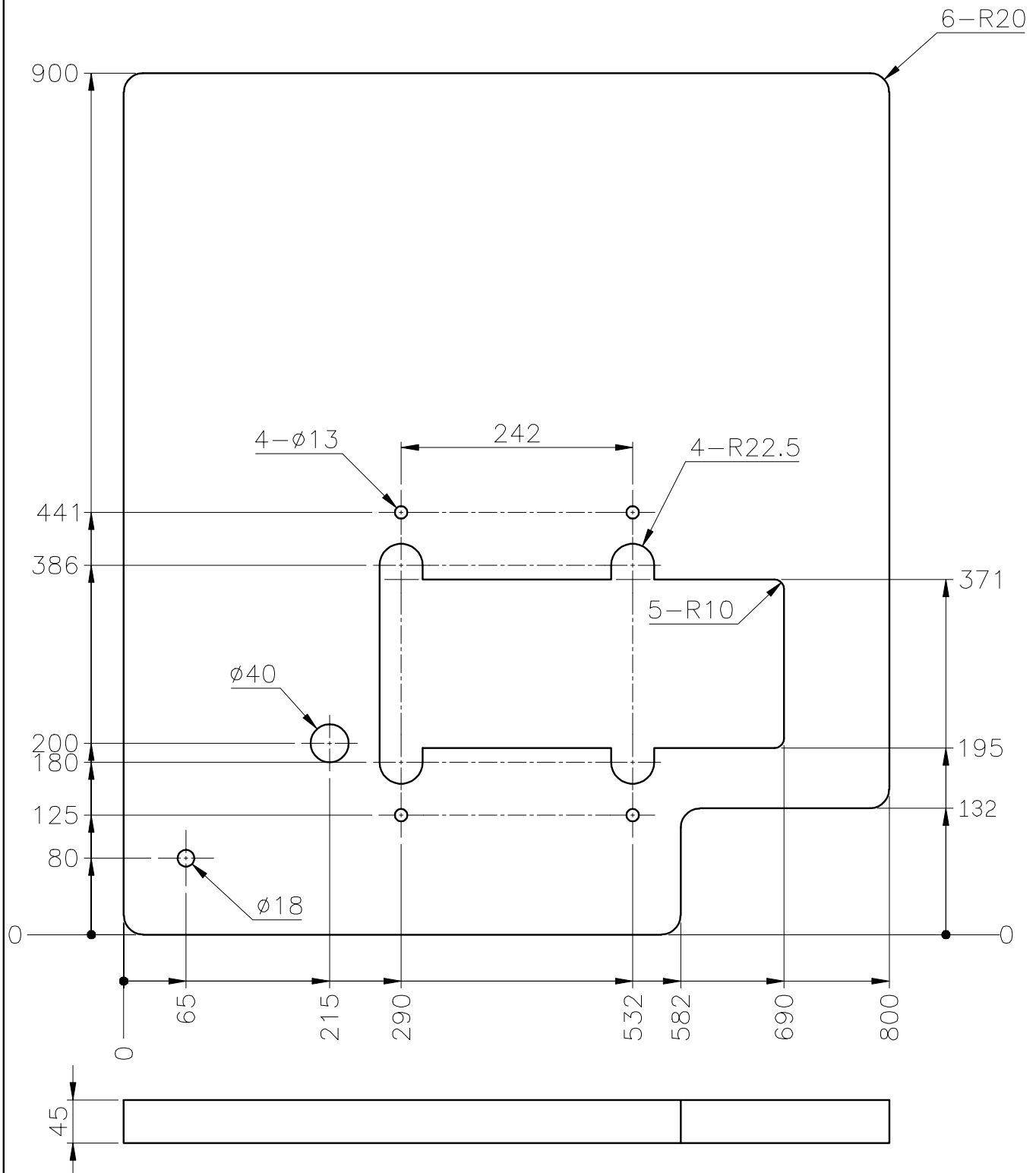


**SIRUBA****TABLE  
CUT - OUT****Series****F007KD****Item Code****F007K-T2****Subclass / Remark****For FHK Model****Mounting****Semi-submerged****Date****2012/08/20**

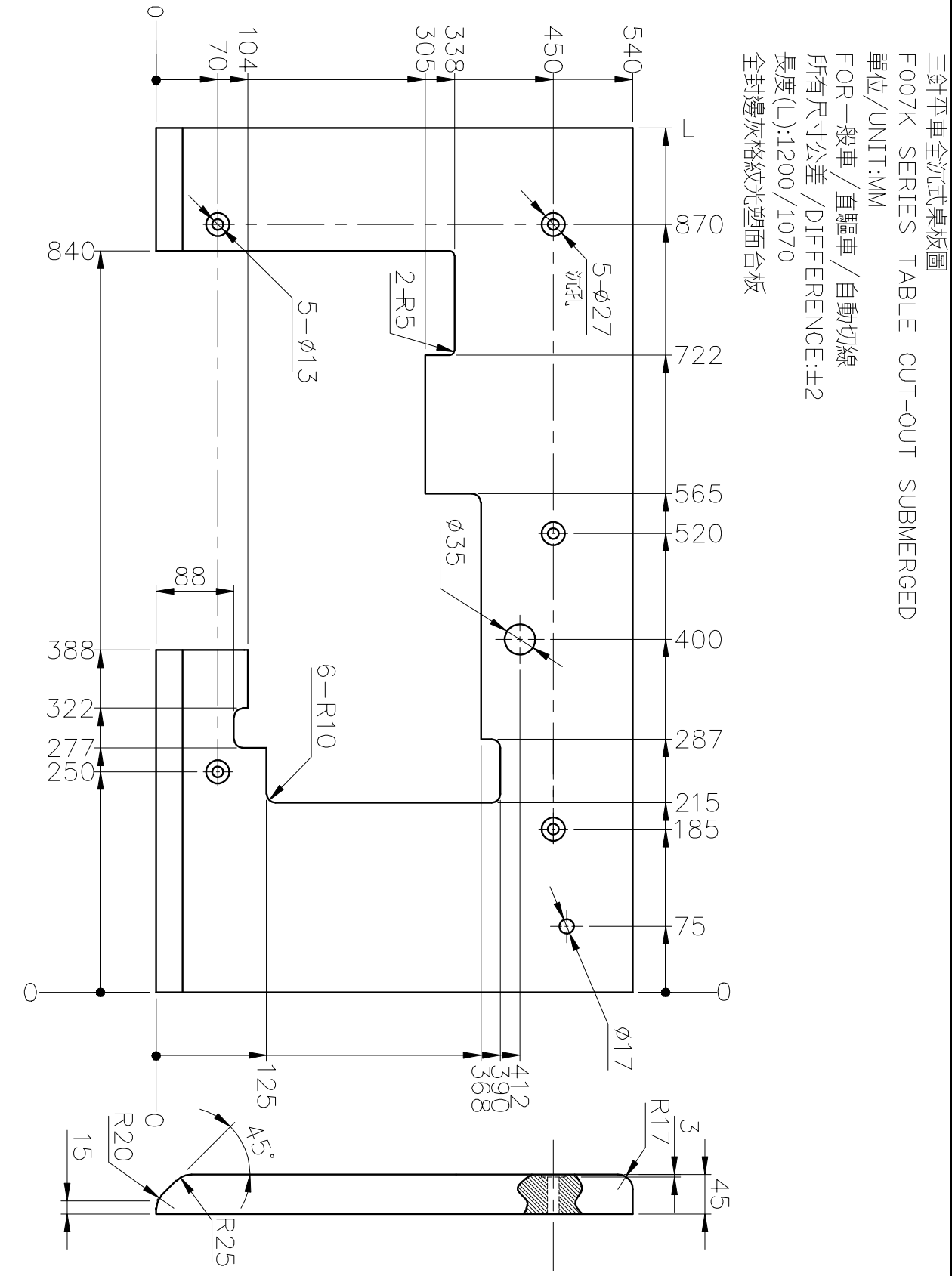
單位/UNIT : mm

重量/WEIGHT: 16.5kg±5%

所有尺寸公差/TOLERANCE : ±2



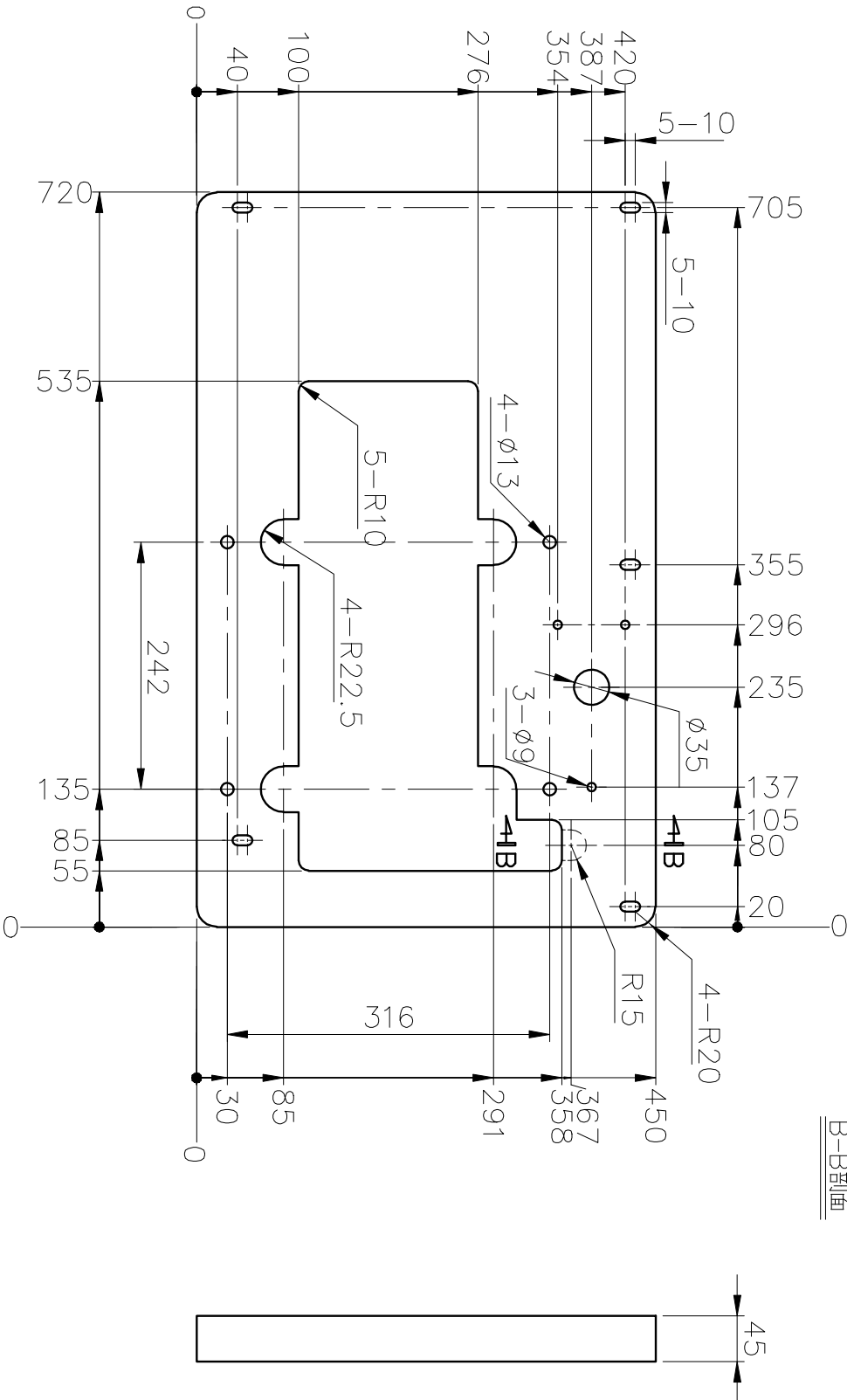
<b>SIRUBA</b> TABLE CUT - OUT	<b>Series</b>	<b>Item Code</b>	<b>Subclass / Remark</b>	<b>Mounting</b>
	<b>F007K/F007KD</b> <b>F858K/F858KD</b>	<b>F007K-T3-1</b>	<b>For All Series</b>	<b>Fully-submerged</b>
				<b>Date</b>
				<b>2013/01/26</b>



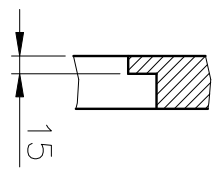


<b>SIRUBA</b> TABLE CUT - OUT	<b>Series</b>	<b>Item Code</b>	<b>Subclass / Remark</b>	<b>Mounting</b>
	F007K/F007KD F858K/F858KD	F007K-T3-2	For All Series	Fully-submerged
				<b>Date</b>
				2013/01/26

三針平車全沉式桌板圖  
 F007K SERIES TABLE CUT-OUT SUBMERGED  
 單位/UNIT:MM  
 FOR 一般車 / 直驅車 / 自動切線  
 所有尺寸公差 / DIFFERENCE:±2  
 全封邊灰格紋光塑面台板



B-B剖面



<b>SIRUBA</b> TABLE CUT - OUT	<b>Series</b>	<b>Item Code</b>	<b>Subclass / Remark</b>	<b>Mounting</b>
	F007K/F007KD F858K/F858KD	F007K-T3-3	For All Series	Fully-submerged
				<b>Date</b>
				2013/01/26

三針平車全沉式桌板圖  
 F007K SERIES TABLE CUT-OUT SUBMERGED  
 單位/UNIT:MM  
 FOR一般車 / 直驅車 / 自動切線  
 所有尺寸公差 / DIFFERENCE:±2  
 全封邊灰格紋光塑面台板

