

金輪牌工業用縫紉機

GOLDEN WHEEL INDUSTRIAL SEWING MACHINE

零件分解圖

PARTS BOOK

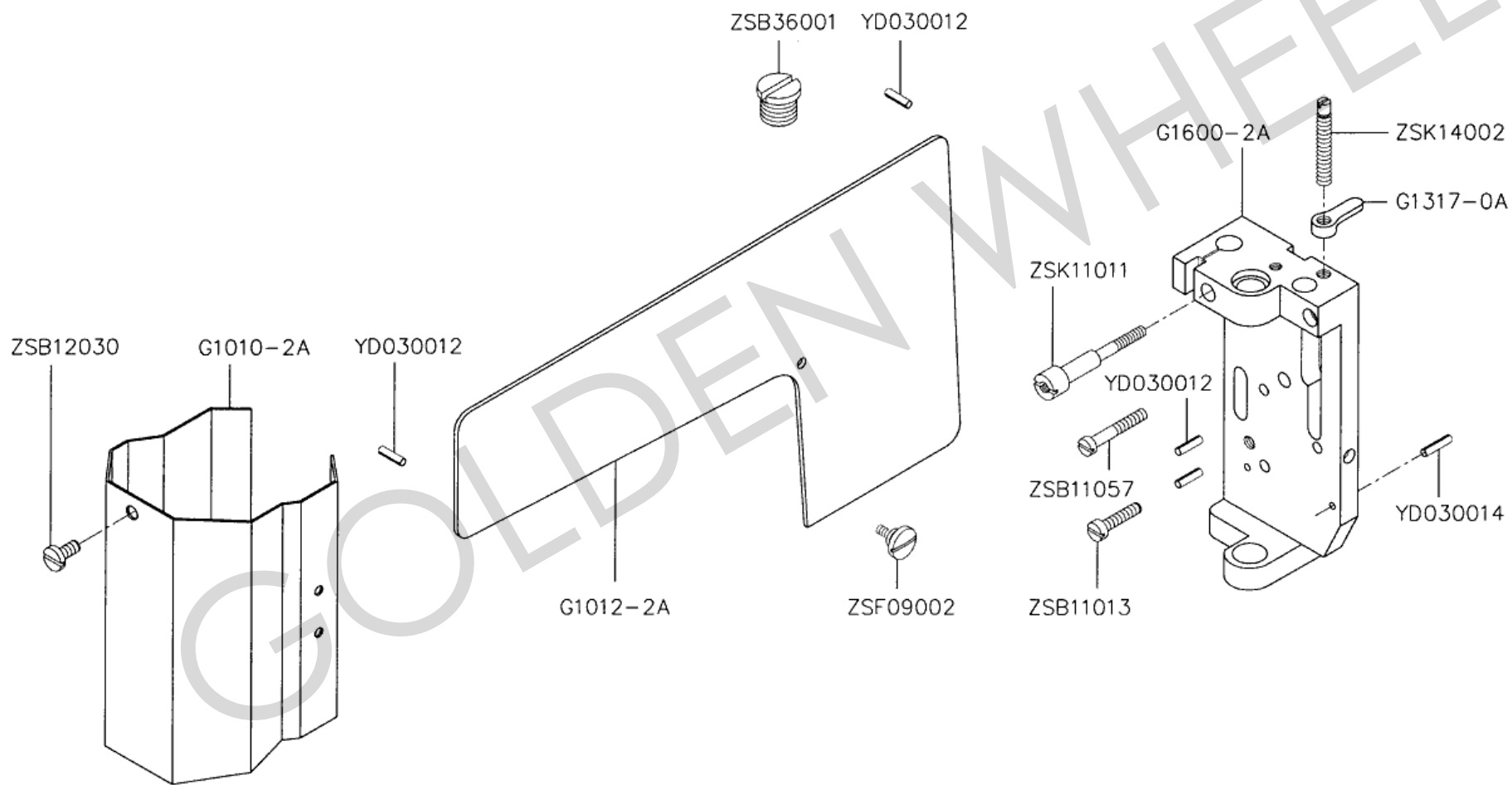
MODEL: CS-530-1、530-2

啓翔股份有限公司
CHEE SIANG INDUSTRIAL CO., LTD.

MODEL : CS-530-1、530-2

索引	INDEX	PAGE
A、本體、機座機構	MACHINE FRAME & COVERS & ARM HEAD MECHANISM	2-3
B、上軸機構	UPPER SHAFT MECHANISM	4-5
C、針棒機構	NEEDLE BAR MECHANISM	6-7
D、押腳機構	PRESSER FOOT MECHANISM	8-9
E、押腳機構	PRESSER FOOT MECHANISM	10-11
F、停止裝置機構	STOP BRACKET ASSEMBLY	12-13
G、線環器機構	LOOPER MECHANISM	14-15
H、線環器運轉機構	LOOPER OPERATING MECHANISM	16-17
I、縫線壓力調整機構	THREAD TENSION REGULATOR MECHANISM	18-19
J、旋轉把手車縫機構	STITCH ROTATING HAND LEVER MECHANISM	20-21
K、附件	ACCESSORIES	22-23
L、針榴詳表	NIPPLE LIST	24-25
M、零件號碼與頁數對照	NUMERICAL PARTS-LIST	26-27

A.CS-530-1, 530-2 本體、機座機構 MACHINE FRAME & COVERS & ARM HEAD MECHANISM

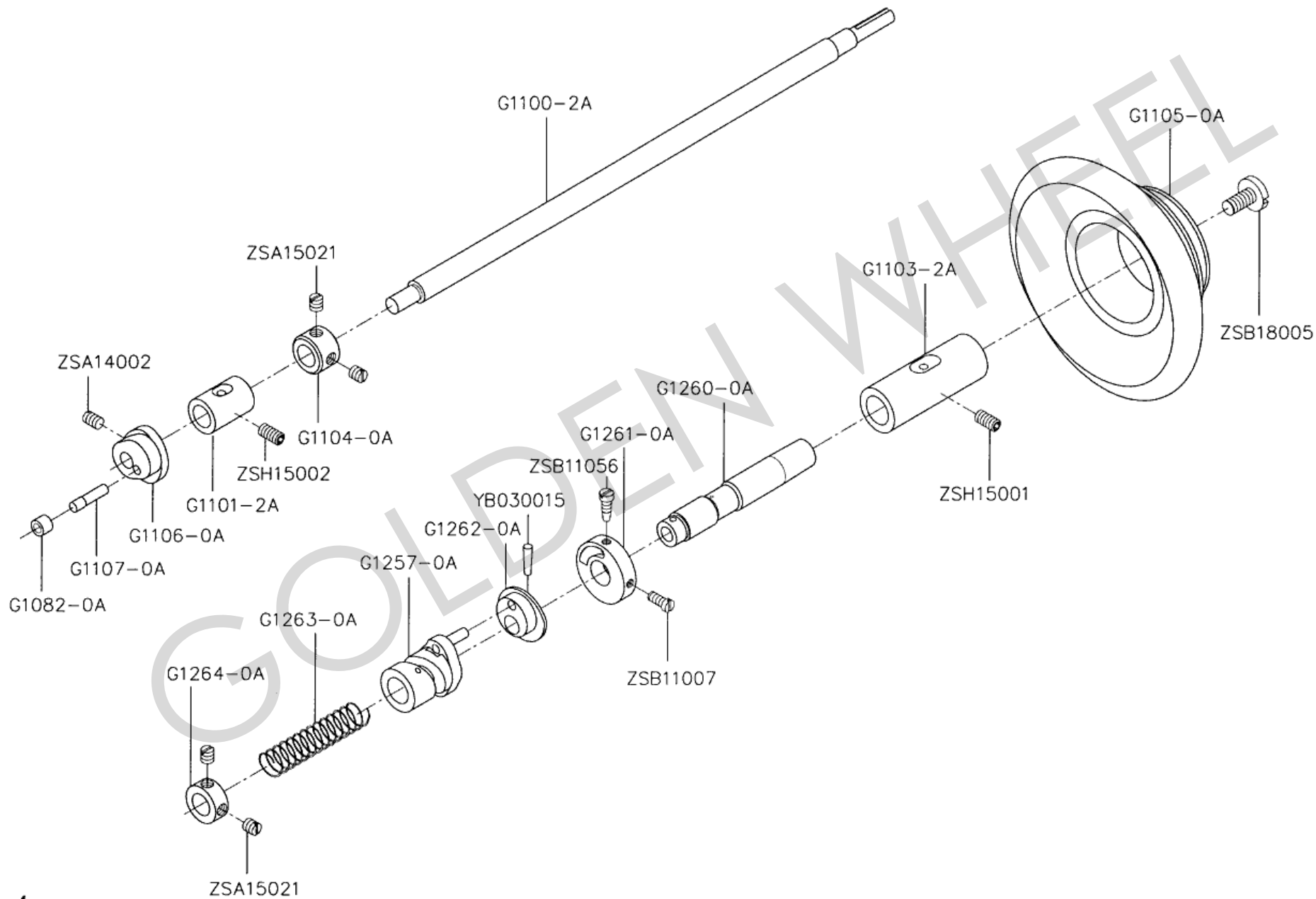


A、CS-530-1, 530-2 本體、機座機構 MACHINE FRAME & COVERS & ARM HEAD MECHANISM

零件號碼 Part No	零件名稱	Name of Part	件數 Q, TY	備註 Remarks
G1010-2A	面板	Arm Head Cover	1	
G1012-2A	前面板	Arm Side Cover	1	
G1317-0A	縫目調整固定桿	Feed Regulating Screw Lock Lever Nut	1	
G1600-2A	機座頭	Arm Head	1	
YD030012	彈簧銷	Pin	4	
YD030014	彈簧銷	Pin	2	
ZSB11013	螺絲	Screw(11/64-40x16.5)	1	
ZSB11057	螺絲	Screw(11/64-40x26)	1	
ZSB12030	螺絲	Screw(3/16-32x8)	1	
ZSB36001	螺絲	Screw(9/16-20x8)	1	
ZSF09002	螺絲	Screw(9/64-40x7.5)	1	
ZSK11011	螺絲	Screw(11/64-40)	1	
ZSK14002	螺絲	Screw(7/32-32)	1	

GOLDEN WHEEL

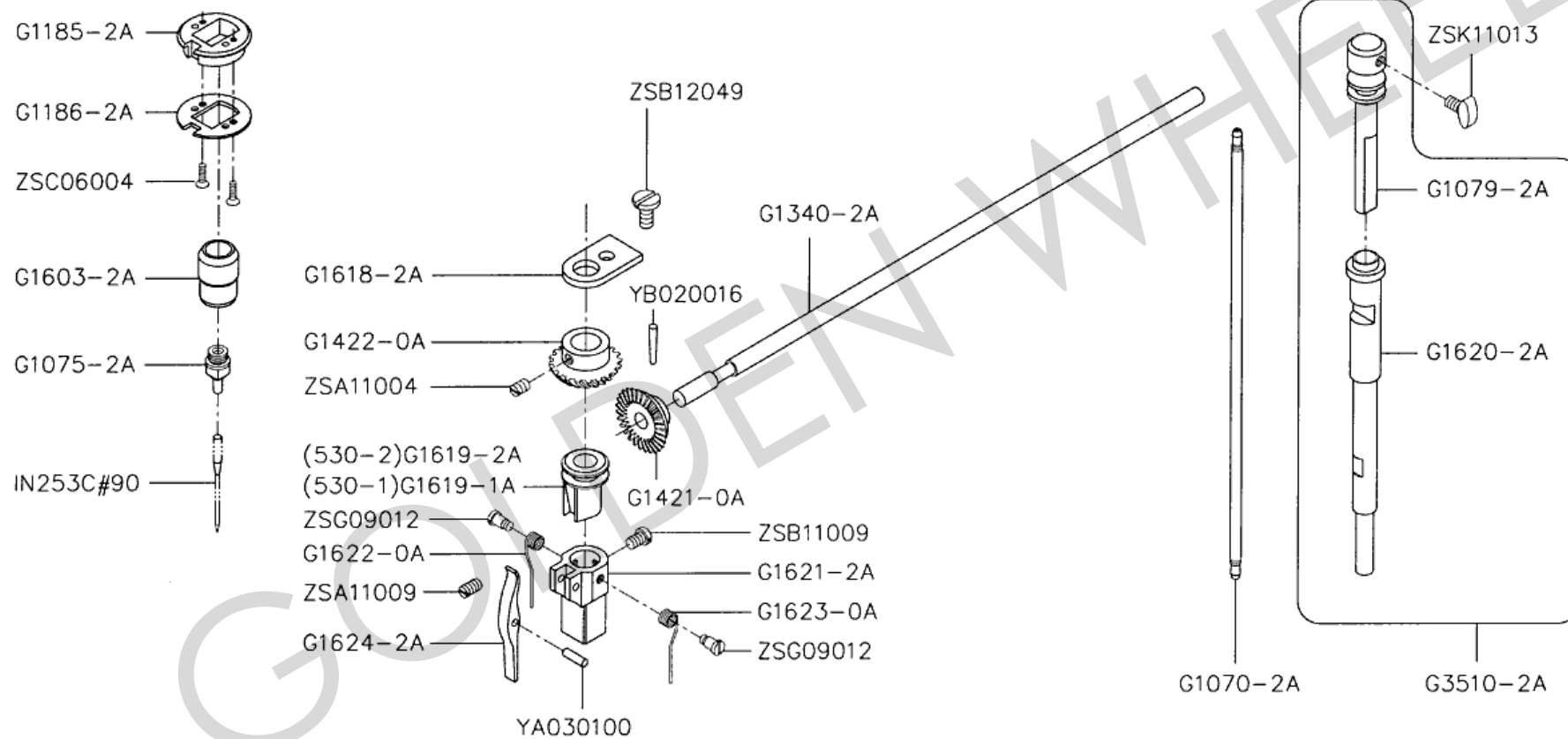
B.CS-530-1, 530-2 上軸機構 UPPER SHAFT MECHANISM



B、CS-530-1, 530-2 上軸機構 UPPER SHAFT MECHANISM

零件號碼 Part No	零件名稱	Name of Part	件數 Q, TY	備註 Remarks
G1082-0A	滾子	Needle Driving Cam Roller	1	
G1100-2A	上軸	Arm Shaft	1	
G1101-2A	上軸軸襯(左)	Arm Shaft Bushing (Left)	1	
G1103-2A	上軸軸襯(右)	Driving Pulley Sleeve Bushing (Right)	1	
G1104-0A	上軸定環	Arm Shaft Collar	1	
G1105-0A	皮帶輪	Driving Puller	1	
G1106-0A	針驅動凸輪	Needle Driving Cam	1	
G1107-0A	凸輪固定銷	Needle Driving Cam Pin	1	
G1257-0A	止凸輪組	Stop Cam	1	
G1260-0A	皮帶輪軸套管	Driving Pulley Sleeve	1	
G1261-0A	驅動凸緣	Arm Shaft Driving Flange	1	
G1262-0A	偏心輪	Eccentric Cam	1	
G1263-0A	壓縮彈簧	Stop Cam Spring	1	
G1264-0A	彈簧固定環	Stop Cam Spring Collar	1	
YB030015	推拔銷	Taper Pin	1	
ZSA14002	螺絲	Screw(7/32-32x5.5)	1	
ZSA15021	螺絲	Screw(15/64-28x4.5)	4	
ZSB11007	螺絲	Screw(11/64-40x7)	1	
ZSB11056	螺絲	Screw(11/64-40x8.5)	1	
ZSB18005	螺絲	Screw(9/32-28x11)	1	
ZSH15001	螺絲	Screw(15/64/28x6)	1	
ZSH15002	螺絲	Screw(15/64-28x8)	1	

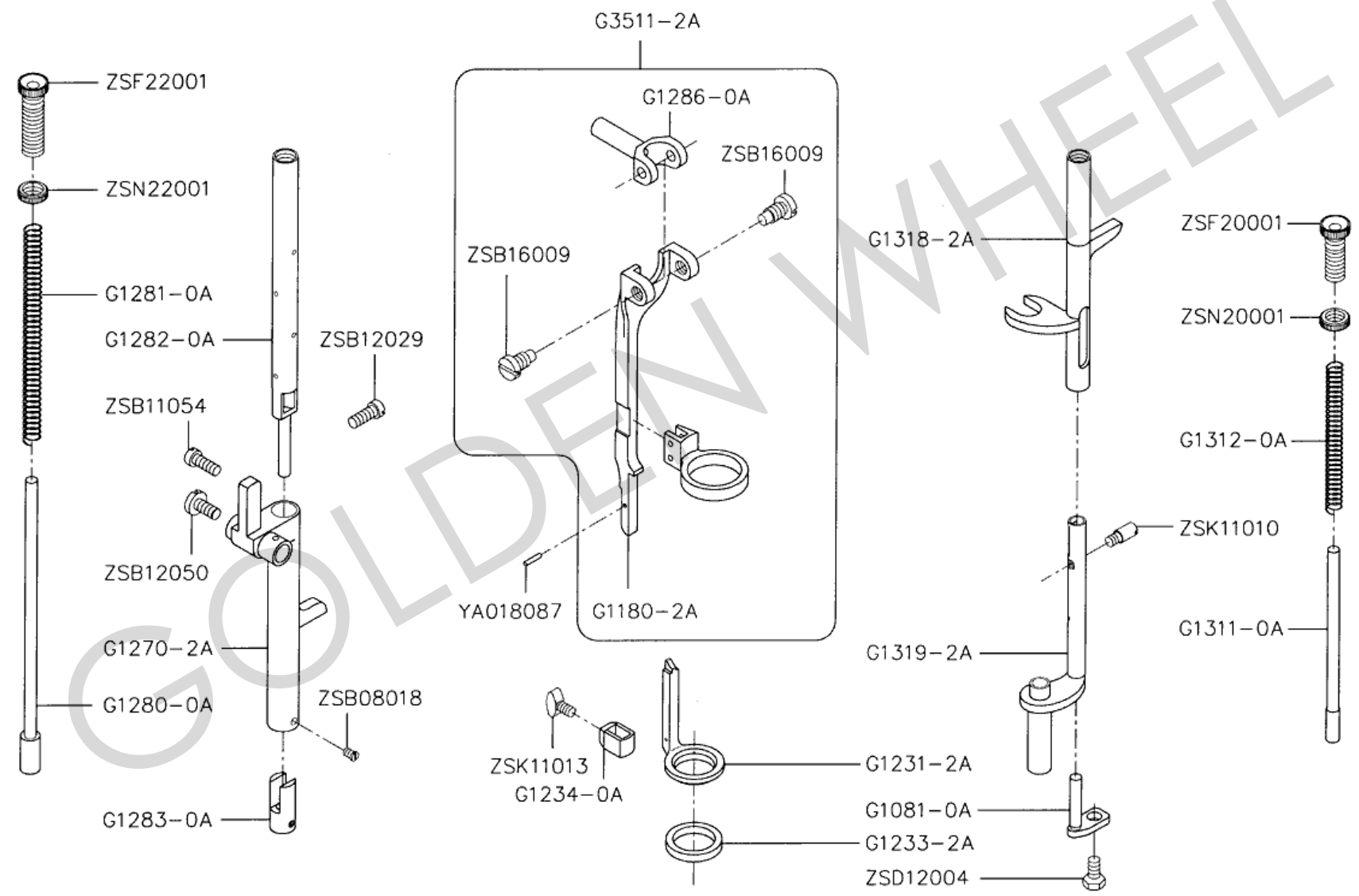
C.CS-530-1, 530-2 針棒機構 NEEDLE BAR MECHANISM



C、CS-530-1, 530-2 針棒機構 NEEDLE BAR MECHANISM

零件號碼 Part No	零件名稱	Name of Part	件數 Q, TY	備註 Remarks
G1070-2A	針棒	Needle Bar	1	
G1075-2A	針榴	Nipple	1	
G1079-2A	針棒導套	Needle Holder Clamping Sleeve	1	
G1185-2A	送料桿引導座	Feed Lever Bracket Guide	1	
G1186-2A	送料桿引導座蓋	Feed Lever Bracket Guide Cap	1	
G1340-2A	送料旋轉軸	Feed Rotating Shaft	1	
G1421-0A	齒輪	Feed Rotating Shaft Gear	1	
G1422-0A	齒輪	Arm Head Sleeve Gear	1	
G1603-2A	套管軸襯	Nipple Carrier Sleeve Bushing	1	
G1618-2A	套管定位板	Arm Head Sleeve Cap	1	
G1619-1A	送料滑塊	Feed Slide Block	1	CS-530-1
G1619-2A	送料滑塊	Feed Slide Block	1	CS-530-2
G1620-2A	針棒軸套	Arm Head Sleeve	1	
G1621-2A	送料桿座	Feed Lever Bracket	1	
G1622-0A	托架彈簧(左)	Feed Recovering Spring (Left)	1	
G1623-0A	托架彈簧(右)	Feed Recovering Spring (Right)	1	
G1624-2A	送料桿	Feed Lever	1	
G3510-2A	針棒軸套組	Arm Head Sleeve Assy.	1	
IN253C#90	針	Needle	1	
YA030100	平行銷	Feed Lever Hinge Pin	1	
YB020016	推拔銷	Taper Pin	1	
ZSA11004	螺絲	Screw(11/64-40x3.5)	1	
ZSA11009	螺絲	Screw(11/64-40x2.8)	1	
ZSB11009	螺絲	Screw(11/64-40x5)	1	
ZSB12049	螺絲	Screw(3/16-32x8)	1	
ZSC06004	螺絲	Screw(3/32-56x6.5)	2	
ZSG09012	螺絲	Screw(9/64-40)	2	
ZSK11013	螺絲	Screw(11/64-40)	1	

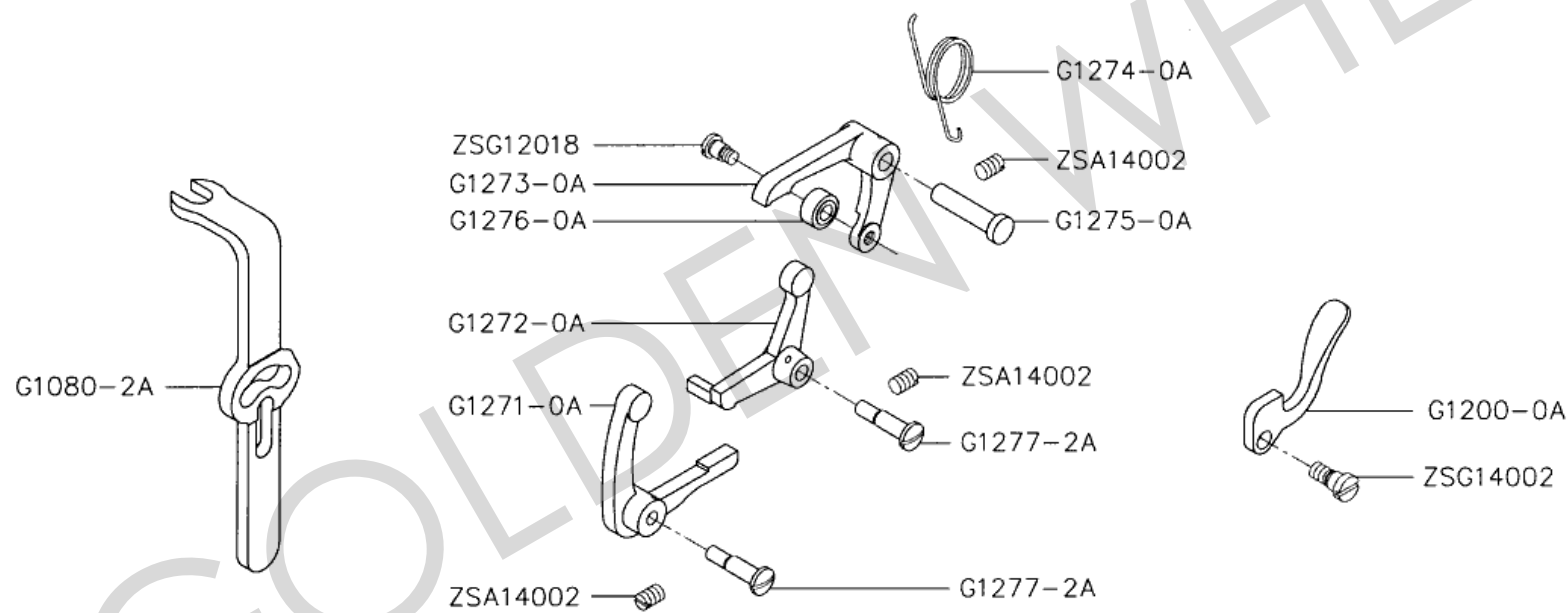
D.CS-530-1, 530-2 押腳機構 PRESSER FOOT MECHANISM



D、CS-530-1, 530-2 押腳機構 PRESSER FOOT MECHANISM

零件號碼 Part No	零件名稱	Name of Part	件數 Q, TY	備註 Remarks
G1081-0A	針榴導套	Nipple Carrier Guide	1	
G1180-2A	押腳導桿組	Presser Foot Lever	1	
G1231-2A	押腳	Presser Foot	1	
G1233-2A	押腳橡膠墊	Presser Foot Shoe (Rubber)	1	
G1234-0A	押腳固定環	Presser Foot Clamp	1	
G1270-2A	押腳滑棒	Presser Foot Slide Bar	1	
G1280-0A	壓縮彈簧導桿	Presser Foot Slide Bar Spring Plunger	1	
G1281-0A	壓縮彈簧	Presser Foot Slide Bar Spring	1	
G1282-0A	押棒導管	Presser Foot Slide Bar Guide	1	
G1283-0A	押棒彈簧停止塊	Presser Foot Slide Bar Spring Stop	1	
G1286-0A	Y型連桿	Presser Foot Lever Swivel	1	
G1311-0A	壓縮彈簧導桿	Nipple Carrier Extension	1	
G1312-0A	壓縮彈簧	Nipple Carrier Spring	1	
G1318-2A	送料滑桿	Feed Slide Bar	1	
G1319-2A	針榴導桿組	Nipple Carrier	1	
G3511-2A	押棒導桿組	Presser Foot Lever Assy.	1	
YA018087	平行銷	Pin	1	
ZSB08018	螺絲	Screw(1/8-44x3.5)	1	
ZSB11054	螺絲	Screw(11/64-40x10)	1	
ZSB12029	螺絲	Screw(3/16-32x11.5)	1	
ZSB12050	螺絲	Screw(3/16-32x8)	1	
ZSB16009	螺絲	Screw(1/4-28x7.8)	2	
ZSD12004	螺絲	Screw(3/16-32x12)	1	
ZSF20001	螺絲	Screw(5/16-32x15.5)	1	
ZSF22001	螺絲	Screw(11/32-32x23.5)	1	
ZSK11010	螺絲	Screw(11/64-40)	1	
ZSK11013	螺絲	Screw(11/64-40)	1	
ZSN20001	螺帽	Nut(5/16-32x3.5)	1	
ZSN22001	螺帽	Nut(11/32-32x3.5)	1	

E.CS-530-1 , 530-2 押腳機構 PRESSER FOOT MECHANISM

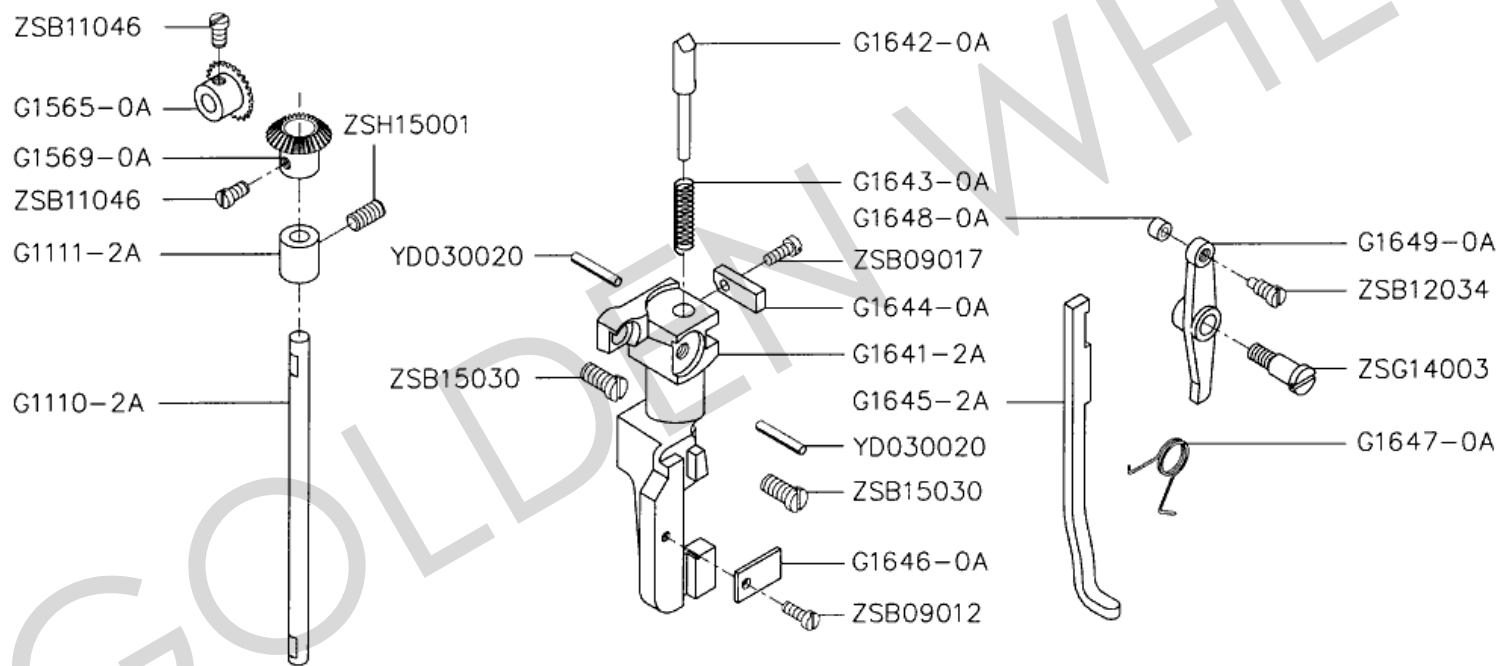


E、CS-530-1, 530-2 押腳機構 PRESSER FOOT MECHANISM

零件號碼 Part No	零件名稱	Name of Part	件數 Q, TY	備註 Remarks
G1080-2A	針棒導板	Needle Operating Slide	1	
G1200-0A	壓棒提桿	Presser Foot Lifter	1	
G1271-0A	押腳滑動曲柄	Presser Foot Slide Bell Crank	1	
G1272-0A	針榴導桿曲柄	Nipple Carrier Bell Crank	1	
G1273-0A	送料曲柄	Feed Bell Crank	1	
G1274-0A	扭轉彈簧	Feed Bell Crank Spring	1	
G1275-0A	固定銷	Feed Bell Crank Hinge Stud	1	
G1276-0A	送料曲柄滾子	Feed Bell Crank Roller	1	
G1277-0A	固定銷	Nipple Carrier Bell Crank Hinge Stud	2	
ZSA14002	螺絲	Screw(7/32-32x5.5)	3	
ZSG12018	螺絲	Screw(3/16-32)	1	
ZSG14002	螺絲	Screw(7/32-32)	1	

GOLDEN WHEEL

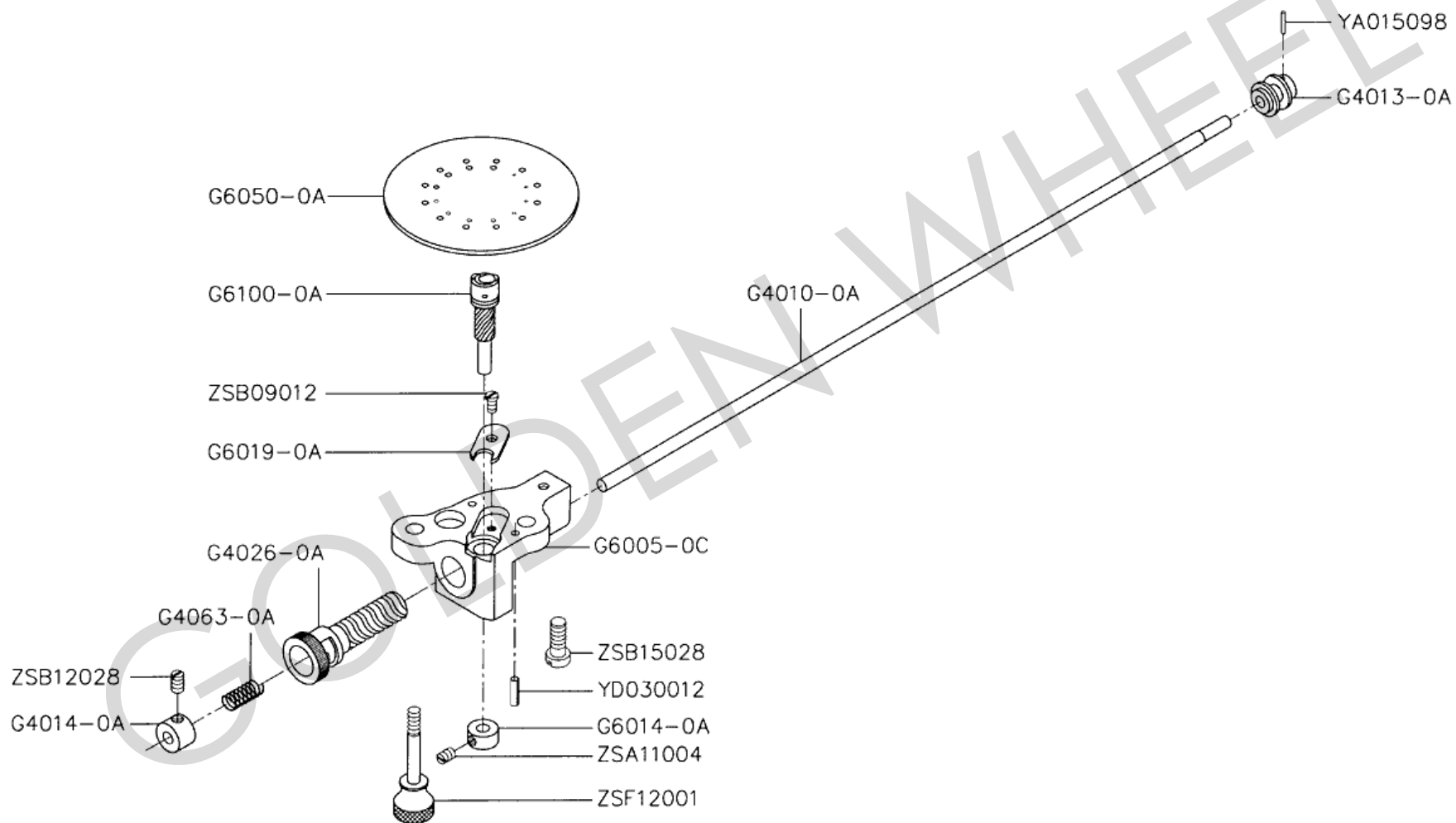
F.CS-530-1, 530-2 停止裝置機構 STOP BRACKET ASSEMBLY MECHANISM



F、CS-530-1, 530-2 停止裝置機構 STOP BRACKET ASSEMBLY MECHANISM

零件號碼 Part No	零件名稱	Name of Part	件數 Q, TY	備註 Remarks
G1110-2A	針柱旋轉軸	Stitch Rotating Gear Shaft	1	
G1111-2A	針柱旋轉軸軸襯	Stitch Rotating Gear Shaft Bushing	1	
G1565-0A	齒輪	Stitch Rotating Gear (Upper) With Set Screw	1	
G1569-0A	齒輪	Stitch Rotating Gear (Upper) With Set Screw	1	
G1641-2A	止動托架	Stop Bracket	1	
G1642-0A	止擋桿	Stop Bracket Interlocking Rod	1	
G1643-0A	壓縮彈簧	Stop Bracket Interlocking Rod Spring	1	
G1644-0A	止擋銷固定塊	Stop Bracket Interlocking Stop Block	1	
G1645-2A	起動桿	Starting Trip Lever Slide	1	
G1646-0A	起動桿固定板	Starting Trip Lever Slide Cap	1	
G1647-0A	彈簧	Starting Trip Lever Slide Spring	1	
G1648-0A	止擋套管	Stop Cam Roller	1	
G1649-0A	止擋槓桿	Stop Cam Rocking Lever	1	
YD030020	彈簧銷	Spring Pin	2	
ZSB09012	螺絲	Screw(9/64-40x4.5)	1	
ZSB09017	螺絲	Screw(9/64-40x8)	1	
ZSB11046	螺絲	Screw(11/64-40x5)	2	
ZSB12034	螺絲	Screw(3/16-32x7.8)	1	
ZSB15030	螺絲	Screw(15/64-28x16.5)	2	
ZSG14003	螺絲	Screw(7/32-32)	1	
ZSH15001	螺絲	Screw(15/64-28x6)	1	

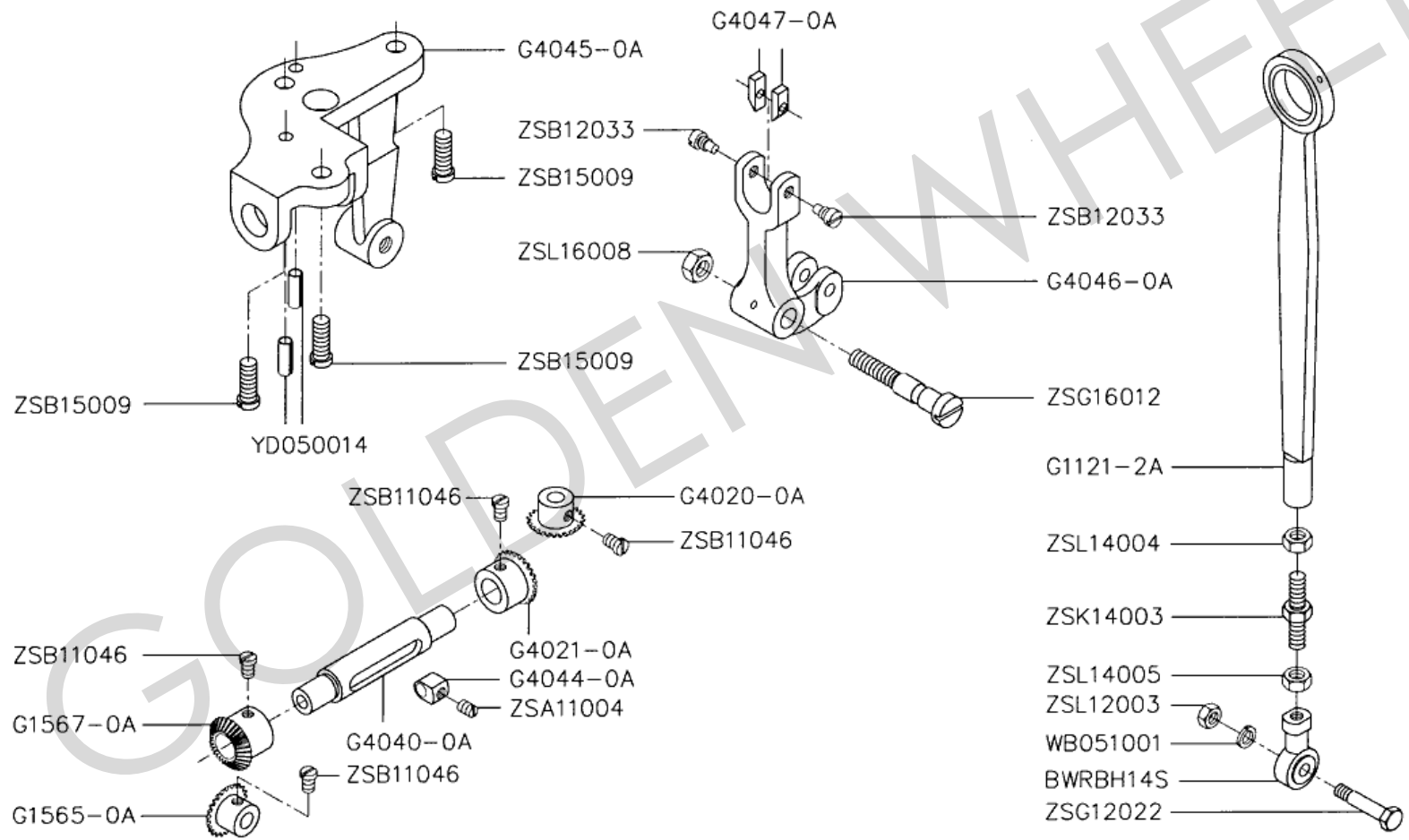
G.CS-530-1, 530-2 線環器機構 LOPPER MECHANISM



G、CS-530-1, 530-2 線環器機構 LOOPER MECHANISM

零件號碼 Part No	零件名稱	Name of Part	件數 Q, TY	備註 Remarks
G4010-0A	下軸	Looper Operating Shaft	1	
G4013-0A	下軸套輪	Looper Operating Shaft Sleeve Wheel	1	
G4014-0A	定環	Looper Operating Collar	1	
G4026-0A	齒輪	Looper Operating Gear (Spiral)	1	
G4063-0A	彈簧	Looper Operating Gear Spring	1	
G6005-0C	線環器座	Looper Bracket	1	
G6014-0A	定環	Looper Collar	1	
G6019-0A	定位板	Needle Position Plate	1	
G6050-0A	針板	Needle Plate	1	
G6100-0A	線環器	Looper	1	
YA015098	定位銷	Pin	1	
YD030012	彈簧銷	Spring Pin	2	
ZSA11004	螺絲	Screw(11/64-40x3.5)	1	
ZSB09012	螺絲	Screw(9/64-40x4.5)	1	
ZSB12028	螺絲	Screw(3/16-32x4.5)	1	
ZSB15028	螺絲	Screw(15/64-28x11.5)	3	
ZSF12001	螺絲	Screw(3/16-32x34)	1	

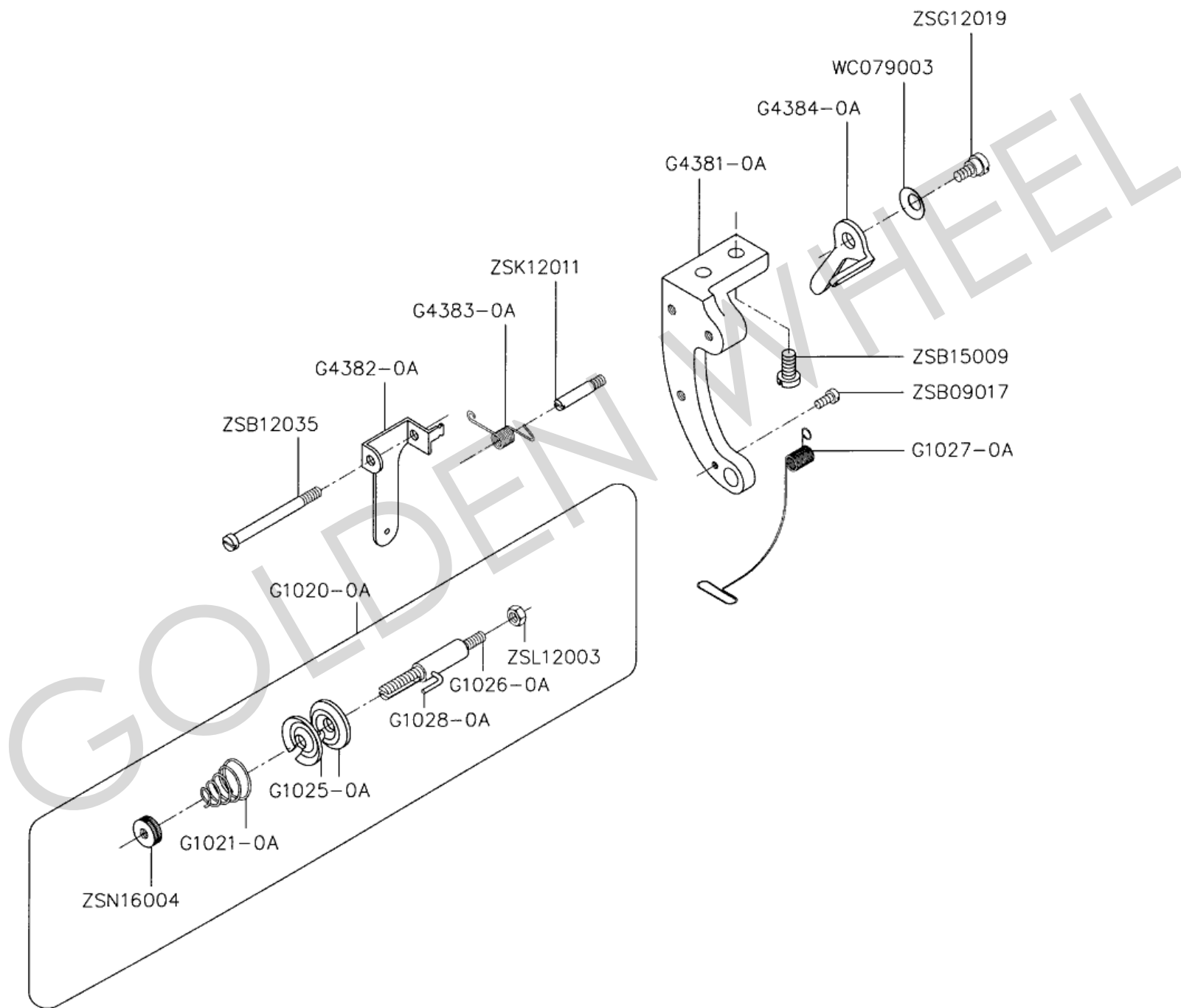
H.CS-530-1, 530-2 線環器運轉機構 LOOPER OPERATING MECHANISM



H、CS-530-1,530-2 線環器運轉機構 LOOPER OPERATING MECHANISM

零件號碼 Part No	零件名稱	Name of Part	件數 Q, TY	備註 Remarks
BWRBH14S	桿端軸承	Looper Operating Connection Joint	1	
G1121-2A	連桿	Looper Operating Connection (Cam End)	1	
G1565-0A	套管齒輪	Stitch Rotating Gear Bracket Shaft Gear	1	
G1567-0A	齒輪	Looper Operating Shaft Sleeve And Gear With Set Screw	1	
G4020-0A	齒輪	Stitch Rotating Gear Bracket Shaft Gear	1	
G4021-0A	套管齒輪	Looper Operating Shaft Sleeve And Gear With Set Screw	1	
G4040-0A	旋轉套環軸	Looper Operating Shaft Guide	1	
G4044-0A	滑動塊	Looper Operating Shaft Guide Block	1	
G4045-0A	固定架	Looper Operating Bell Crank Bracket	1	
G4046-0A	L型連桿	Looper Operating Bell Crank	1	
G4047-0A	滑塊	Looper Operating Bell Crank Hinge Block	2	
WB051001	彈簧墊圈	Spring Washer	1	
YD050014	彈簧銷	Spring Pin	2	
ZSA11004	螺絲	Screw(11/64-40x3.5)	1	
ZSB11046	螺絲	Screw(11/64-40x5)	4	
ZSB12033	螺絲	Screw(3/16-32x7.2)	2	
ZSB15009	螺絲	Screw(15/64-28x13)	3	
ZSG12022	螺絲	Screw(3/16-32)	1	
ZSG16012	螺絲	Screw(1/4-28)	1	
ZSK14003	螺絲	Screw(7/32-32)	1	
ZSL12003	螺帽	Nut(3/16-32x3)	1	
ZSL14004	螺帽	Nut(7/32-32x3)	1	
ZSL14005	螺帽	Nut(7/32-32x3)	1	
ZSL16008	螺帽	Nut(1/4-28x6)	1	

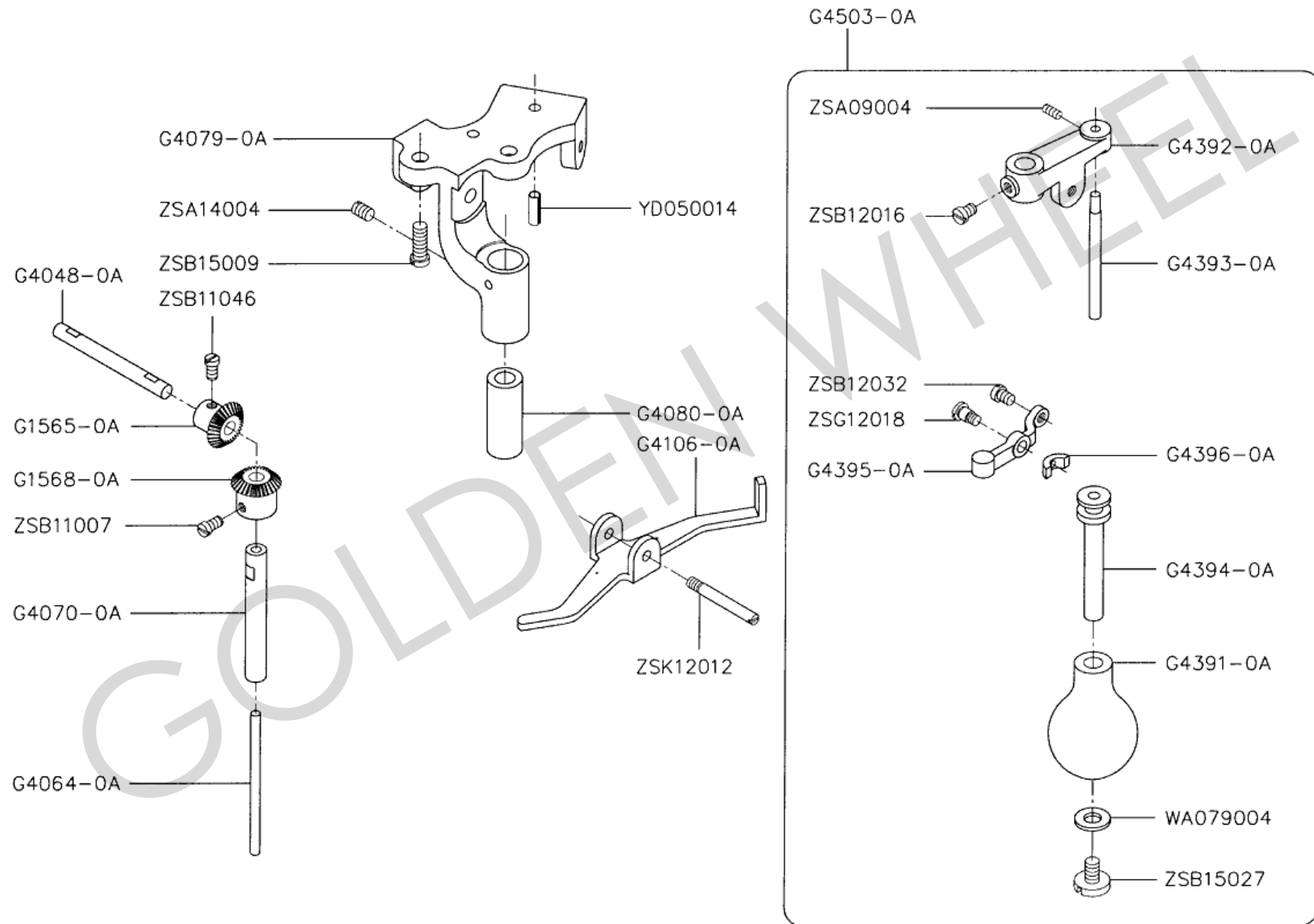
I.CS-530-1 · 530-2 縫線壓力調整機構 THREAD TENSION REGULATOR MECHANISM



I、CS-530-1,530-2 縫線壓力調整機構 THREAD TENSION REGULATOR MECHANISM

零件號碼 Part No	零件名稱	Name of Part	件數 Q, TY	備註 Remarks
G1020-0A	縫線壓力調整組	Thread Tension Regulator Assy.	1	
G1021-0A	調整彈簧	Tension Spring	1	
G1025-0A	壓線盤	Tension Disc	2	
G1026-0A	調整螺絲棒	Tension Stud	1	
G1027-0A	吊線彈簧	Thread Controller Spring	1	
G1028-0A	壓線銷	Tension Releasing Pin	1	
G4381-0A	線掛支架	Tension Bracket	1	
G4382-0A	線壓板	Tension Regulating Plate	1	
G4383-0A	扭轉彈簧	Tension Regulating Spring	1	
G4384-0A	壓力調整桿	Tension Regulating Lever	1	
WC079003	盤形墊圈	Washer	1	
ZSB09017	螺絲	Screw(9/64-40x8)	1	
ZSB12035	螺絲	Screw(3/16-32x52.5)	1	
ZSB15009	螺絲	Screw(15/64-28x13)	2	
ZSG12019	螺絲	Screw(3/16-32)	1	
ZSK12011	螺絲	Screw(3/16-32)	1	
ZSL12003	螺帽	Nut(3/16-32x3)	1	
ZSN16004	螺帽	Nut(1/4-40x4.5)	1	

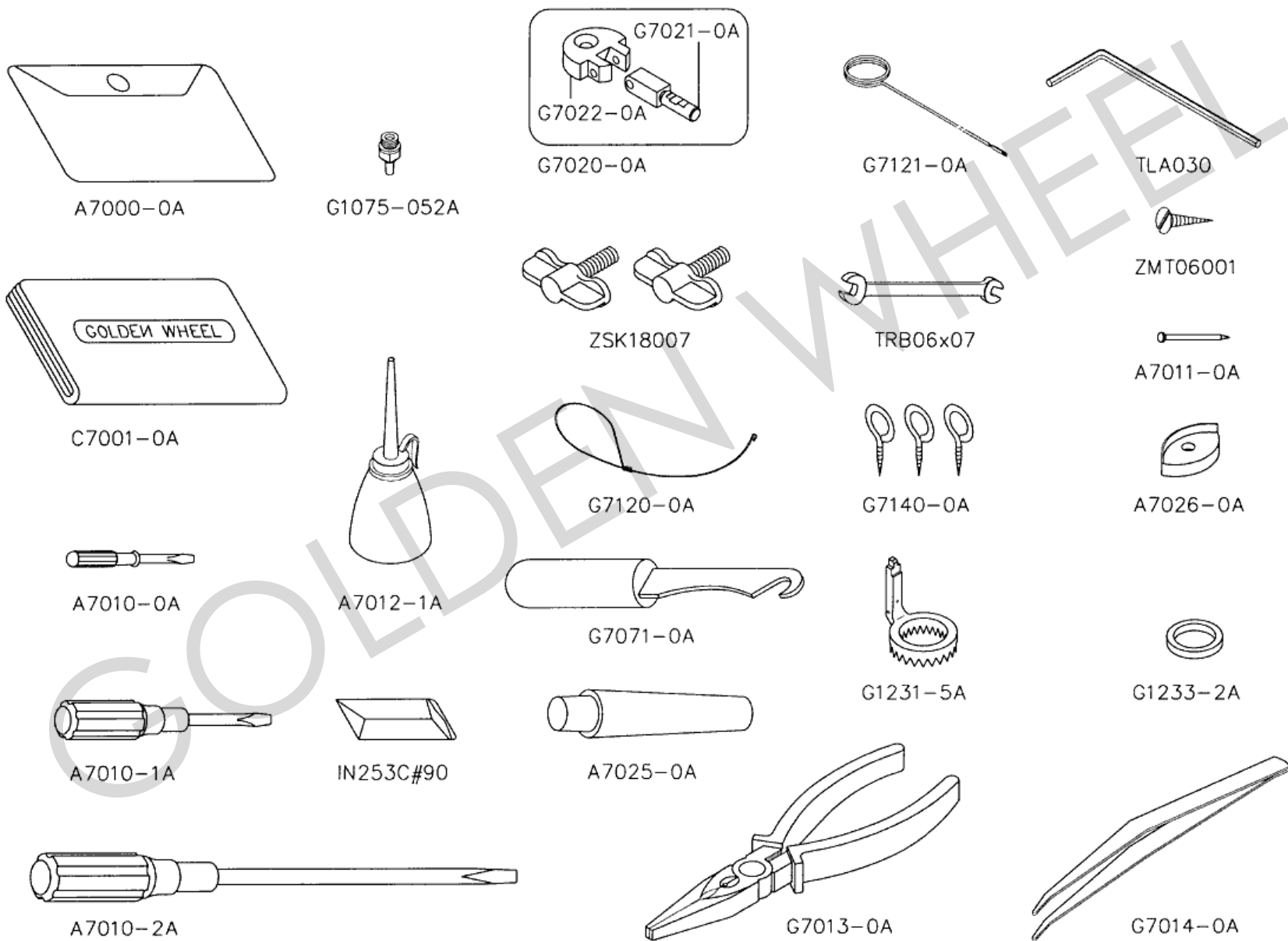
J.CS-530-1, 530-2 旋轉把手車縫機構 STITCH ROTATING HAND LEVER MECHANISM



J、CS-530-1, 530-2 旋轉把手車縫機構 STITCH ROTATING HAND LEVER MECHANISM

零件號碼 Part No	零件名稱	Name of Part	件數 Q, TY	備註 Remarks
G1565-0A	齒輪	Stitch Rotating Gear Bracket Shaft Gear	1	
G1568-0A	齒輪	Stitch Rotating Hand Lever Shaft Gear	1	
G4048-0A	正逆轉控制軸	Stitch Rotating Gear Bracket Shaft (Intermediate)	1	
G4064-0A	導銷	Starting Trip Lever Rod	1	
G4070-0A	方向控制搖動軸	Stitch Rotating Hand Lever Shaft	1	
G4079-0A	旋轉送料軸座	Stitch Rotating Gear Bracket	1	
G4080-0A	套管	Stitch Rotating Bushing	1	
G4106-0A	起動製桿	Starting Trip Lever (Intermediate)	1	
G4391-0A	握柄	Stitch Rotation Hand Lever Handle	1	
G4392-0A	送齒回轉手把	Stitch Rotating Hand Lever With Set Screw	1	
G4393-0A	固定軸	Fixing Rod	1	
G4394-0A	握柄支軸套管	Stitch Rotating Hand Lever Handle Sleeve	1	
G4395-0A	起動桿	Starting Trip Lever	1	
G4396-0A	起動片	Starting Trip Lever Block	1	
G4503-0A	送齒回轉手把組	Stitch Rotating Hand Lever With Set Screw Assy.	1	
WA079004	平墊圈	Washer	1	
YD050014	彈簧銷	Spring Pin	2	
ZSA09004	螺絲	Screw(9/64-40x2.8)	1	
ZSA14004	螺絲	Screw(7/32-32x10)	1	
ZSB11007	螺絲	Screw(11/64-40x7)	1	
ZSB11046	螺絲	Screw(11/64-40x5)	1	
ZSB12016	螺絲	Screw(3/16-32x10)	1	
ZSB12032	螺絲	Screw(3/16-32x6.5)	1	
ZSB15009	螺絲	Screw(15/64-28x13)	3	
ZSB15027	螺絲	Screw(15/64-28x7)	1	
ZSG12018	螺絲	Screw(3/16/32)	1	
ZSK12012	螺絲	Screw(3/16-32)	1	

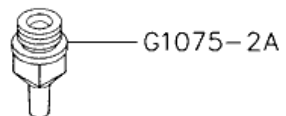
K.CS-530-1 , 530-2 附件 ACCESSORIES



K、CS-530-1, 530-2 附件 ACCESSORIES

零件號碼 Part No	零件名稱	Name of Part	件數 Q, TY	備註 Remarks
A7000-0A	工具袋	Accessory Bag	1	
A7010-0A	螺絲起子(小)	Screw Driver (Small)	1	
A7010-1A	螺絲起子(中)	Screw Driver (Medium)	1	
A7010-2A	螺絲起子(大)	Screw Driver (Large)	1	
A7011-0A	鐵釘	Nail	15	
A7012-1A	油壺(中)	Oiler (Medium)	1	
A7025-0A	枕木	Machine Rest Pin (Wood)	1	
A7026-0A	橡膠墊	Vibration Preventing Rubbers	4	
C7001-0A	短車頭蓋	Vinyl Cover	1	
G1075-052A	針榴(1.1)	Nipple (1.1)	1	
G1231-5A	押腳	Presser Foot (Spur)	1	
G1233-2A	橡膠墊	Presser Foot Shoe (Rubber)	3	
G7013-0A	尖嘴鉗	Pliers	1	
G7014-0A	鑷子	Tweezers	1	
G7020-0A	後鈕座組	Machine Hinge Connection	2	
G7021-0A	後鈕	Machine Hinge Connection	2	
G7022-0A	後鈕座	Machine Hinge Connection Seat	2	
G7071-0A	穿線鉤	Thread knife	1	
G7120-0A	勾線鐵絲	Thread Wire	1	
G7121-0A	清潔鐵絲	Cleaning Wire	1	
G7140-0A	洋眼	Screw Eye	3	
IN253C#90	針	Needle	2	
TLA030	六角板手(3mm)	Wrench (3mm)	1	
TRB06x07	開口板手(6x7)	Nipple Wrench (6x7)	1	
ZMT06001	木螺絲	Screw(5.5x25)	2	
ZSK18007	螺絲	Screw(9/32-28)	2	

L.CS-530-1・530-2 針榴詳表 NIPPLE LIST



NO.	規格 (SPECIFICATION)	零件號碼 (PART NO.)
1	0.7	G1075-012A
2	0.8	G1075-022A
3	0.9	G1075-032A
4	1.0	G1075-042A
5	1.1	G1075-052A
6	1.2	G1075-062A
7	1.3	G1075-072A
8	1.4	G1075-082A
9	1.5	G1075-092A
10	1.6	G1075-102A
11	1.7	G1075-112A
12	1.8	G1075-122A

L、CS-530-1, 530-2 針榴詳表 NIPPLE LIST

零件號碼 Part No	零件名稱	Name of Part	件數 Q, TY	備註 Remarks
G1075-012A	針榴	Nipple	1	
G1075-022A	針榴	Nipple	1	
G1075-032A	針榴	Nipple	1	
G1075-A42A	針榴	Nipple	1	
G1075-052A	針榴	Nipple	1	
G1075-062A	針榴	Nipple	1	
G1075-072A	針榴	Nipple	1	
G1075-082A	針榴	Nipple	1	
G1075-092A	針榴	Nipple	1	
G1075-102A	針榴	Nipple	1	
G1075-112A	針榴	Nipple	1	
G1075-122A	針榴	Nipple	1	
G1075-2A	針榴	Nipple	1	

GOLDEN WHEEL

M、CS-530-1, 530-2 零件號碼與頁數對照 NUMERICAL PARTS-LIST

零件號碼 PARTS NO.	頁數 PAGE	零件號碼 PARTS NO.	頁數 PAGE	零件號碼 PARTS NO.	頁數 PAGE	零件號碼 PARTS NO.	頁數 PAGE	零件號碼 PARTS NO.	頁數 PAGE
A7000-0A	22	G1075-092A	24	G1260-0A	4	G1568-0A	20	G4026-0A	14
A7010-0A	22	G1075-102A	24	G1261-0A	4	G1569-0A	12	G4040-0A	16
A7010-1A	22	G1075-112A	24	G1262-0A	4	G1600-2A	2	G4044-0A	16
A7010-2A	22	G1075-122A	24	G1263-0A	4	G1603-2A	6	G4045-0A	16
A7011-0A	22	G1075-2A	6,24	G1264-0A	4	G1618-2A	6	G4046-0A	16
A7012-1A	22	G1079-2A	6	G1270-2A	8	G1619-1A	6	G4047-0A	16
A7025-0A	22	G1080-2A	10	G1271-0A	10	G1619-2A	6	G4048-0A	20
A7026-0A	22	G1081-0A	8	G1272-0A	10	G1620-2A	6	G4063-0A	14
BWRBH14S	16	G1082-0A	4	G1273-0A	10	G1621-2A	6	G4064-0A	20
C7001-0A	22	G1100-2A	4	G1274-0A	10	G1622-0A	6	G4070-0A	20
G1010-2A	2	G1101-2A	4	G1275-0A	10	G1623-0A	6	G4079-0A	20
G1012-2A	2	G1103-2A	4	G1276-0A	10	G1624-2A	6	G4080-0A	20
G1020-0A	18	G1104-0A	4	G1277-2A	10	G1641-2A	12	G4106-0A	20
G1021-0A	18	G1105-0A	4	G1280-0A	8	G1642-0A	12	G4381-0A	18
G1025-0A	18	G1106-0A	4	G1281-0A	8	G1643-0A	12	G4382-0A	18
G1026-0A	18	G1107-0A	4	G1282-0A	8	G1644-0A	12	G4383-0A	18
G1027-0A	18	G1110-2A	12	G1283-0A	8	G1645-2A	12	G4384-0A	18
G1028-0A	18	G1111-2A	12	G1286-0A	8	G1646-0A	12	G4391-0A	20
G1070-2A	6	G1121-2A	16	G1311-0A	8	G1647-0A	12	G4392-0A	20
G1075-012A	24	G1180-2A	8	G1312-0A	8	G1648-0A	12	G4393-0A	20
G1075-022A	24	G1185-2A	6	G1317-0A	2	G1649-0A	12	G4394-0A	20
G1075-032A	24	G1186-2A	6	G1318-2A	8	G3510-2A	6	G4395-0A	20
G1075-042A	24	G1200-0A	10	G1319-2A	8	G3511-2A	8	G4396-0A	20
G1075-052A	22	G1231-2A	8	G1340-2A	6	G4010-0A	14	G4503-0A	20
G1075-052A	24	G1231-5A	22	G1421-0A	6	G4013-0A	14	G6005-0C	14
G1075-062A	24	G1233-2A	8,22	G1422-0A	6	G4014-0A	14	G6014-0A	14
G1075-072A	24	G1234-0A	8	G1565-0A	12,16,20	G4020-0A	16	G6019-0A	14
G1075-082A	24	G1257-0A	4	G1567-0A	16	G4021-0A	16	G6050-0A	14

M、CS-530-1, 530-2 零件號碼與頁數對照 NUMERICAL PARTS-LIST

零件號碼 PARTS NO.	頁數 PAGE	零件號碼 PARTS NO.	頁數 PAGE	零件號碼 PARTS NO.	頁數 PAGE	零件號碼 PARTS NO.	頁數 PAGE	零件號碼 PARTS NO.	頁數 PAGE
G6100-0A	14	ZSA11009	6	ZSB16009	8	ZSL14005	16		
G7013-0A	22	ZSA14002	4, 10	ZSB18005	4	ZSL16008	16		
G7014-0A	22	ZSA14004	20	ZSB36001	2	ZSN16004	18		
G7020-0A	22	ZSA15021	4	ZSC06004	6	ZSN20001	8		
G7021-0A	22	ZSB08018	8	ZSD12004	8	ZSN22001	8		
G7022-0A	22	ZSB09012	12, 14	ZSF09002	2				
G7071-0A	22	ZSB09017	12, 18	ZSF12001	14				
G7120-0A	22	ZSB11007	4, 20	ZSF20001	8				
G7121-0A	22	ZSB11009	6	ZSF22001	8				
G7140-0A	22	ZSB11013	2	ZSG09012	6				
IN253C#90	6, 22	ZSB11046	12, 16, 20	ZSG12018	10, 20				
TLA030	22	ZSB11054	8	ZSG12019	18				
TRB06x07	22	ZSB11056	4	ZSG12022	16				
WA079004	20	ZSB11057	2	ZSG14002	10				
WB051001	16	ZSB12016	20	ZSG14003	12				
WC079003	18	ZSB12028	14	ZSG16012	16				
YA015098	14	ZSB12029	8	ZSH15001	4, 12				
YA018087	8	ZSB12030	2	ZSH15002	4				
YA030100	6	ZSB12032	20	ZSK11010	8				
YB020016	6	ZSB12033	16	ZSK11011	2				
YB030015	4	ZSB12034	12	ZSK11013	6, 8				
YD030012	2, 14	ZSB12035	18	ZSK12011	18				
YD030014	2	ZSB12049	6	ZSK12012	20				
YD030020	12	ZSB12050	8	ZSK14002	2				
YD050014	16, 20	ZSB15009	16, 18, 20	ZSK14003	16				
ZMT06001	22	ZSB15027	20	ZSK18007	22				
ZSA09004	20	ZSB15028	14	ZSL12003	16, 18				
ZSA11004	6, 14, 16	ZSB15030	12	ZSL14004	16				